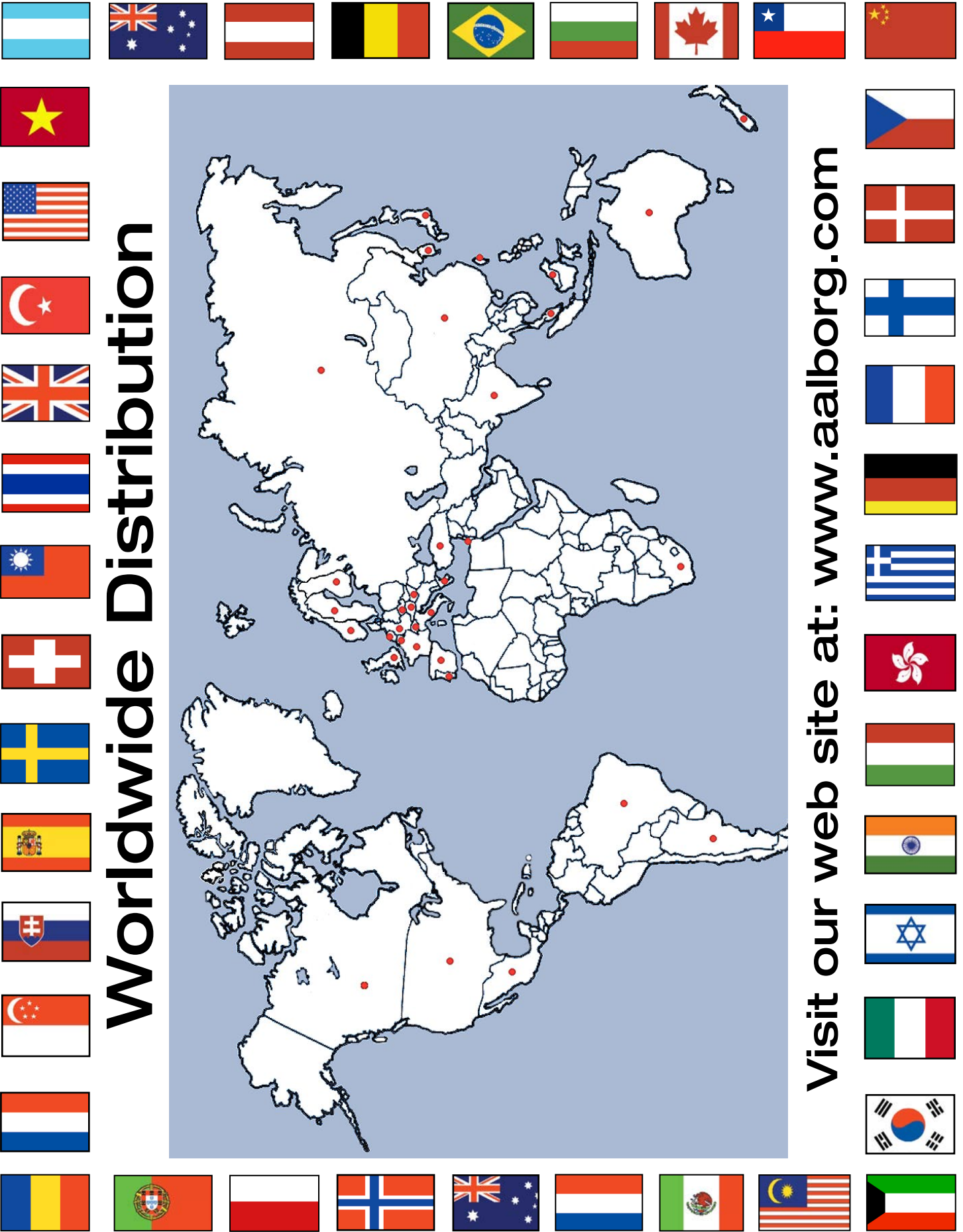


# Digital and Analog Flow Meters and Controllers



# AALBORG





# Worldwide Distribution

Visit our web site at: [www.aalborg.com](http://www.aalborg.com)



|   |   |
|---|---|
| <p><b>About the Company</b></p>               | <p>Founded in 1972, Aalborg is well-known throughout the world as a primary manufacturer of precision instrumentation for flow measurement and control.</p> <p><b>We operate two divisions:</b></p> <p><b>The Electronics Division</b> produces analog and digital mass flow meters and controllers, as well as a diverse line of wafer and insertion type vortex flow meters for steam, liquid or gases. In addition a line of peristaltic pumps, stepping motor driven valves made in this department are highly useful in processing and OEM applications.</p> <p><b>The Variable Area Division</b> manufactures a complete line of glass tube rotameters. These flow meters are available with aluminum, brass, stainless steel or PTFE wetted components. Aalborg also manufactures a unique line of PFA tube meters for ultrapure or corrosive applications. Precision barstock stainless steel or brass needle valves, as well as PTFE valves, are also manufactured in this division.</p> |
| <p><b>NIST Traceability</b></p>               | <p>All equipment used for flow calibrations are traceable to NIST.</p>  |
| <p><b>Accredited Calibration Services</b></p> | <p>AALFA-KAL Metrology Laboratory, division of Aalborg Instruments &amp; Controls is accredited by A2LA in conformance to ISO17025/2005 and to Z540-1/1994. Gas flow calibrations up to 50L/min are performed according Scope of Accreditation - Certificate Number: 3989.01.</p>   |
| <p><b>Technical Assistance</b></p>            | <p>Technical Assistance is readily available. Customers are invited to contact the company or our distributors to discuss individual requirements. OEM applications are welcome.</p>  |
| <p><b>ISO9001/2015 Certification</b></p>      | <p>Aalborg has been ISO 9001 certified since April of 1995. We are very proud of the design features and the exceptionally high quality for which our products which have been known since 1972. It is our policy that through strict enforcement of exacting manufacturing standards the Aalborg brand name continues to be associated with a reputation of high quality and reliability. Our products are backed by meticulous innovative engineering combined with efficient manufacturing practices and a highly skilled work force guaranteeing total customer satisfaction.</p>   |
| <p><b>Our Mission</b></p>                     | <p>It is the policy of Aalborg to develop, produce and deliver products and services which consistently conform to or exceed customer requirements.</p> <p>Our commitment is to provide cutting-edge technology combined with a sincere desire to serve our customers and produce the highest quality products attainable.</p>  |

# Table of Contents

|            |  |   |                |
|------------|--|---|----------------|
| <b>CAL</b> | <b>Calibrations, Services And Certificates</b>                             |     | <b>Page 1</b>  |
| <b>GFM</b> | <b>Mass Flow Meters</b>  |    | <b>Page 13</b> |
| <b>XFM</b> | <b>Digital Mass Flow Meters</b>  |     | <b>Page 19</b> |
| <b>ZFM</b> | <b>Digital Mass Flow Meters</b>  |   | <b>Page 27</b> |
| <b>DPM</b> | <b>Multi-Parameter - Multi-Gas Mass Flow Meter</b>                         |    | <b>Page 33</b> |
| <b>GFC</b> | <b>Mass Flow Controllers</b>   |  | <b>Page 40</b> |
| <b>DPC</b> | <b>Precision Digital Mass Flow Controller with Multi-Gas Functionality</b> |   | <b>Page 45</b> |
| <b>TIO</b> | <b>Totalizer Input/Output Flow Monitor/Controller</b>                      |  | <b>Page 53</b> |
| <b>DFC</b> | <b>Digital Mass Flow Controllers</b>                                       |   | <b>Page 58</b> |

**AFC**

**Analog Mass Flow Controllers**

**Page 66**



**SDPROC**

**Microprocessor Driven Command Modules**

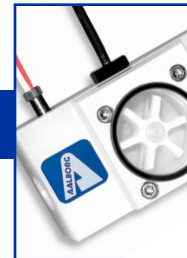
**Page 72**



**PWM**

**Paddle Wheel Flow Meters**

**Page 76**



**PWE**

**Digital Paddle Wheel Flow Meter**

**Page 77**



**PSV**

**Liquid and Gas Flow Regulators**

**Page 82**



**SMV**

**Stepping Motor Valves**

**Page 87**



**SMVI**

**Intelligent Control Valve**

**Page 89**



**CON**

**Conversion Factors**

**Page 93**

**Warranty**

**Page 94**

## **NIST Traceable Calibrations**

Our laboratories are fully equipped to perform NIST traceable flow calibrations for Rotameters, Mass Flow Meters and Mass Flow Controllers.

We offer calibration services on meters and controllers of other manufacturers' products as well.

AALFA-KAL laboratory is equipped to calibrate Molboxes. Our technicians are trained and certified by the manufacturer of Molboxes and Moblocs.

For fast cost effective service please contact our customer service department.

## **A2LA Accredited Calibrations**

AALFA-KAL Metrology Laboratory, division of Aalborg Instruments & Controls is accredited by A2LA in conformance to ISO17025/2005 and to Z540-1/1994. Gas flow calibrations up to 50L/min are performed according to Scope of Accreditation - Certificate Number: 3989.01.

## **Compliance Qualifications**

**Extensive set of Molbox/Molblocs ensure conveniently overlapping calibration ranges.**

- ANSI/NCSL Z540-1-1994
- ISO9001/2015 CERTIFIED
- MIL-STD-456624A
- ISO17025 Accredited

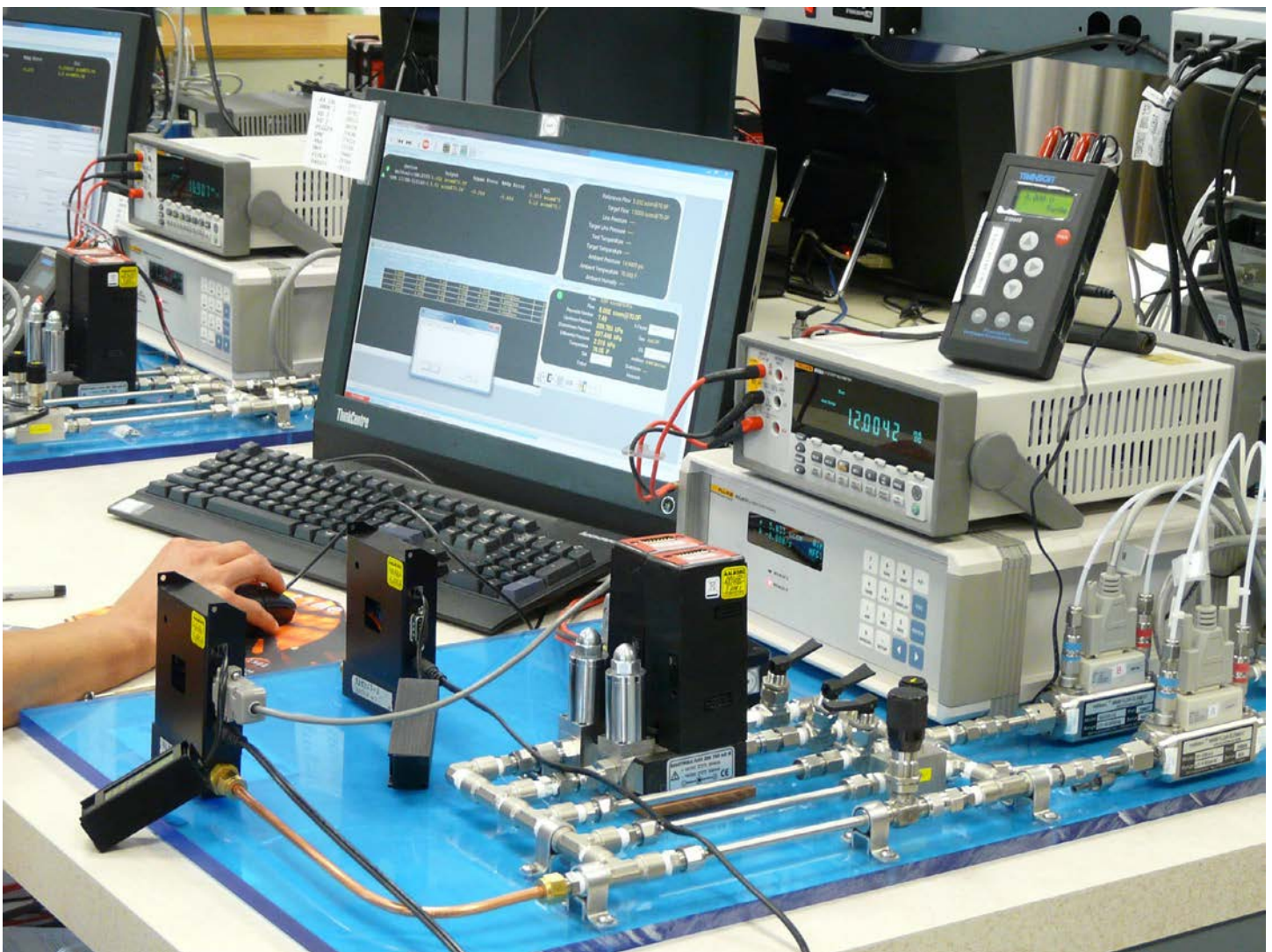
*Partial view of the gas calibration laboratory.*



Technicians calibrating Flow Controllers using Bell Provers and Molbox/Molblocs technology.



**Close-up view of Molbox/Molblocs equipment supported by COMPASS software for calibrating GFM flow meters.**



**Link for an explanation how to use Molbox/Molblocs method of calibrations of Flow Meters and Controllers.**

<http://www.youtube.com/watch?v=FVDqrW5y70A>

## Pressure Limits Of Calibrations

**Up to 500 PSIG for routine gases (Air, N<sub>2</sub>, He and Ar) with a maximum flow of 250 L/min. Up to 80 PSIG for Air, with a maximum flow of 1000 L/min.**

Customer calibrations are represented by primary SI flow units.

- Gas calibrations for up to 1000 L/min and water calibrations up to 4 L/min available.
- Calibrated to NIST traceable standards.



**Bell prover used by technician in calibrating high flow capacity flow meter.**





Terminal shown for low-flow Flow Controller calibration supported by Aalborg SDPROC software.

Piston Gauge, model 7601 with gas operated, gas lubricated piston-cylinder module. It supports definition of pressure against a vacuum reference.



**OPERATING MODES:** Gauge, Absolute and Differential.

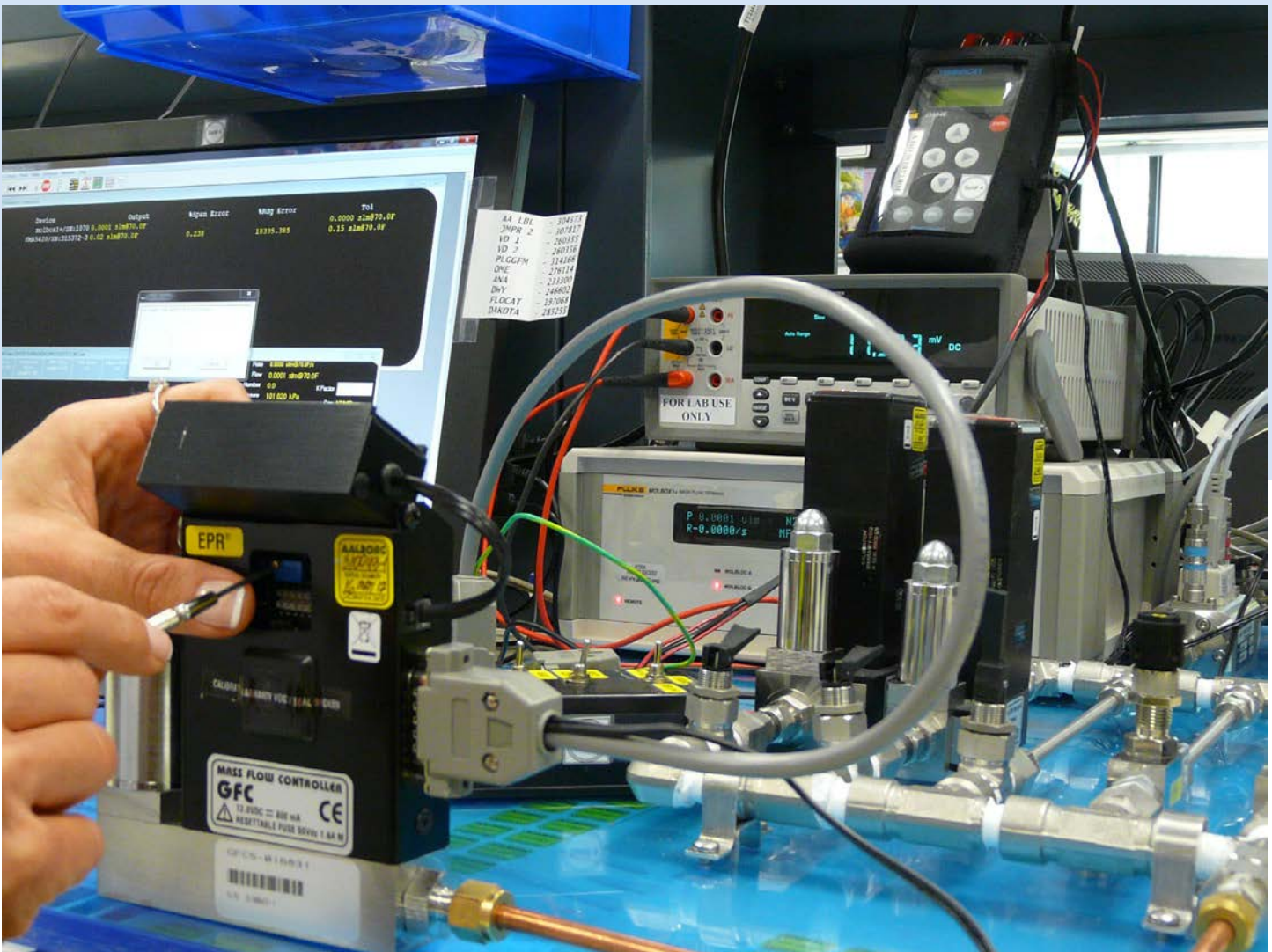
**OVERALL SPECIFICATION FOR PRESSURE MEASUREMENT:**

Sensitivity: 0.02Pa +0.5 ppm  
 Reproducibility: +/-4 ppm  
 Measurement Uncertainty (k=2): +/- (0.5Pa + 20 ppm)

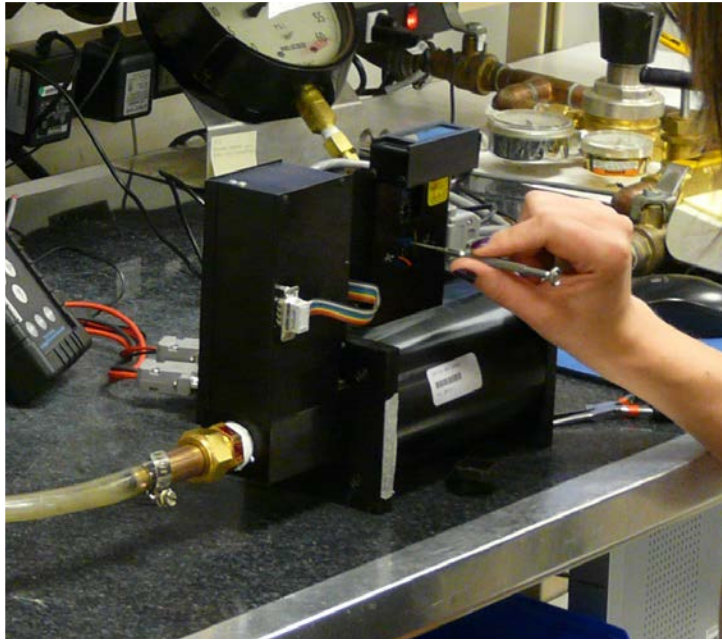
**Suitable for Molbox 1+ A350/A700**



Our gas calibration laboratory has NIST traceable approved in-house equipment to certify our calibration devices. Molbox/Molblocs based calibration for GFC Flow Controller.



Our technicians are trained and certified and our Laboratory is equipped to calibrate Molboxes. In addition, our laboratory can calibrate NIST traceable approved “In-House” equipment to certify our primary calibration devices. We also calibrate and certify customers’ Molboxes. For fast cost effective service please contact our customer service department.



Gas flow calibration laboratory is capable of performing calibrations from 1 mL/min to 1000 L/min at 21.1 °C /101.325 kPa (70 °F, 14.69 PSI abs).



According to “state of the art” calibrating practices, calibrations are performed based on 4 to 1 uncertainty ratio.



**Specialized software applied to calibration of Flow Meter.**

**EUROPEAN  
SERVICE  
FACILITY**

Authorized Repair and Service Facility  
for Aalborg Thermal Mass Flow Systems

**AALBORG - ANALYT-MTC  
MESSTECHNIK GMBH**

Klosterrunsstraße 18 P.O. Box 1321  
Müllheim D-79379 Germany

Telefon: +49 (0)7631 5545  
Fax: +49 (0)7631 14740  
Website: [www.analyt-mtc.de](http://www.analyt-mtc.de)  
e-mail: [info@analyt-mtc.de](mailto:info@analyt-mtc.de)

175, avenue d'Alsace  
68000 COLMAR  
Tel: 03 89 41 47 78  
Fax: 03 89 41 59 88  
e-mail: [ANALYT\\_MTC@T-online.de](mailto:ANALYT_MTC@T-online.de)

**ASIAN  
SERVICE  
FACILITY**

Authorized Repair and Service Facility  
for Aalborg Thermal Mass Flow Systems

**AALBORG -Beijing Comity  
MEASURE & CONTROL CO.**

Floor 1 Tower B Jindayuan Office Building  
Xisanqi, Hai Dian District, Beijing, China

Phone: 86-10-6295-0464, 86-10-6295-0465  
Fax: 86-10-6295-0466  
Website: <http://www.comity-tec.com>



**Typical Bell Prover  
used for NIST traceable calibrations**





**Accredited Laboratory**

A2LA has accredited

**AALFA - KAL METROLOGY LABORATORY,  
DIVISION OF AALBORG INSTRUMENTS & CONTROLS, INC.**  
Orangeburg, NY

for technical competence in the field of

**Calibration**

This laboratory is accredited in accordance with the recognized International Standard ISO/IEC 17025:2005 *General requirements for the competence of testing and calibration laboratories*. This laboratory also meets the requirements of ANSI/NCSL Z540-1-1994 and R205 – Specific Requirements: Calibration Laboratory Accreditation Program. This accreditation demonstrates technical competence for a defined scope and the operation of a laboratory quality management system (refer to joint ISO-ILAC-IAF Communiqué dated April 2017).



Presented this 26<sup>th</sup> day of April 2018.

*[Signature]*  
President and CEO  
For the Accreditation Council  
Certificate Number 3989.01  
Valid to April 30, 2020

For the calibrations to which this accreditation applies, please refer to the laboratory's Calibration Scope of Accreditation.



American Association for Laboratory Accreditation



Has Attended the

*ISO/IEC 17025 and Accreditation Course*

- ISO 17025
- Documentation
- Internal Auditing

Sponsored by the

*American Association for Laboratory Accreditation*

Scottsdale, AZ  
1.5 CEUS Awarded  
February 29-March 2, 2012

*[Signature]*  
Dawn Mettler  
Consultant





SCOPE OF ACCREDITATION TO ISO/IEC 17025:2005  
& ANSI/NCSL Z540-1-1994

AALFA - KAL METROLOGY LABORATORY,  
DIVISION of AALBORG INSTRUMENTS & CONTROLS, INC.  
20 Corporate Dr.  
Orangeburg, NY 10962  
Mr. Stefan Radecki Phone: 845 770 3000

CALIBRATION

Valid To: April 30, 2020

Certificate Number: 3989.01

In recognition of the successful completion of the A2LA evaluation process, accreditation is granted to this laboratory to perform the following calibrations<sup>1</sup>:

I. Fluid Quantities

| Parameter  | Range                 | CMC <sup>2,3</sup> (±) | Comments  |
|------------|-----------------------|------------------------|---|
| Flow – Gas | Up to 20 SCCM         | 0.18 %                 | DHI Molbox-1<br>(Air, He, Arg, CO <sub>2</sub> ,<br>O <sub>2</sub> , N <sub>2</sub> ) |
|            | (8 to 100) SCCM       | 0.18 %                 |   |
|            | (16 to 200) SCCM      | 0.18 %                 |   |
|            | (32 to 400) SCCM      | 0.18 %                 |   |
|            | (80 to 1000) SCCM     | 0.18 %                 |   |
|            | (160 to 2000) SCCM    | 0.18 %                 |   |
|            | (800 to 10 000) SCCM  | 0.18 %                 |   |
|            | (1600 to 20 000) SCCM | 0.19 %                 |   |
|            | (4000 to 50 000) SCCM | 0.27 %                 |   |

<sup>1</sup> This laboratory offers commercial calibration services.

<sup>2</sup> Calibration and Measurement Capability Uncertainty (CMC) is the smallest uncertainty of measurement that a laboratory can achieve within its scope of accreditation when performing more or less routine calibrations of nearly ideal measurement standards or nearly ideal measuring equipment. CMCs represent expanded uncertainties expressed at approximately the 95 % level of confidence, usually using a coverage factor of  $k=2$ . The actual measurement uncertainty of a specific calibration performed by the laboratory may be greater than the CMC due to the behavior of the customer's device and to influences from the circumstances of the specific calibration.

<sup>3</sup> In the statement of CMC, percentages represent the percent of reading unless otherwise noted.

## Design Features

- Rigid metallic construction.
- Maximum pressure of 1000 psig (70 bars).
- Leak integrity  $1 \times 10^{-9}$  of helium.
- NIST traceable certification.
- Built-in tiltable LCD readout.
- 0-5 Vdc and 4-20 mA signals.
- Circuit protection.
- Can be used as a portable device.
- Engineering units or 0 to 100% displays.
- TIO Totalizer option.

Typical Aluminum GFM Mass Flow Meter



## Principles of Operation

Metered gases are divided into two laminar flow paths, one through the primary flow conduit, and the other through a capillary sensor tube. Both flow conduits are designed to ensure laminar flows and therefore the ratio of their flow rates is constant.

Two precision temperature sensing windings on the sensor tube are heated, and when flow takes place, gas carries heat from the upstream to the downstream windings. The resultant temperature differential is proportional to the change in resistance of the sensor windings.

A Wheatstone bridge design is used to monitor the temperature dependent resistance gradient on the sensor windings which is linearly proportional to the instantaneous rate of flow.

Output signals of 0 to 5Vdc and 4 to 20mA are generated indicating mass molecular based flow rates of the metered gas.

Flow rates are unaffected by temperature and pressure variations within stated limitations.

## General Description

Compact, self-contained GFM mass flow meters are designed to read flow rates of gases. The rugged design coupled with instrumentation grade accuracy provides versatile and economical means of flow measurement.

Aluminum or stainless steel models with readout options of either engineering units (standard) or 0 to 100 percent displays are available.

The mechanical layout of the design includes an LCD readout built into the top of the transducer. This readout module is tiltable over 90 degrees to provide optimal reading comfort. It is connected to the transducer by a standard modular plug, and is also readily removable for remote reading installations.

GFM 57, 67 and 77  
High Flow Mass Flow Meters



TABLE 1 - SPECIFICATIONS FOR GFM

|                                       |  |
|---------------------------------------|--|
| <b>ACCURACY:</b>                      | <b>GFM 17, 37 and 47:</b> ±1.0% of full scale.<br><b>GFM 57, 67 and 77:</b> ±1.5% of full scale. OPTIONAL ENHANCED ACCURACY: ±1.0% of full scale.  |
| <b>CALIBRATIONS:</b>                  | Performed at standard conditions [14.7 psia (101.4 kPa) and 70 °F (21.1 °C)] unless otherwise requested.   |
| <b>REPEATABILITY:</b>                 | ±0.25% of full scale.  |
| <b>RESPONSE TIME:</b>                 | Generally 2 seconds to within ±2% of actual flow rate over 25 to 100% of full scale.   |
| <b>TEMPERATURE COEFFICIENT:</b>       | 0.15% of full scale / °C.  |
| <b>PRESSURE COEFFICIENT:</b>          | 0.01% of full scale / psi (0.07 bar).  |
| <b>MAXIMUM PRESSURE DROP:</b>         | See Table 3.   |
| <b>GAS AND AMBIENT TEMP.:</b>         | <b>Gas:</b> 32 °F to 122 °F (0 °C to 50 °C). <b>Ambient:</b> 14 °F to 122 °F (-10 °C to 50 °C) - Dry gases only.   |
| <b>OUTPUT SIGNALS:</b>                | Linear 0-5 Vdc. 1000 ohms min. load impedance and 4-20 mA 0-500 Ohms loop resistance.  |
| <b>TRANSDUCER INPUT POWER:</b>        | Universal +12 to +26 Vdc, 200 mA maximum.  |
| <b>TIME CONSTANT:</b>                 | 800 ms.  |
| <b>GAS PRESSURE:</b>                  | 1000 psig (70 bars) maximum GFM 17, 37, 47. 20 psig (1.4 bars) optimum.<br>500 psig (34.5 bars) GFM 57, 67, 77. 20 psig (1.4 bars) optimum.  |
| <b>** MATERIALS IN FLUID CONTACT:</b> | <b>a.</b> Aluminum models GFM Series: anodized aluminum, 316 stainless steel, brass and FKM O-rings.<br><b>b.</b> Stainless steel models GFM17S, 37S,47S, 57S, 67S and 77S: 316 stainless steel and FKM O-rings.<br>Optional O-rings: Buna®, EPR and FFKM.   |
| <b>ATTITUDE SENSITIVITY:</b>          | No greater than +15 degree rotation from horizontal to vertical; standard calibration is in horizontal position.   |
| <b>CONNECTIONS:</b>                   | <b>GFM 17:</b> 1/4" compression fittings. Optional: 6mm, 3/8" and 1/8" compression fittings or 1/4" VCR®.<br><b>GFM 37:</b> 1/4" compression fittings. Optional: 6mm and 3/8" compression fittings or 1/4" VCR®.<br><b>GFM 47:</b> 3/8" compression fittings.<br><b>GFM 57:</b> 3/8" compression fittings.<br><b>GFM 67:</b> 1/2" compression fittings.<br><b>GFM 77:</b> 3/4" FNPT fittings or 3/4" compression fittings. |
| <b>LEAK INTEGRITY:</b>                | 1 x 10 <sup>-9</sup> sML/sec of helium maximum to the outside environment.   |
| <b>CE COMPLIANT:</b>                  | EN 55011 class 1, class B; EN50082-1.  |

\*\* The selection of materials of construction, is the responsibility of the customer. The company accepts no liability.

Transducers without LCD readout are offered for OEM applications.

GFM mass flow meters are available with flow ranges from 10 mL/min to 1000 L/min N<sub>2</sub>. Gases are connected by means of 1/4", 3/8", 1/2" compression fittings and 3/4" FNPT fittings. Optional fittings are available. These meters may be used as bench top units or mounted by means of screws in the base.

Transducer power supply ports are fuse and polarity protected.

**TABLE 2 - FLOW RANGES FOR GFM**

| GFM 17 LOW FLOW MASS FLOW METERS    |                          |
|-------------------------------------|--------------------------|
| CODE                                | mL/min [N <sub>2</sub> ] |
| 01                                  | 0 to 10                  |
| 02                                  | 0 to 20                  |
| 03                                  | 0 to 50                  |
| 04                                  | 0 to 100                 |
| 05                                  | 0 to 200                 |
| 06                                  | 0 to 500                 |
| CODE                                | L/min [N <sub>2</sub> ]  |
| 07                                  | 0 to 1                   |
| 08                                  | 0 to 2                   |
| 09                                  | 0 to 5                   |
| 10                                  | 0 to 10                  |
| GFM 37 MEDIUM FLOW MASS FLOW METERS |                          |
| 11                                  | 0 to 15                  |
| 30                                  | 0 to 20                  |
| 31                                  | 0 to 30                  |
| 32                                  | 0 to 40                  |
| 33                                  | 0 to 50                  |
| GFM 47 HIGH FLOW MASS FLOW METERS   |                          |
| 40                                  | 0 to 60                  |
| 41                                  | 0 to 80                  |
| 42                                  | 0 to 100                 |
| GFM 57 HIGH FLOW MASS FLOW METERS   |                          |
| 50                                  | 0 to 200                 |
| GFM 67 HIGH FLOW MASS FLOW METERS   |                          |
| 60                                  | 0 to 500                 |
| GFM 77 HIGH FLOW MASS FLOW METERS   |                          |
| 70                                  | 0 to 1000                |

## Leak Integrity

1 x 10<sup>-9</sup> sml/sec of helium max to outside environment.

**TABLE 3 - MAXIMUM PRESSURE DROP FOR GFM**

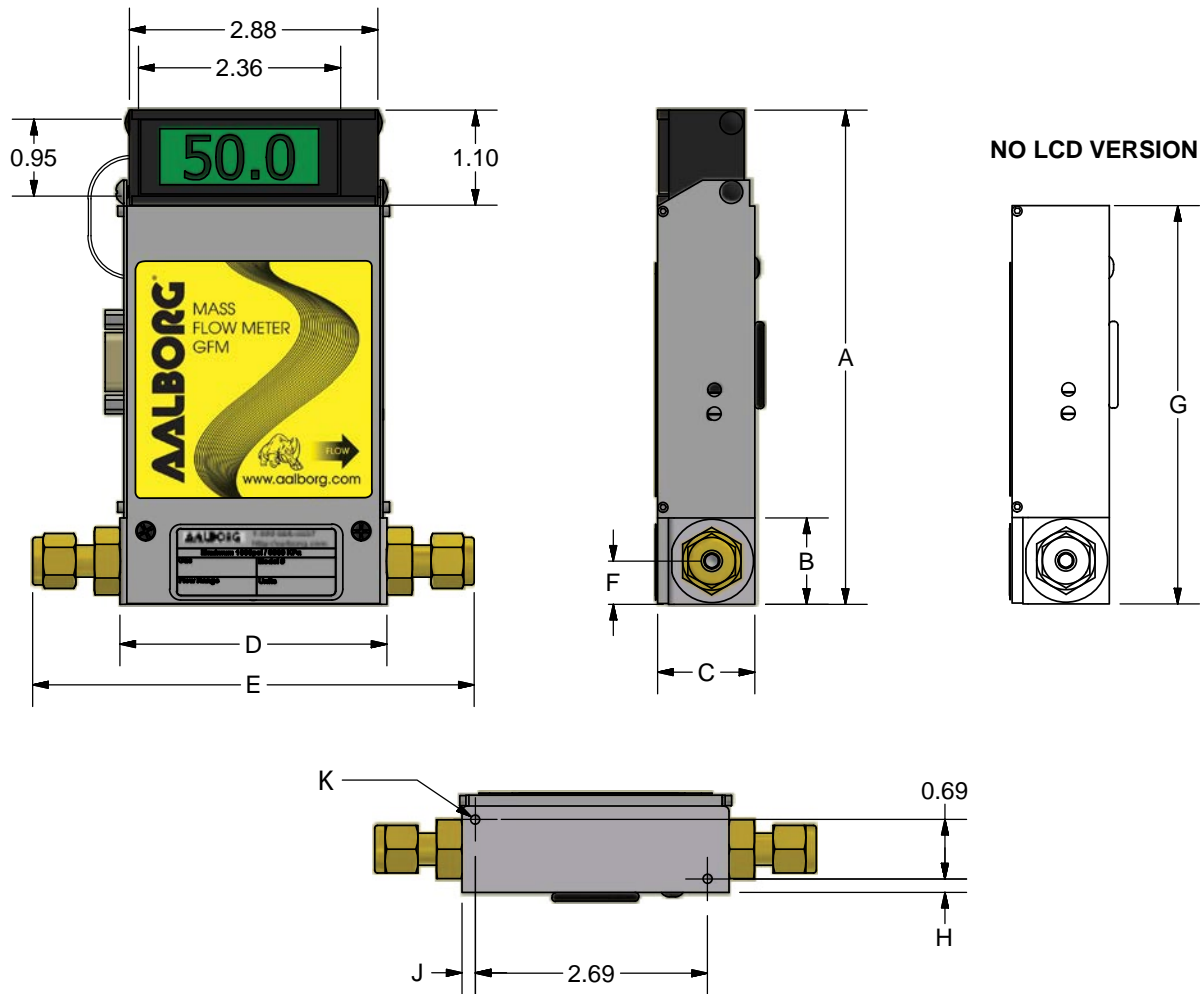
| MODEL  | FLOW RATE<br>[N <sub>2</sub> ]<br>[liters/min] | MAXIMUM PRESSURE DROP |        |        |
|--------|--|-----------------------|--------|--------|
|        |  | [mm H <sub>2</sub> O] | [psid] | [mbar] |
| GFM 17 | up to 10                                       | 25                    | 0.04   | 2.5    |
|        | 20   | 300                   | 0.44   | 30     |
|        | 30   | 800                   | 1.18   | 81     |
| GFM 37 | 40   | 1480                  | 2.18   | 150    |
|        | 50   | 2200                  | 3.23   | 223    |
|        | 60   | 3100                  | 4.56   | 314    |
|        | 80   | 4422                  | 6.5    | 448    |
| GFM 47 | 100  | 5500                  | 8.08   | 557    |
|        | 200  | 2720                  | 4.0    | 280    |
| GFM 57 | 500  | 3400                  | 5.0    | 340    |
| GFM 67 | 1000   | 6120                  | 9.0    | 620    |

**TABLE 4 - ACCESSORIES FOR GFM**

| POWER SUPPLY - BATTERY PACK - CABLES |   |
|--------------------------------------|---|
| PS-GFM-110NA-2                       | Power Supply, 110 V / 12 Vdc /North America             |
| PS-GFM-110NA-4                       | Power Supply, 110 V / 24 Vdc /North America             |
| PS-GFM-230EU-2                       | Power Supply, 220 V / 12 Vdc /Europe                    |
| PS-GFM-230EU-4                       | Power Supply, 220 V / 24Vdc /Europe                     |
| PS-GFM-240UK-2                       | Power Supply 240 V / 12 Vdc /United Kingdom             |
| PS-GFM-240UK-4                       | Power Supply 240 V / 24 Vdc /United Kingdom             |
| PS-GFM-240AU-2                       | Power Supply 240 V / 12 Vdc /Australia                  |
| PS-GFM-240AU-4                       | Power Supply 240 V / 24 Vdc /Australia                  |
| BP110                                | Battery Pack, 110 V (includes case)                     |
| BP220                                | Battery Pack, 220 V (includes case)                     |
| CBL-D4                               | Cable with 9-pin D-connector, (4 - 20 mA)               |
| CBL-D5                               | Cable with 9-pin D-connector, (0 to 5 Vdc)              |
| 17/3RC                               | 17/3RC Remote cable, 3 ft long                          |
| 17/R                                 | 17/R Remote LCD readout with 3 ft long cable            |
| TIO-LAA2                             | Totalizer I/O Monitor, RS-232 Digital Interface         |
| TIO-LAA5                             | Totalizer I/O Monitor, RS-485 Digital Interface         |
| KIT-TM-DD                            | GFM Flow Meter Mounting Kit with Two 9 Pin D-Connectors |

**For Totalizer Input/ Output Flow Monitor/ Controller options see page 56.**

GFM 17, 37 and 47 Mass Flow Meters



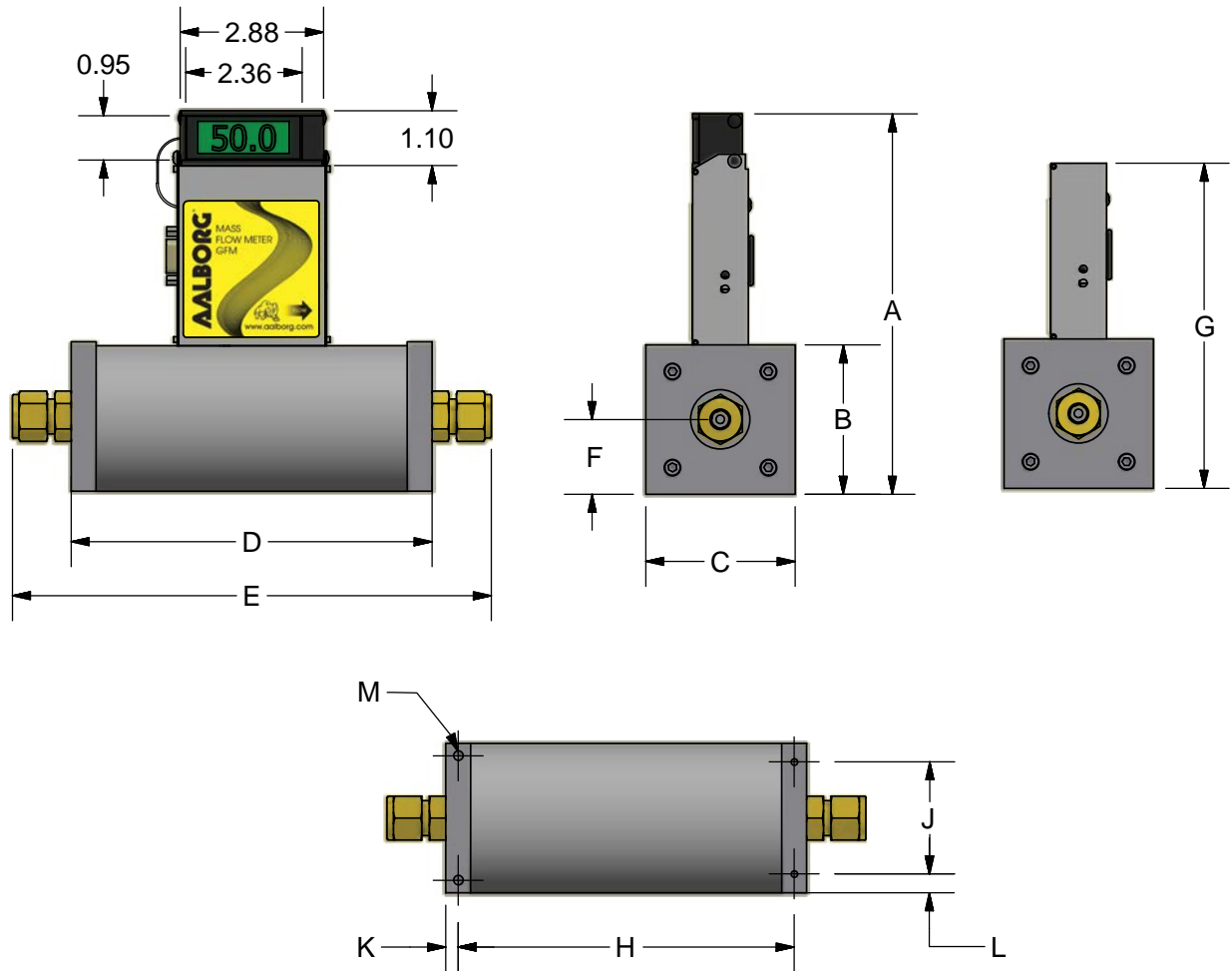
NOTE: Aalborg® reserves the right to change designs and dimensions at its sole discretion at any time without notice. For certified dimensions please contact Aalborg®.

TABLE 5 - DIMENSIONS FOR GFM 17, 37 AND 47 MODELS

| MODEL  | CONNECTION COMPRESSION FITTING | DIMENSION INCH (MM) |                |                |                 |                 |                |                 |               |                |                |  |
|--------|--------------------------------|---------------------|----------------|----------------|-----------------|-----------------|----------------|-----------------|---------------|----------------|----------------|--|
|        |                                | LCD VERSION         |                |                |                 |                 |                | NO LCD          | MOUNTING HOLE |                |                |  |
|        |                                | A                   | B              | C              | D               | E               | F              |                 | H             | J              | K              |  |
| GFM 17 | 1/4" Tube O Diameter           | 5.72<br>(145.3)     | 1.00<br>(25.4) | 1.13<br>(28.6) | 3.09<br>(78.6)  | 5.10<br>(129.6) | 0.5<br>(12.7)  | 4.61<br>(117.1) | 0.16<br>(4.0) | 0.16<br>(4.0)  | 6-32<br>x 0.13 |  |
| GFM 37 | 1/4" Tube O Diameter           | 6.10<br>(154.9)     | 1.38<br>(34.9) | 1.25<br>(31.8) | 4.13<br>(104.8) | 6.13<br>(155.8) | 0.63<br>(15.9) | 4.99<br>(126.7) | 0.28<br>(7.1) | 1.08<br>(27.3) | 6-32<br>x 0.10 |  |
| GFM 47 | 3/8" Tube O Diameter           | 6.10<br>(154.9)     | 1.38<br>(34.9) | 1.25<br>(31.8) | 4.13<br>(104.8) | 6.25<br>(158.7) | 0.63<br>(15.9) | 4.99<br>(126.7) | 0.28<br>(7.1) | 1.08<br>(27.3) | 6-32<br>x 0.10 |  |

For Specific Flow Ranges Contact Aalborg Customer Service Department.

### GFM 57, 67 and 77 Mass Flow Meters



NOTE: Aalborg® reserves the right to change designs and dimensions at its sole discretion at any time without notice. For certified dimensions please contact Aalborg®.

**TABLE 6 - DIMENSIONS FOR GFM 57, 67 AND 77 MODELS**

| MODEL  | CONNECTION<br>COMPRESSION<br>FITTING<br>(except model GFM 77) | DIMENSION (INCH) |                 |                 |                 |                 |                |                 |                 |                |                |                |                  |
|--------|---|------------------|-----------------|-----------------|-----------------|-----------------|----------------|-----------------|-----------------|----------------|----------------|----------------|------------------|
|        |   | LCD VERSION      |                 |                 |                 |                 |                | NO LCD          | MOUNTING HOLE   |                |                |                |                  |
|        |   | A                | B               | C               | D               | E               | F              | G               | H               | J              | K              | L              | M                |
| GFM 57 | 3/8" Tube O Diameter  | 6.73<br>(170.8)  | 2.00<br>(80.8)  | 1.75<br>(44.5)  | 6.69<br>(169.8) | 8.81<br>(223.7) | 0.88<br>(22.2) | 5.62<br>(142.6) | 4.69<br>(119.0) | 1.39<br>(35.3) | 1.00<br>(25.4) | 0.18<br>(4.6)  | 10-24<br>x 0.25  |
| GFM 67 | 1/2" Tube O Diameter  | 7.64<br>(194.0)  | 3.00<br>(76.2)  | 3.00<br>(76.2)  | 7.25<br>(184.2) | 9.65<br>(245.1) | 1.5<br>(38.1)  | 6.53<br>(165.8) | 6.75<br>(171.5) | 2.25<br>(57.2) | 0.25<br>(6.4)  | 0.38<br>(9.5)  | 1/4-20<br>x 0.35 |
| GFM 77 | 3/4" NPT Female   | 8.66<br>(220.0)  | 4.00<br>(101.6) | 4.00<br>(101.6) | 7.30<br>(185.4) | -               | 2.00<br>(50.8) | 7.55<br>(191.8) | 6.80<br>(172.7) | 3.00<br>(76.2) | 0.25<br>(6.4)  | 0.50<br>(12.7) | 1/4-20<br>x 0.35 |

For Specific Flow Ranges Contact Aalborg Customer Service Department.

Configure and Order Online: [GFM Mass Flow Meter](#)

|     |                            |                    |   |   |   |   |   |   |   |   |
|-----|----------------------------|--------------------|---|---|---|---|---|---|---|---|
| GFM | MODEL                      |                    |   |   |   |   |   |   |   |   |
|     | MAX FLOW (N <sub>2</sub> ) |                    |   |   |   |   |   |   |   |   |
| 17  | 10 L/min                   |                    |   |   |   |   |   |   |   |   |
| 37  | 50 L/min                   |                    |   |   |   |   |   |   |   |   |
| 47  | 100 L/min                  |                    |   |   |   |   |   |   |   |   |
| 57  | 200 L/min                  |                    |   |   |   |   |   |   |   |   |
| 67  | 500 L/min                  |                    |   |   |   |   |   |   |   |   |
| 77  | 1000 L/min                 |                    |   |   |   |   |   |   |   |   |
|     | MATERIAL                   |                    |   |   |   |   |   |   |   |   |
| A   | Aluminum                   |                    |   |   |   |   |   |   |   |   |
| S   | Stainless Steel            |                    |   |   |   |   |   |   |   |   |
|     | SEALS                      |                    |   |   |   |   |   |   |   |   |
| V   | FKM                        |                    |   |   |   |   |   |   |   |   |
| B   | Buna®                      |                    |   |   |   |   |   |   |   |   |
| E   | EPR                        |                    |   |   |   |   |   |   |   |   |
| T   | FFKM                       |                    |   |   |   |   |   |   |   |   |
|     | FITTINGS                   | MODEL              |   |   |   |   |   |   |   |   |
| A   | 1/4" Compression           | GFM 17, 37         |   |   |   |   |   |   |   |   |
| B   | 1/8" Compression           | GFM 17             |   |   |   |   |   |   |   |   |
| C   | 1/4" VCR®                  | GFM 17, 37         |   |   |   |   |   |   |   |   |
| D   | 3/8" Compression           | GFM 17, 37, 47, 57 |   |   |   |   |   |   |   |   |
| E   | 1/2" Compression           | GFM 67             |   |   |   |   |   |   |   |   |
| F   | 3/4" FNPT                  | GFM 77             |   |   |   |   |   |   |   |   |
| G   | 3/4" Compression           | GFM 77             |   |   |   |   |   |   |   |   |
| H   | 6mm Compression            | GFM 17, 37         |   |   |   |   |   |   |   |   |
|     | DISPLAY                    |                    |   |   |   |   |   |   |   |   |
| N   | No Display                 |                    |   |   |   |   |   |   |   |   |
| L   | LCD Readout                |                    |   |   |   |   |   |   |   |   |
|     | POWER                      |                    |   |   |   |   |   |   |   |   |
| 6   | Universal +12 to +26 Vdc   |                    |   |   |   |   |   |   |   |   |
|     | OUTPUT SIGNAL              |                    |   |   |   |   |   |   |   |   |
| A   | 0-5 Vdc                    |                    |   |   |   |   |   |   |   |   |
| B   | 4-20 mA                    |                    |   |   |   |   |   |   |   |   |
|     | DIGITAL INTERFACE          |                    |   |   |   |   |   |   |   |   |
| 0   | None                       |                    |   |   |   |   |   |   |   |   |
| GFM | 17                         | S                  | - | V | A | L | 6 | - | A | 0 |

**EXAMPLE: GFM17S-VAL6-A0 5 L/min [N<sub>2</sub>] 20 psig**

**SPECIFY: Flow Range, Gas and Pressure** \*n.a. = not applicable.

GFM17 stainless steel, FKM seals, 1/4" compression fittings, display, 12 to 26 Vdc power, 0-5 Vdc, output signal, no digital interface.

### Design Features

- Supports up to 23 Engineering Units (including User Defined).
- Stores calibration data for up to 10 gases.
- Programmable Totalizer indicates total gas quantity.
- High and low gas flow Alarm limits with preset delay interval.
- Two sets of user-programmable electromechanical SPDT relays with latch option.
- User-selectable analog 0-5 Vdc or 4-20mA outputs.
- Internal Conversion factors for up to 32 gases.
- Digital Interface (RS-232 / RS-485, Profibus DP available).
- Multi-Drop Capability of up to 256 units (RS-485 option).
- Optional Profibus DP interface with I&M functionality.
- Automatic sensor zero offset adjustment (via digital interface or local push button).
- Self-Diagnostic Tests.
- Local 2 x 16 characters LCD display\* with adjustable back light (optional).



XFM Digital Mass Flow Meters  
Aluminum and Stainless  
Models Shown

\* LCD display is not available for Profibus DP interface option.



## XFM Digital Mass Flow Meters

The flow rate can be displayed in 23 different volumetric flow or mass flow engineering units including user specific. Flow meters can be programmed remotely via RS-232 /RS-485 or optional Profibus DP interface.

XFM flow meters support various functions including: programmable flow totalizer, high and low flow alarm, automatic zero adjustment, 2 relay outputs, jumper selectable 0-5 Vdc or 4-20 mA analog outputs, status LED diagnostic, capable to store calibration for up to 10 different gases, internal or user-specific K-factors. Optional local 2 x 16 characters LCD display\* with adjustable back light provides Flow, Total and diagnostic reading simultaneously.

### Principle Of Operation

The stream of gas entering the Mass Flow transducer is split by shunting a small portion of the flow through a capillary stainless steel sensor tube. The remainder of the gas flows through the primary flow conduit. The geometry of the primary conduit and the sensor tube are designed to ensure laminar flow in each branch. According to principles of fluid dynamics, the flow rates of a gas in the two laminar flow conduits are proportional to one another. Therefore, the flow rates measured in the sensor tube are directly proportional to the total flow through the transducer. In order to sense the flow in the sensor tube, heat flux is introduced at two sections of the sensor tube by means of precision-wound heater sensor coils. Heat is transferred through the thin wall of the sensor tube to the gas flowing inside. As gas flow takes place, heat is carried by the gas stream from the upstream coil to the downstream coil windings.

The resultant temperature dependent resistance differential is detected by the electronic control circuit. The measured temperature gradient at the sensor windings is linearly proportional to the instantaneous rate of flow taking place. An output signal is generated that is a function of the amount of heat carried by the gases to indicate mass molecular based flow rates. Additionally, the XFM model Mass Flow Meter incorporates a Precision Analog Microcontroller (ARM7TDMI® MCU) and non-volatile memory that stores all hardware specific variables and up to 10 different calibration tables.

\* LCD display is not available for Profibus DP interface option.

### Interface

The digital RS485 or RS-232 interface (optional Profibus DP interface is available) provides access to applicable internal data including: flow, CPU temperature, auto zero, totalizer and alarms settings, gas table, conversion factors and engineering units selection, dynamic response compensation and linearization table adjustment. The analog interface provides 0 to 5Vdc or 4 to 20 mA (jumper selectable) outputs for flow reading.

### Auto Zero

The XFM supports automatic sensor zero offset adjustment which can be activated locally via the maintenance push button or remotely via digital interface. The auto zero feature necessitates a condition of absolutely no flow through the meter during the adjustment process. Provisions are made to either start, read, or save the current auto zero value via digital commands.

### Totalizer

The total volume of the gas is calculated by integrating the actual gas flow rate as a function of time.

#### THE DIGITAL INTERFACE COMMANDS ARE PROVIDED TO:

- SET THE TOTALIZER TO ZERO.
- START THE TOTALIZER AT A PRESET FLOW.
- ASSIGN ACTION AT A PRESET TOTAL VOLUME.
- START/STOP TOTALIZING THE FLOW.
- READ TOTALIZER.

Totalizer conditions become true when the totalizer reading and the "Stop at Total" volumes are equal. In addition, the provision is made to automatically disable Totalizer during sensor warm up period.

### Flow Alarm

High and Low gas flow ALARM limits can be preprogrammed via digital interface. ALARM conditions become true when the current flow reading is equal or higher/lower than corresponding values of high and low alarm levels. Alarm action can be assigned with preset delay interval (0-3600 seconds) to activate the contact closer (separate for High and Low alarm). Latch Mode control feature allows each relay to be latched on or follow the corresponding alarm status.

**TABLE 7 - SPECIFICATIONS**

|                                      |   |
|--------------------------------------|---|
| <b>FLOW MEDIUM:</b>                  | Please note that XFM Mass Flow Meters are designed to work only with clean gases.<br><b>Never</b> try to measure flow rates of liquids with any XFM.  |
| <b>CALIBRATIONS:</b>                 | Performed at standard conditions [14.7 psia (101.4 kPa) and 70 °F (21.1 °C)] unless otherwise requested.  |
| <b>ENVIRONMENTAL (PER IEC 664):</b>  | Installation Level II; Pollution Degree II.   |
| <b>FLOW ACCURACY</b>                 | ±1% of FS at calibration temperature and pressure.  |
| <b>REPEATABILITY:</b>                | ±0.15% of full scale.   |
| <b>FLOW TEMPERATURE COEFFICIENT:</b> | 0.15% of full scale/ °C or better.  |
| <b>FLOW PRESSURE COEFFICIENT:</b>    | 0.01% of full scale/psi (6.895 kPa) or better.  |
| <b>FLOW RESPONSE TIME:</b>           | 600ms time constant; approximately 2 seconds to within ±2% of set flow rate for 25% to 100% of full scale flow.   |
| <b>MAXIMUM GAS PRESSURE:</b>         | XFM07/17/37/47: 1000 psig (6894 kPa gage)<br>XFM57/67/77: 500 psig (3447 kPa gage)  |
| <b>MAXIMUM PRESSURE DROP:</b>        | 0.18 PSID (at 10 L/min flow). 4 psi (at 50 L/min flow).<br>See Table 10 for pressure drops associated with various models and flow rates.   |
| <b>GAS AND AMBIENT TEMPERATURE:</b>  | 32 °F to 122 °F (0 °C to 50 °C). 14 °F to 122 °F (-10 °C to 50 °C) - Dry gases only.  |
| <b>RELATIVE GAS HUMIDITY:</b>        | Up to 70%.  |
| <b>LEAK INTEGRITY:</b>               | 1 x 10 <sup>-9</sup> smL/sec He maximum to the outside environment.   |
| <b>ATTITUDE SENSITIVITY:</b>         | Deviation of up to 1% from stated accuracy, after re-zeroing.   |
| <b>OUTPUT SIGNALS:</b>               | Linear 0-5 Vdc (3000 ohms min load impedance); Linear 4-20 mA (500 ohms maximum loop resistance).<br>Maximum noise 20mV peak to peak (for 0-5 Vdc output).  |
| <b>CONNECTIONS:</b>                  | <b>XFM 07:</b> 1/8" compression fittings. Optional: 1/4" compression fittings.<br><b>XFM 17:</b> 1/4" compression fittings. Optional: 1/8", 3/8", 6 mm compression fittings, 1/4" VCR.<br><b>XFM 37:</b> 1/4" compression fittings. Optional: 3/8", 6 mm compression fittings, 1/4" VCR.<br><b>XFM 47:</b> 3/8" compression fittings.<br><b>XFM 57:</b> 3/8" compression fittings.<br><b>XFM 67:</b> 1/2" compression fittings.<br><b>XFM 77:</b> 3/4" FNPT. Optional: 3/4" compression fittings. |
| <b>TRANSDUCER INPUT POWER:</b>       | 11 to 26 Vdc, 100 mV maximum peak to peak output noise.<br>Power consumption: +12Vdc (200 mA maximum); +24Vdc (100 mA maximum);<br>Circuit board have built-in polarity reversal protection, 300mA resettable fuse provide power input protection.  |
| <b>** FLUID CONTACT:</b>             | Aluminum Models: Anodized aluminum, brass, 316 stainless steel, FKM O-rings.<br>Stainless Steel Models: 316 stainless steel, FKM O-rings.<br>Optional O-ring Materials: Buna-N®, EPR® (Ethylene Propylene), or FFKM.  |
| <b>CAUTION:</b>                      | Aalborg makes no expressed or implied guarantees of corrosion resistance of mass flow meters as pertains to different flow media reacting with components of meters. It is the customers' sole responsibility to select the model suitable for a particular gas based on the fluid contacting (wetted) materials offered in the different models.   |
| <b>DISPLAY:</b>                      | *Optional local 2x16 characters LCD with adjustable backlight (2 lines of text).  |
| <b>CALIBRATION OPTIONS:</b>          | Standard is one 10 points NIST traceable calibration. Optional, up to 9 additional calibrations may be ordered at additional charge.  |
| <b>CE COMPLIANCE:</b>                | EMC Compliance with 89/336/EEC as amended. Emission Standard: EN 55011:1991, Group 1,<br>Class A Immunity Standard: EN 55082-1:1992.  |

\* LCD display is not available for Profibus DP interface option.

\*\*The selection of materials of construction, is the responsibility of the customer. The company accepts no liability.

## Multi-Gas Calibration

The XFM is capable of storing primary calibration data for up to 10 gases. This feature allows the same XFM to be calibrated for multiple gases while maintaining the rated accuracy on each.

## Conversion Factors

Conversion factors for up to 32 gases are stored in the XFM. In addition, provision is made for a user-defined conversion factor. Conversion factors may be applied to any of the ten gas calibrations via digital interface commands.

## Contact Closure

Two sets of electromechanical SPDT relay outputs are provided to actuate user-supplied equipment.

These are programmable via digital interface such that the relays can be made to switch when a specified event occurs (e.g. when a low or high flow alarm limit is exceeded or when the totalizer reaches a specified value) or may be directly controlled by user.

**TABLE 8 - STANDARD FLOW CAPACITIES FOR XFM**

| XFM 07                   | XFM 17                  | XFM 37                  | XFM 47                  | XFM 57                  | XFM 67                  | XFM 77                  |
|--------------------------|-------------------------|-------------------------|-------------------------|-------------------------|-------------------------|-------------------------|
| mL/min [N <sub>2</sub> ] | L/min [N <sub>2</sub> ] | L/min [N <sub>2</sub> ] | L/min [N <sub>2</sub> ] | L/min [N <sub>2</sub> ] | L/min [N <sub>2</sub> ] | L/min [N <sub>2</sub> ] |
| 5                        | 1                       | 20                      | 60                      | 200                     | 500                     | 1000                    |
| 10                       | 2                       | 30                      | 80                      |                         |                         |                         |
| 20                       | 5                       | 40                      | 100                     |                         |                         |                         |
| 50                       | 10                      | 50                      |                         |                         |                         |                         |
| 100                      |                         |                         |                         |                         |                         |                         |
| 200                      |                         |                         |                         |                         |                         |                         |
| 500                      |                         |                         |                         |                         |                         |                         |

**TABLE 9 - MAXIMUM PRESSURE DROP FOR XFM**

| MODEL  | FLOW RATE [liters/min] | MAXIMUM PRESSURE DROP |        |       |
|--------|------------------------|-----------------------|--------|-------|
|        |                        | [mm H <sub>2</sub> O] | [psid] | [kPa] |
| XFM 07 | up to 0.5              | 130                   | 0.18   | 1.275 |
| XFM 17 | up to 10               | 130                   | 0.18   | 1.275 |
| XFM 37 | up to 50               | 2722                  | 3.8    | 26.2  |
| XFM 47 | up to 100              | 1974                  | 11.8   | 81.4  |
| XFM 57 | up to 200              | 2720                  | 4.0    | 27.6  |
| XFM 67 | up to 500              | 3400                  | 5.0    | 34.5  |
| XFM 77 | up to 1000             | 6120                  | 9.0    | 62.0  |

## Leak Integrity

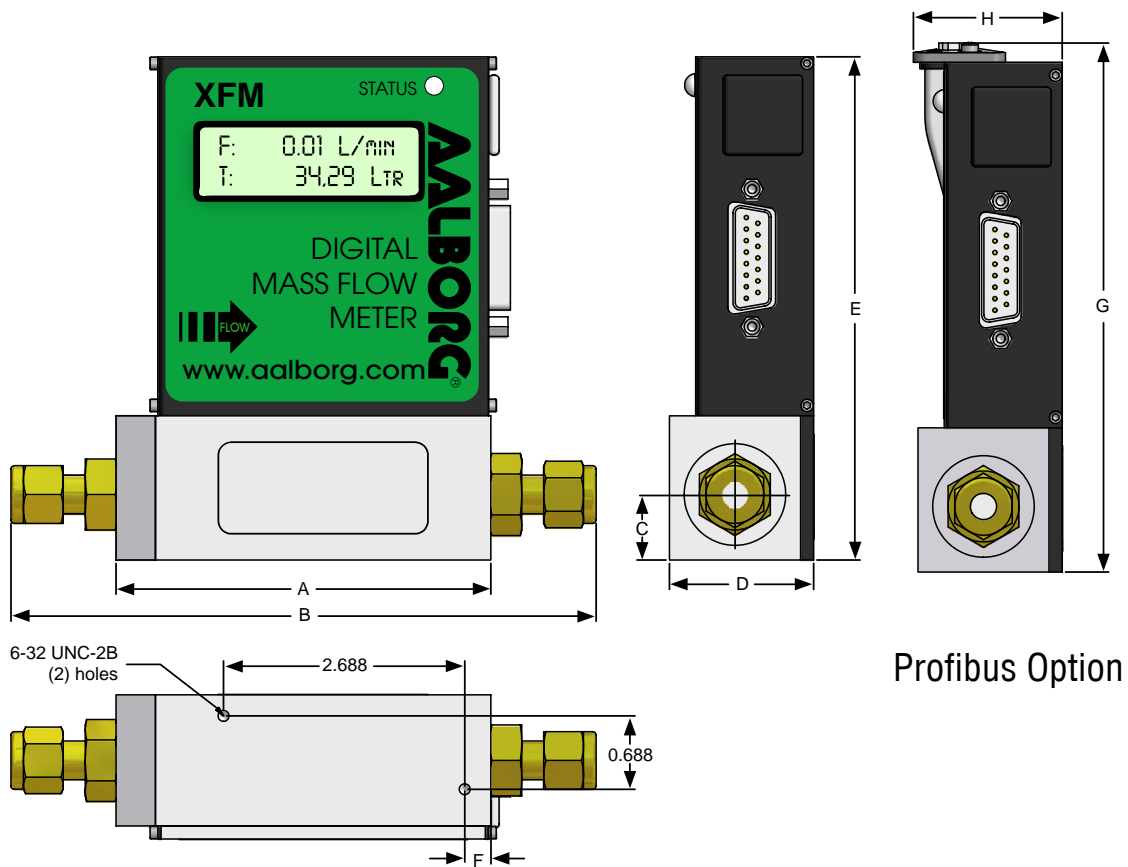
1 x 10<sup>-9</sup> smL/sec of Helium maximum to the outside environment.

## Engineering Units

The measured gas flow and associated totalizer data are scaled directly in engineering units via the digital interface.

**THE FOLLOWING 23 UNITS OF MEASURE ARE SUPPORTED:**

| TABLE 10 - UNITS OF MEASURE FOR XFM |       |                             |                             |                        |
|-------------------------------------|-------|-----------------------------|-----------------------------|------------------------|
| NUMBER                              | INDEX | FLOW RATE ENGINEERING UNITS | TOTALIZER ENGINEERING UNITS | DESCRIPTION            |
| 1                                   | 0     | %                           | %s                          | Percent of full scale  |
| 2                                   | 1     | mL/sec                      | mL                          | Milliliter per second  |
| 3                                   | 2     | mL/min                      | mL                          | Milliliter per minute  |
| 4                                   | 3     | mL/hr                       | mL                          | Milliliter per hour    |
| 5                                   | 4     | L/sec                       | Ltr                         | Liter per second       |
| 6                                   | 5     | L/ min                      | Ltr                         | Liter per minute       |
| 7                                   | 6     | L/hr                        | Ltr                         | Liter per hour         |
| 8                                   | 7     | m <sup>3</sup> /sec         | m <sup>3</sup>              | Cubic meter per second |
| 9                                   | 8     | m <sup>3</sup> / min        | m <sup>3</sup>              | Cubic meter per minute |
| 10                                  | 9     | m <sup>3</sup> /hr          | m <sup>3</sup>              | Cubic meter per hour   |
| 11                                  | 10    | ft <sup>3</sup> /sec        | f <sup>3</sup>              | Cubic feet per second  |
| 12                                  | 11    | ft <sup>3</sup> /min        | f <sup>3</sup>              | Cubic feet per minute  |
| 13                                  | 12    | ft <sup>3</sup> /hr         | f <sup>3</sup>              | Cubic feet per hour    |
| 14                                  | 13    | g/sec                       | g                           | Grams per second       |
| 15                                  | 14    | g/min                       | g                           | Grams per minute       |
| 16                                  | 15    | g/hr                        | g                           | Grams per hour         |
| 17                                  | 16    | kg/sec                      | kg                          | Kilograms per second   |
| 18                                  | 17    | kg/min                      | kg                          | Kilograms per minute   |
| 19                                  | 18    | kg/hr                       | kg                          | Kilograms per hour     |
| 20                                  | 19    | Lb/sec                      | Lb                          | Pounds per second      |
| 21                                  | 20    | Lb/min                      | Lb                          | Pounds per minute      |
| 22                                  | 21    | Lb/hr                       | Lb                          | Pounds per hour        |
| 23                                  | 22    | User                        | UD                          | User defined           |



Profibus Option

NOTE: Aalborg® reserves the right to change designs and dimensions at its sole discretion at any time without notice. For certified dimensions please contact Aalborg®.

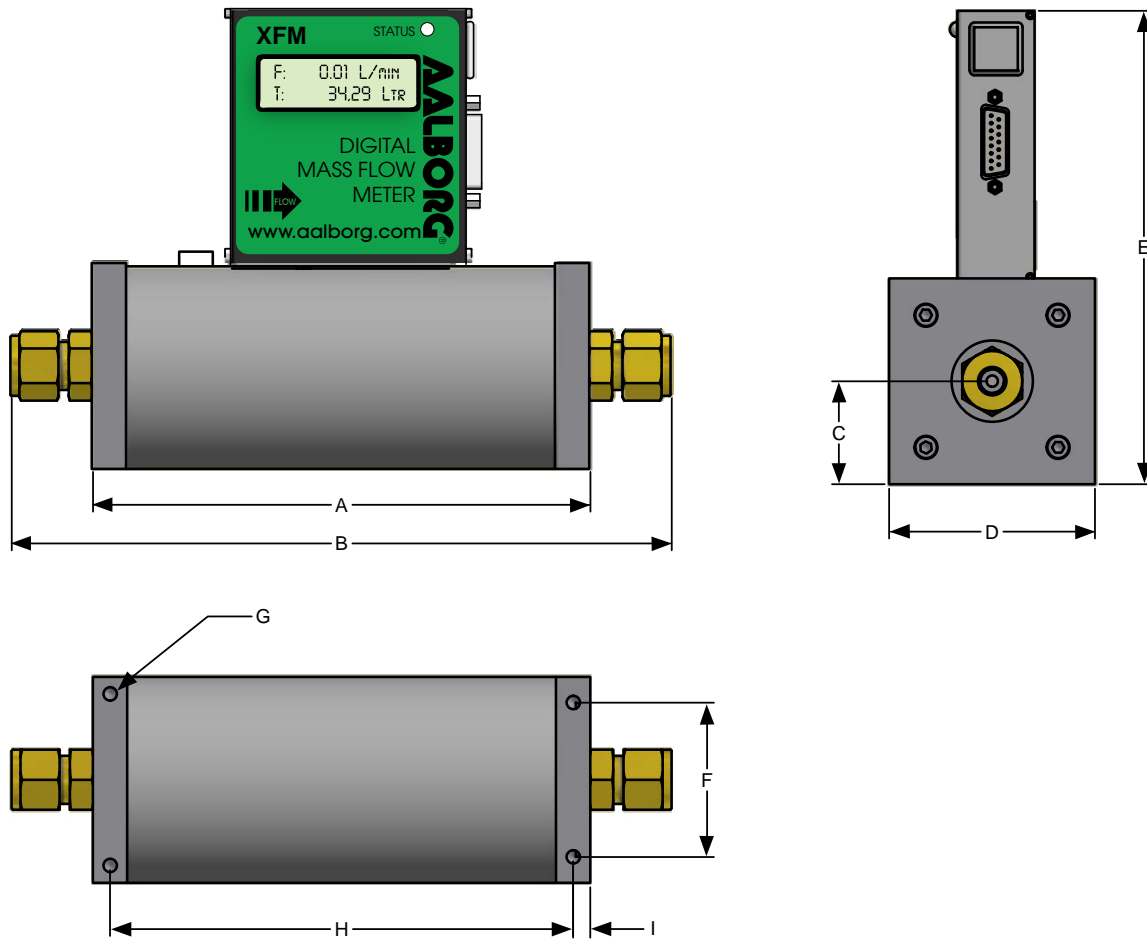
**TABLE 11 - DIMENSIONS FOR XFM [INCH]**

| MODEL  | *CONNECTION<br>Compression Fitting<br>(tube OD) | LCD and NO LCD VERSIONS |      |      |      |      |      | PROFIBUS CAPABILITY |      |
|--------|---|-------------------------|------|------|------|------|------|---------------------|------|
|        |   | A                       | B    | C    | D    | E    | F    | H                   | I    |
| XFM 07 | 1/4"  | 3.09                    | 5.11 | 0.50 | 1.13 | 4.99 | 0.16 | 1.41                | 5.22 |
| XFM 17 | 1/4"  | 3.09                    | 5.11 | 0.50 | 1.13 | 4.99 | 0.16 | 1.41                | 5.22 |
| XFM 37 | 1/4"  | 4.13                    | 6.14 | 0.63 | 1.25 | 5.36 | 0.36 | 1.45                | 5.60 |
| XFM 47 | 3/8"  | 4.13                    | 6.25 | 0.63 | 1.25 | 5.36 | 0.36 | 1.45                | 5.60 |

**TABLE 12 - DIMENSIONS FOR XFM [MM]**

| MODEL  | *CONNECTION<br>Compression Fitting<br>(tube OD) | LCD and NO LCD VERSIONS |       |      |      |       |     | PROFIBUS CAPABILITY |       |
|--------|---|-------------------------|-------|------|------|-------|-----|---------------------|-------|
|        |   | A                       | B     | C    | D    | E     | F   | H                   | I     |
| XFM 07 | 1/4"  | 78.6                    | 129.7 | 12.7 | 28.6 | 126.6 | 4.0 | 35.9                | 132.6 |
| XFM 17 | 1/4"  | 78.6                    | 129.7 | 12.7 | 28.6 | 126.6 | 4.0 | 35.9                | 132.6 |
| XFM 37 | 1/4"  | 104.8                   | 156.0 | 15.9 | 31.8 | 142.4 | 9.2 | 38.6                | 142.4 |
| XFM 47 | 3/8"  | 104.8                   | 158.8 | 15.9 | 31.8 | 142.4 | 9.2 | 38.6                | 142.4 |

For optional fittings see ordering information.



NOTE: Aalborg® reserves the right to change designs and dimensions at its sole discretion at any time without notice. For certified dimensions please contact Aalborg®.

TABLE 13 - DIMENSIONS FOR XFM [INCH]

| MODEL  | *CONNECTION<br>Compression Fitting<br>(tube OD) | LCD and NO LCD VERSIONS |      |      |      |      |      |      |      | TABLE<br>MOUNTING<br>HOLES |
|--------|---|-------------------------|------|------|------|------|------|------|------|----------------------------|
|        |   | A                       | B    | C    | D    | E    | F    | H    | I    |                            |
| XFM 57 | 3/8"  | 6.69                    | 8.81 | 0.88 | 1.75 | 5.99 | 1.39 | 4.69 | 1.00 | 10-24 UNC                  |
| XFM 67 | 1/2"  | 7.25                    | 9.62 | 1.50 | 3.00 | 6.90 | 2.25 | 6.75 | 0.25 | 1/4-20 UNC                 |
| XFM 77 | 3/4"  | 7.25                    | -    | 2.00 | 4.00 | 7.92 | 3.00 | 6.75 | 0.25 | 1/4-20 UNC                 |

TABLE 14 - DIMENSIONS FOR XFM [MM]

| MODEL  | *CONNECTION<br>Compression Fitting<br>(tube OD) | LCD and NO LCD VERSIONS |       |      |       |       |      |       |      | TABLE<br>MOUNTING<br>HOLES |
|--------|---|-------------------------|-------|------|-------|-------|------|-------|------|----------------------------|
|        |   | A                       | B     | C    | D     | E     | F    | H     | I    |                            |
| XFM 57 | 3/8"  | 169.8                   | 223.7 | 22.2 | 44.5  | 152.0 | 35.3 | 119.0 | 25.4 | 10-24 UNC                  |
| XFM 67 | 1/2"  | 184.2                   | 244.3 | 38.1 | 76.2  | 175.2 | 57.2 | 171.4 | 6.4  | 1/4-20 UNC                 |
| XFM 77 | 3/4"  | 184.2                   | -     | 50.8 | 101.6 | 201.2 | 76.2 | 171.4 | 6.4  | 1/4-20 UNC                 |

**TABLE 15 - XFM ACCESSORIES**

|                         |  |
|-------------------------|--|
| <b>CBL-XFM</b>          | D-SUB F 15 pins connector with two 6 feet long branches with stripped ends for user supplied power supply and digital communication interface (no support for analog interface and relays). This cable is included with each instrument. |
| <b>CBL-DGS</b>          | D-SUB F 15 pins connector with 6 feet long shielded cable (stripped ends).<br>Can be used with user supplied power supply, allows access to all XFM peripherals. (Optional).   |
| <b>PS-XFM-110NA-2</b>   | Power Supply / cable assembly 110VAC NA PLUG 12Vdc with 6 feet long communication interface branch stripped ends (no support for analog interface and relays output). (Optional).  |
| <b>PS-XFM-110NA-2-A</b> | Power Supply / cable assembly 110VAC NA PLUG 12Vdc with 6 feet long communication interface branch stripped ends with support for analog interface and relays output. (Optional).  |
| <b>PS-XFM-230EU-2</b>   | Power Supply / cable assembly 230VAC EU PLUG 12Vdc with 6 feet long communication interface branch stripped ends (no support for analog interface and relays output). (Optional).  |
| <b>PS-XFM-230EU-2-A</b> | Power Supply / cable assembly 230VAC EU PLUG 12Vdc with 6 feet long communication interface branch stripped ends with support for analog interface and relays output. (Optional).  |
| <b>PS-XFM-240AU-2</b>   | Power Supply / cable assembly 240VAC AU PLUG 12Vdc with 6 feet long communication interface branch stripped ends (no support for analog interface and relays output). (Optional).  |
| <b>PS-XFM-240AU-2-A</b> | Power Supply / cable assembly 240VAC AU PLUG 12Vdc with 6 feet long communication interface branch stripped ends with support for analog interface and relays output. (Optional).  |
| <b>PS-XFM-240UK-2</b>   | Power Supply / cable assembly 240VAC UK PLUG 12Vdc with 6 feet long communication interface branch stripped ends (no support for analog interface and relays output). (Optional).  |
| <b>PS-XFM-240UK-2-A</b> | Power Supply / cable assembly 240VAC UK PLUG 12Vdc with 6 feet long communication interface branch stripped ends with support for analog interface and relays output. (Optional).  |

Configure and Order Online: [XFM Mass Flow Meter](#)

|                            |                        |                    |
|----------------------------|------------------------|--------------------|
| XFM                        | MODEL                  |                    |
| MAX FLOW (N <sub>2</sub> ) |                        |                    |
| 07                         | 0.5 L/min              |                    |
| 17                         | 10 L/min               |                    |
| 37                         | 50 L/min               |                    |
| 47                         | 100 L/min              |                    |
| 57                         | 200 L/min              |                    |
| 67                         | 500 L/min              |                    |
| 77                         | 1000 L/min             |                    |
| MATERIAL                   |                        |                    |
| A                          | Aluminum               |                    |
| S                          | Stainless Steel        |                    |
| SEALS                      |                        |                    |
| V                          | FKM                    |                    |
| B                          | Buna®                  |                    |
| E                          | EPR                    |                    |
| T                          | PTFE / FFKM            |                    |
| FITTINGS                   |                        |                    |
| A                          | 1/4" Compression       | MODEL              |
| B                          | 1/8" Compression       | XFM 07, 17, 37     |
| C                          | 1/4" VCR®              | XFM 07, 17         |
| D                          | 3/8" Compression       | XFM 17, 37, 47, 57 |
| E                          | 1/2" Compression       | XFM 67             |
| F                          | 3/4" FNPT              | XFM 77             |
| G                          | 3/4" Compression       | XFM 77             |
| H                          | 6mm Compression        | XFM 07, 17, 37     |
| DISPLAY                    |                        |                    |
| N                          | NO Display             |                    |
| L                          | LCD Readout            |                    |
| POWER                      |                        |                    |
| 6                          | Universal 11 to 26 Vdc |                    |
| OUTPUT SIGNAL              |                        |                    |
| A                          | 0-5Vdc                 |                    |
| B                          | 4-20mA                 |                    |
| DIGITAL INTERFACE          |                        |                    |
| 2                          | RS232                  |                    |
| 5                          | RS485                  |                    |
| 9                          | PROFIBUS               |                    |

XFM 17 S — V A L 6 — A 2

**EXAMPLE: XFM17S-VAL6-A2 5 L/min [N<sub>2</sub>] 20 psig**

***SPECIFY: Flow Range, Gas and Pressure***

*\*n.a. = not applicable*

XFM17 stainless steel, FKM seals, 1/4" compression fittings with LCD readout, 11 to 26 Vdc, 0-5 Vdc output signal with RS232 digital interface.



ZFM





## Design Features

- Multi-gas/Multi-range functionality up to 8 bar (currently for 6 gases).
- Full scale covered flow ranges from 3.125 sml/min to 10 sL/min are available in seven models.
- Standard accuracy  $\pm$  (0.5% RD + 0.2% FS) based on actual calibration.
- Universal 14-24 Vdc power supply input.
- Supports up to 46 Engineering Units (including User-defined).
- Stores additional user- calibration table data for up to 10 gases.
- Two programmable Totalizers indicate total gas quantity.
- User-programmable Pulse Output (via SSR).
- High and low gas flow Alarm limits with preset delay interval.
- One user-programmable solid-state relays with latch option.
- User-selectable analog 0-5 Vdc, 0-10 Vdc, or 4-20mA outputs.
- Internal conversion factors for up to 26 gases.
- Digital interface (RS-232 or RS-485) test/configuration port, optional Modbus RTU with Isolated RS-485 transceiver).
- Multi-Drop capability of up to 247 units (RS-485 option).
- Optional Modbus RTU network interface with Isolated RS-485 transceiver.
- Automatic sensor zero offset adjustment (via digital interface or local push button).
- Extensive Self- diagnostic with status LED or OLED (optional) indication.
- Local 128 x 64 high contrast OLED (optional) graphic display with joystick control.
- Free, easy-to-use configuration and calibration software (RS-232/RS-485).

## User Features

- ZFM Meters, with the new “Multi-Gas/ Multi-Range (MGMR) features, cover flow ranges from 0-3.125 sml/min to 0-10 sL/min are available in seven standard configurations and maintain their high accuracy with turndown ranges up to 133.3 to 1.
- OEM users can significantly reduce the number of instruments kept in stock, storage space, and cost of ownership.
- ZFM users can rescale their instruments to the desired gas and full scale range on site saving time and money.
- Save on considerable installation costs, instrument removal from the factory floor, and recalibration service which are no longer applicable.
- Aalborg provides each ZFM meter with free and easy-to-use “ZFM Configuration Utility Software”. By connecting the instrument to the RS232 port of a PC or lap-top and running this configuration utility, the user can select different gas types and flow ranges within a few minutes without removing the instrument from the installation.
- Each instrument comes with the standard user-selectable (0-5Vdc, 0-10 Vdc, or 4-20 mA) analog output signals and the RS232 or RS-485 digital interface. Optional Modbus interface is also available.

**TABLE 16 - FLOW RANGES FOR ZFM**


| ZFM LOW FLOW MASS METERS |  |  |
|--------------------------|--|--|
| CODE                     | Nominal Flow Range<br>sL/min [N <sub>2</sub> ] | Reconfigurable Full Scale Flow<br>Ranges [Min – Max]<br>sL/min (N <sub>2</sub> ) |
| 01                       | 0.0125   | 0.003125 – 0.0125  |
| 03                       | 0.05   | 0.0125 – 0.05  |
| 05                       | 0.2  | 0.05 – 0.2   |
| 06                       | 0.8  | 0.2 – 0.8  |
| 08                       | 2.0  | 0.5 – 2.0  |
| 09                       | 6.0  | 1.5 – 6.0  |
| 10                       | 10.0   | 2.5 – 10.0   |

**TABLE 17 - ZFM SPECIFICATIONS**

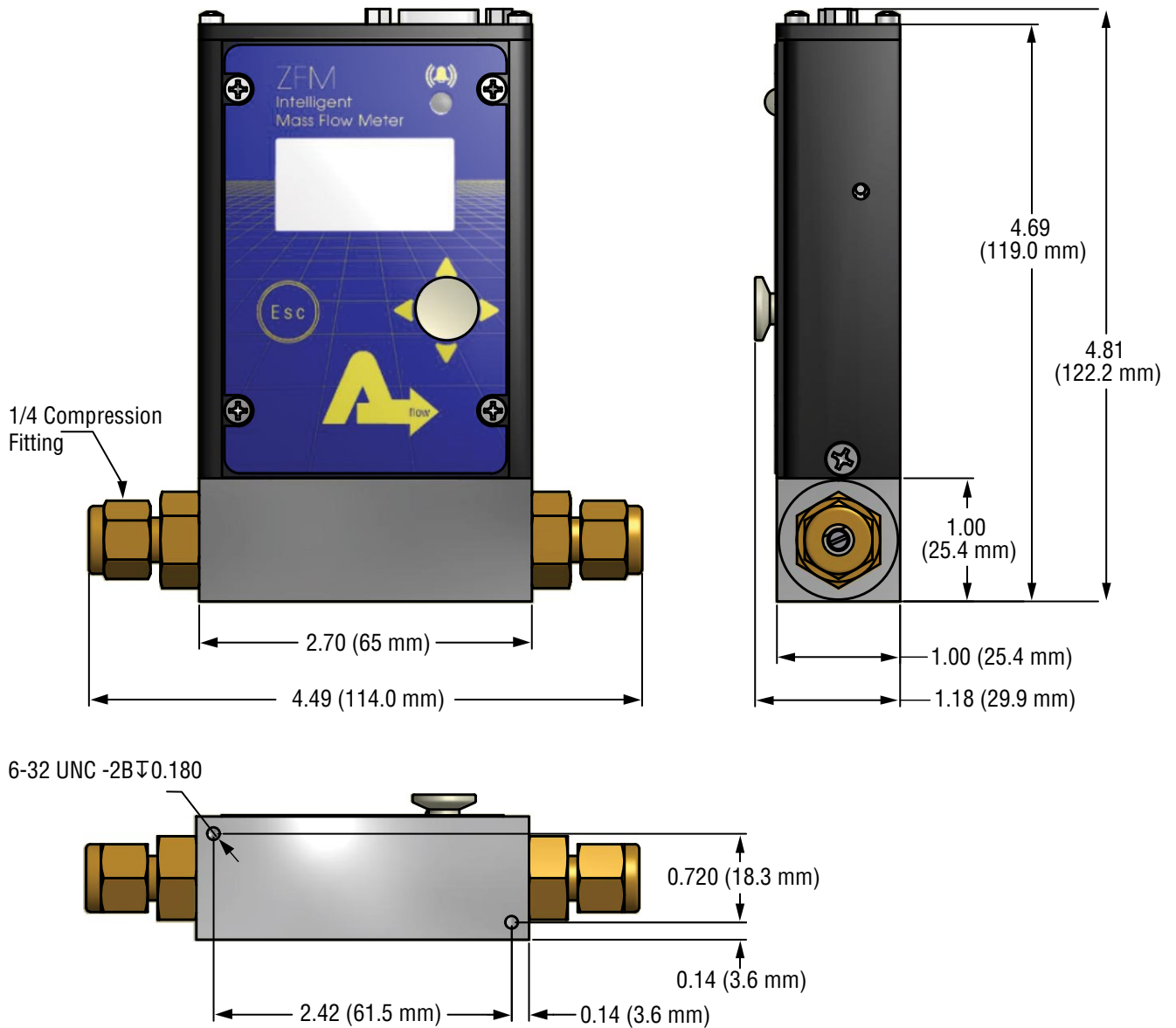
|   |   |
|---|---|
| <b>FLOW MEDIUM:</b>                         | Please note that ZFM Mass Flow Meters are designed to work only with clean gases. Never try to measure flow rates of liquids with any ZFM.  |
| <b>CALIBRATIONS:</b>                        | Performed at standard conditions [14.7 psia (101.4 kPa) and 70 °F (21.1 °C)] unless otherwise requested or stated.  |
| <b>ENVIRONMENTAL (PER IEC 664):</b>         | Installation Level II; Pollution Degree II.   |
| <b>FLOW ACCURACY (INCLUDING LINEARITY):</b> | ±(0.5% RD + 0.2% FS) based on actual calibration (at calibration temperature and pressure).   |
| <b>REPEATABILITY:</b>                       | ±0.15% of full scale.   |
| <b>FLOW TEMPERATURE COEFFICIENT:</b>        | 0.05% of full scale/ °C or better.  |
| <b>FLOW PRESSURE COEFFICIENT:</b>           | 0.01% of full scale/psi (6.895 kPa) or better.  |
| <b>FLOW RESPONSE TIME:</b>                  | 1000ms time constant; approximately 2 seconds to within ±2% of set flow rate for 0% to 100% of full scale flow.   |
| <b>MAXIMUM PRESSURE:</b>                    | 1000 PSIG (6894 kPa gauge).   |
| <b>MAXIMUM PRESSURE DROP:</b>               | About 0.8 psi at 10 L/min flow (TBD).   |
| <b>GAS AND AMBIENT TEMPERATURE:</b>         | 32 °F to 122 °F (0 °C to 50 °C).  |
| <b>RELATIVE GAS HUMIDITY:</b>               | Up to 70%.  |
| <b>LEAK INTEGRITY:</b>                      | 1 x 10 <sup>-9</sup> sccs He maximum to the outside environment.  |
| <b>ATTITUDE SENSITIVITY:</b>                | Incremental deviation of up to 0.5% FS from stated accuracy, after re-zeroing.  |
| <b>OUTPUT SIGNALS:</b>                      | Linear 0-5 Vdc (3000 ohms min load impedance);<br>Linear 0-10 Vdc (5000 ohms min load impedance);<br>Linear 4-20 mA (500 ohms maximum loop resistance).<br>Maximum noise 10mV peak to peak (for 0-5 Vdc output).      |
| <b>METER INPUT POWER:</b>                   | 14 to 26 Vdc, 100 mV maximum peak to peak noise.<br>Power consumption: maximum 100 mA @ 24Vdc;<br>Circuit board have built-in polarity reversal protection, 300mA resettable fuse provide power input protection.     |
| <b>**MATERIALS FLUID CONTACT:</b>           | Aluminum Models: Anodized aluminum, brass, 316 stainless steel, FKM O-rings.<br>Stainless Steel Models: 316 stainless steel, FKM O-rings.<br>Optional O-ring Materials: Buna-N® , EPR® (Ethylene Propylene), or FFKM. |



Aalborg makes no expressed or implied guarantees of corrosion resistance of mass flow meters as pertains to different flow media reacting with components of meters. It is the customers' sole responsibility to select the model suitable for a particular gas based on the fluid contacting (wetted) materials offered in the different models

|                             |  |
|-----------------------------|--|
| <b>CONNECTIONS:</b>         | Model ZFM 17 standard 1/4" compression fittings. Optional 6mm, 1/8" or 3/8" compression fittings and 1/4" VCR fittings are available.  |
| <b>DISPLAY:</b>             | Optional local 128x64 graphic yellow OLED with Esc button and Joystick interface.  |
| <b>CALIBRATION OPTIONS:</b> | Build-in support based on empirical K-Factors for additional 5 gases (Air, CO <sub>2</sub> , O <sub>2</sub> , Argon, and Helium) included.   |
|                             |  NOTE: Calibration certificate by default provided for Nitrogen only.<br>If Calibration certificate required for other gases optional "as found" calibration must be ordered. |
| <b>CE COMPLIANCE:</b>       | Optional, up to 10 additional custom calibrations (with calibration certificate) may be ordered at additional charge.  |
| <b>CE COMPLIANCE:</b>       | EMC Compliance with 2004/108/EC as amended. CISPR 11.<br>Emission Standard: IEC 61000-6-3.<br>Immunity Standard: IEC 61000-6-1.  |

*\*\*The selection of materials of construction, is the responsibility of the customer. The company accepts no liability.*



NOTE: Aalborg® reserves the right to change designs and dimensions at its sole discretion at any time without notice. For certified dimensions please contact Aalborg®.

**TABLE 18 - ZFM ACCESSORY'S**

| MODEL NO.                             | DESCRIPTION   |
|---------------------------------------|---|
| <b>POWER SUPPLIES</b>                 |   |
| <b>PS-ZFM-110NA-4</b>                 | ZFM power supply 110VAC North America plug 24 vdc with DC jack power adapter.   |
| <b>PS-ZFM-230EU-4</b>                 | ZFM power supply 230VAC Europe plug 24Vdc with DC jack power adapter.   |
| <b>PS-ZFM-240UK-4</b>                 | ZFM power supply 240VAC U.K. plug 24Vdc with DC jack power adapter.   |
| <b>PS-ZFM-240AU-4</b>                 | ZFM power supply 240VAC Australia plug 24Vdc with DC jack power adapter.  |
| <b>CABLES</b>                         |   |
| <b>ZFM-APW-BX</b>                     | Adapter for ZFM DC Power DB9 M/F 2.1 mm DC jack in the box (for user supplied power supply).  |
| <b>CSM9MF-5</b>                       | Shielded cable D-Sub M/F 9 pins 5.0 feet long.  |
| <b>CSM9MF-10</b>                      | Shielded cable D-Sub M/F 9 pins 10.0 feet long.   |
| <b>CSM9MF-15</b>                      | Shielded cable D-Sub M/F 9 pins 15.0 feet long (recommended for 4-20 mA analog output option only).   |
| <b>CSM9MF-25</b>                      | Shielded cable D-Sub M/F 9 pins 25.0 feet long (recommended for 4-20 mA analog output option only).   |
| <b>CSM9MF-50</b>                      | Shielded cable D-Sub M/F 9 pins 50.0 feet long (recommended for 4-20 mA analog output option only).   |
| <b>KIT-ZFM-2.5FT</b>                  | ZFM Electrical Connection Kit: 2.5 feet M/F shielded cable and screw terminal with cover for field termination (included with each ZFM).                                    |
| <b>CBL-A232</b>                       | Communication Cable for ZFM with RS-232 Interface 6 FT 3.5mm stereo audio con. with 3-wire to 9 pins female D-connector (included with each ZFM equipped with RS-232 port). |
| <b>CBL-A485</b>                       | Communication Cable for ZFM with RS-485 Interface 6 FT 3.5mm stereo audio con. with 3-wire to stripped ends (included with each ZFM equipped with RS-485 port).             |
| <b>COMMUNICATION PORT ACCESSORIES</b> |   |
| <b>USB-RS232</b>                      | USB to RS232 converter.   |
| <b>USB-RS485</b>                      | USB to RS485 converter.   |
| <b>RBA098F</b>                        | Adapter RJ45 TO DB9 female (8X8) for ZFM Modbus interface cable to usb/rs485 converter (USB-RS485).   |
| <b>MODBUS INTERFACE ACCESSORIES</b>   |   |
| <b>ECS803-1</b>                       | RJ45 shielded Y-adapter (Passive TAP).  |
| <b>TDG1026-8C</b>                     | RJ45 Modular Coupler.   |
| <b>MOD27T</b>                         | RJ45 Line Terminator (100 Ohm 0.25 W).  |
| <b>JMOD4S-1</b>                       | RJ45 Splitter fully shielded (5xRJ45, 1 input 4 outputs).   |
| <b>TRD815BL-2</b>                     | Category 5E Patch Twisted Pair Cable, RJ45 / RJ45, Blue 2.0 feet.   |
| <b>TRD815BL-10</b>                    | Category 5E Patch Twisted Pair Cable, RJ45 / RJ45, Blue 10.0 feet.  |
| <b>TRD815BL-25</b>                    | Category 5E Patch Twisted Pair Cable, RJ45 / RJ45, Blue 25.0 feet.  |

Configure and Order Online: [ZFM Mass Flow Meter](#)

|                            |                        |        |
|----------------------------|------------------------|--------|
| ZFM                        | MODEL                  |        |
| MAX FLOW (N <sub>2</sub> ) |                        |        |
| 17                         | 10 L/min               |        |
| MATERIAL                   |                        |        |
| A                          | Aluminum               |        |
| S                          | Stainless Steel        |        |
| SEALS                      |                        |        |
| V                          | FKM                    |        |
| B                          | Buna®                  |        |
| E                          | EPR                    |        |
| T                          | PTFE / FFKM            |        |
| FITTINGS                   |                        |        |
| A                          | 1/4" Compression       | ZFM 17 |
| B                          | 1/8" Compression       | ZFM 17 |
| C                          | 1/4" VCR®              | ZFM 17 |
| H                          | 6mm Compression        | ZFM 17 |
| DISPLAY                    |                        |        |
| N                          | NO Display             |        |
| L                          | LCD Readout            |        |
| POWER                      |                        |        |
| 6                          | Universal 11 to 26 Vdc |        |
| OUTPUT SIGNAL              |                        |        |
| A                          | 0-5Vdc                 |        |
| B                          | 4-20mA                 |        |
| M                          | 0-10 Vdc               |        |
| DIGITAL INTERFACE          |                        |        |
| 2                          | RS232                  |        |
| 5                          | RS485                  |        |
| 3                          | RS232 with MODBUS      |        |

ZFM 17 S — V A L 6 — A 2

**EXAMPLE: ZFM17S-VAL6-A2 5 L/min [N<sub>2</sub>] 20 psig**

***SPECIFY: Flow Range, Gas and Pressure***

\*n.a. = not applicable.

ZFM17 stainless steel, FKM seals, 1/4" compression fittings with LCD readout, 14 to 26 Vdc, 0-5 Vdc output signal with RS232 digital interface.



DPM



## Design Features

- Multi-Parameter functionality: Mass Flow, Volumetric Flow, Gas Pressure and Temperature.
- Multi-Gas functionality: support for 90 different gases and gas mixes.
- Available with corrosion-resistant wetted materials (DPM/08/18/38/48/58/68/78 Series) and low pressure drop (BREEZE™ DPM04/14/24/34/44/54 Series).
- “User Defined Mixture” functionality allows to create and store up to 20 custom gas mixes with up to 5 different gases each.
- Quick (< 20ms) response time.
- Standard accuracy  $\pm$  (0.5% RD + 0.2% FS).
- 200 to 1 turndown ratio.
- Two programmable mass flow rate totalizers.
- High, Low or In Range Alarms with preset action delay for Mass Flow, Temperature and Pressure.
- User programmable mass flow rate Pulse Output (via SSR).
- Extensive Self Diagnostics with status LED or OLED indication.
- All 3 user selectable analog output interfaces are standard: 0-5Vdc, 0-10Vdc, 4-20mA.
- Two user selectable digital communication interfaces (RS-232 and RS-485) are standard.
- Optional Modbus RTU network interface with isolated RS485 transceiver.
- User programmable solid state relay with latch option.
- Universal 9-26 Vdc power supply input.
- Local high contrast OLED (optional) graphic display with joystick control.
- Free, easy-to-use configuration and calibration software (RS-232/RS-485).

## General Description

Aalborg Instruments' DPM series digital multi-parameter mass flow meter provides accurate measurements of mass flow rate, volumetric flow rate, pressure and temperature of process gases. It can be used in a variety of industries: scientific and analytical applications, bioreactors and surface depositions, gas sampling, manufacturing and metrology activities.

DPM series digital mass flow meters incorporate multi-parameter multi-gas functionality which allows users on site to select up to 30 different gases locally via optional OLED/Joystick interface, remotely via the RS232/RS485 interface or optional Modbus RTU interface. Standard accuracy is  $\pm$  (0.5% RDG + 0.2% FS). Turn down ratio is 200:1. Response time is 10-20 ms.

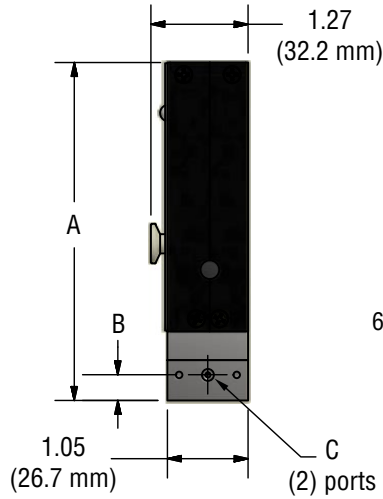
DPM flow meters support various functions including: two programmable flow totalizers, low, high or range flow, temperature and pressure alarms, automatic zero adjustment (activated via local or communication interface), programmable SSR relay, programmable 0-5 Vdc, 0-10 Vdc or 4-20 mA analog outputs, user-programmable pulse output (via SSR), and extensive self-diagnostics functionality.

Significant savings become apparent when comparing the cost of a single DPM meter embodying these features, with that of acquiring and installing multiple, application-specific devices.

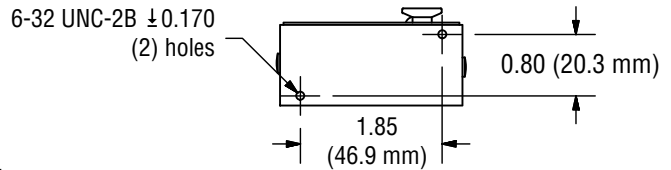
## Principles of Operation

Operation of DPM flow meters is based on the measurement of the differential pressure across specially designed restrictor flow elements. The restrictor flow element is designed to establish laminar flow across the entire range of the instrument's operation from 0 to 133% of full scale range.

A high accuracy and high resolution **differential** pressure sensor is utilized to measure pressure drop across a laminar flow channel, which is linearly proportional to volumetric flow rate. To convert volumetric flow into mass flow, high accuracy and high resolution **absolute** pressure and temperature sensors are utilized. Based on data from the sensors and gas properties from the built-in data base of the instrument, the microcontroller calculates volumetric and mass flow, which along with pressure and temperature parameters are available on the instrument display or via digital interfaces. In addition, the mass flow reading is accessible via the instrument analog interface which can be set by user to 0-5, 0-10 Vdc or 4-20mA mode.



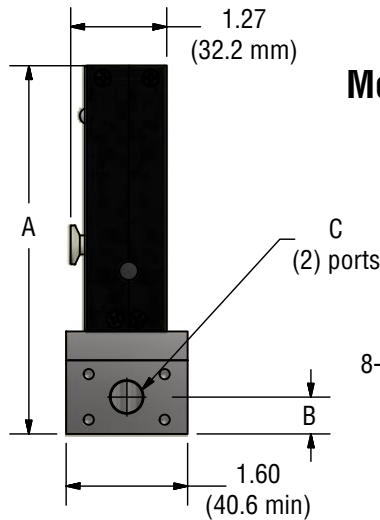
### Low Flow Meter Dimensions



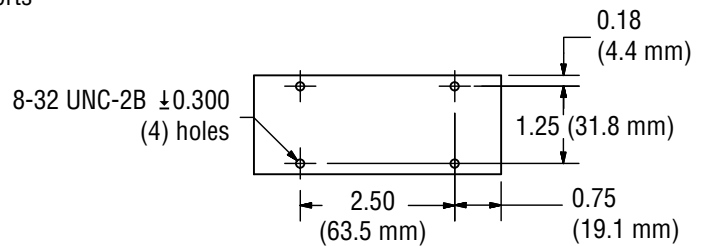
|                          | A (non- corrosive) | A (corrosive resistant) | B             | C            |
|--------------------------|--------------------|-------------------------|---------------|--------------|
| DPM04* / DPM07 / DPM08** | 4.40 (111.8 mm)    | 4.98 (126.5 mm)         | 0.34 (8.5 mm) | 10-32 UNF-2B |
| DPM14* / DPM17 / DPM18** | 4.58 (116.2 mm)    | 5.13 (130.4 mm)         | 0.35 (8.9 mm) | 1/8-27 NPT   |
| DPM24*                   | 5.0 (127.0 mm)     |                         | 0.35 (8.9 mm) | 1/4-18 NPT   |

\* Breeze Models

\*\* Corrosive Resistance Models



### Medium and High Flow Meter Dimensions



|                       | A (non- corrosive) | A (corrosive resistant) | B              | C           |
|-----------------------|--------------------|-------------------------|----------------|-------------|
| DPM34*/DPM37 /DPM38** | 4.85 (123.2 mm)    | 5.65 (143.5 mm)         | 0.49 (12.3 mm) | 1/4"-18 NPT |
| DPM44*/DPM47 /DPM48** | 4.85 (123.2 mm)    | 5.65 (143.5 mm)         | 0.49 (12.3 mm) | 1/4"-18 NPT |
| DPM57 /DPM58**        | 5.48 (139.1 mm)    | 6.28 (159.5 mm)         | 0.80 (20.3 mm) | 1/2"-14 NPT |
| DPM54*/DPM67 /DPM68** | 5.48 (139.1 mm)    | 6.28 (159.5 mm)         | 0.80 (20.3 mm) | 3/4"-14 NPT |
| DPM77 /DPM78**        | 5.48 (139.1 mm)    | 6.28 (159.5 mm)         | 0.80 (20.3 mm) | 3/4"-14 NPT |

\* Breeze Models

\*\* Corrosive Resistance Models

NOTE: Aalborg® reserves the right to change designs and dimensions at its sole discretion at any time without notice. For certified dimensions please contact Aalborg®.



**TABLE 19 - DPM FLOW RANGES**

| MODEL NO.                                      | FULL SCALE MASS FLOW RATE | PRESSURE DROP AT FULL SCALE FLOW (PSID) | PROCESS CONNECTION  |
|--|---------------------------|---|---------------------|
| <b>STANDARD PRESSURE DROP [AIR]</b>            |                           |   |                     |
| DPM07  | 0.5 to 50 smL/min         | 1.0                                     | 10-32 Female Thread |
| DPM17  | 51 smL/min to 20 sL/min   | 1.0                                     | 1/8" NPT Female     |
| DPM37  | 21 sL/min to 50 sL/min    | 2.0                                     | 1/4" NPT Female     |
| DPM47  | 51 sL/min to 100 sL/min   | 2.5                                     | 1/4" NPT Female     |
| DPM57  | 101 sL/min to 250 sL/min  | 5.5                                     | 1/2" NPT Female     |
| DPM67  | 251 sL/min 500 sL/min     | 5.5                                     | 3/4" NPT Female     |
| DPM77  | 501 sL/min to 1000 sL/min | 7.0                                     | 3/4" NPT Female     |
| <b>CORROSION-RESISTANT PRESSURE DROP [AIR]</b> |                           |   |                     |
| DPM08  | 0.5 to 50 smL/min         | 1.0                                     | 10-32 Female Thread |
| DPM18  | 51 smL/min to 20 sL/min   | 1.0                                     | 1/8" NPT Female     |
| DPM38  | 21 sL/min to 50 sL/min    | 2.0                                     | 1/4" NPT Female     |
| DPM48  | 51 sL/min to 100 sL/min   | 2.5                                     | 1/4" NPT Female     |
| DPM58  | 101 sL/min to 250 sL/min  | 5.5                                     | 1/2" NPT Female     |
| DPM68  | 251 sL/min 500 sL/min     | 5.5                                     | 3/4" NPT Female     |
| DPM78  | 501 sL/min to 1000 sL/min | 7.0                                     | 3/4" NPT Female     |
| <b>DPM (BREEZE™) LOW PRESSURE DROP [AIR]</b>   |                           |   |                     |
| DPM04  | 0.5 smL/min to 20 smL/min | 0.06                                    | 10-32 Female Thread |
| DPM14  | 21 smL/min to 2 sL/min    | 0.07                                    | 1/8" NPT Female     |
| DPM24  | 2.1 sL/min to 10 sL/min   | 0.085                                   | 1/4" NPT Female     |
| DPM34  | 10.1 sL/min to 20 sL/min  | 0.3                                     | 1/4" NPT Female     |
| DPM44  | 20.1 sL/min to 40 sL/min  | 0.15                                    | 1/2" NPT Female     |
| DPM54  | 40.1 sL/min to 100 sL/min | 0.25                                    | 3/4" NPT Female     |

**TABLE 20 - DPM ACCESSORY'S**

| FITTINGS                       |  |  |
|--------------------------------|--|--|
| MODEL NO.                      | FITTING CODE   | DESCRIPTION  |
| DPM07 / 08 / 04                | F1C5   | 10-32 Thread, 1/8" Tubing, Compression, 316 ss.              |
| DPM07 / 04                     | F2C5   | 10-32 Thread, 1/8" Tubing, Compression, Nickel Plated Brass. |
| DPM17 / 18 / 14                | F2C2   | 1/8" NPT Thread, 1/8" tubing, Compression, 316 ss.           |
| DPM17 / 18 / 14                | F2C4   | 1/8" NPT Thread, 1/4" tubing, Compression, 316 ss.           |
| DPM37 / 38 / 34                | F4C4   | 1/4" NPT Thread, 1/4" tubing, Compression, 316 ss.           |
| DPM24 / 34 / 48 / 47           | F4C6   | 1/4" NPT Thread, 3/8" tubing, Compression, 316 ss.           |
| DPM44 / 57 / 58                | F8C6   | 1/2" NPT Thread, 3/8" tubing, Compression, 316 ss.           |
| DPM54 / 67 / 68                | 1210-1-12-316  | 3/4" NPT Thread 3/4" tubing, Compression, 300 series ss.     |
| DPM54 / 77 / 78                | 1210-1-12-316  | 3/4" NPT Thread 3/4" tubing, Compression, 300 series ss.     |
| POWER SUPPLIES                 |  |  |
| PS-GFM-110NA-2                 | Power Supply, 110 V / 12 Vdc / North America.  |  |
| PS-GFM-110NA-4                 | Power Supply, 110 V / 24 Vdc / North America.  |  |
| PS-GFM-230EU-2                 | Power Supply, 220 V / 12 Vdc / Europe.   |  |
| PS-GFM-230EU-4                 | Power Supply, 220 V / 24Vdc / Europe.  |  |
| PS-GFM-240UK-2                 | Power Supply 240 V / 12 Vdc / United Kingdom.  |  |
| CABLES                         |  |  |
| CBL-RS232                      | Communication Cable for DPM with RS232 Interface 1.5 FT 3.5mm stereo audio con. with 3-wire to 9 pins female D-connector (included with each DPM ordered with RS-232 interface). |  |
| CBL-RS485DP                    | Communication Cable for DPM with RS485 Interface 3 FT 3.5 mm stereo audio con. with 3-wire to stripped ends. (included with each DPM ordered with RS-485 interface).             |  |
| CBL-8MINIDIN-3                 | Shielded cable 8 pins MinDin with stripped ends 3 feet long.   |  |
| CBL-8MINIDIN-12                | Shielded cable 8 pins MinDin with stripped ends 12 feet long.  |  |
| COMMUNICATION PORT ACCESSORIES |  |  |
| USB-RS232                      | USB to RS232 converter.  |  |
| USB-RS485                      | USB to RS485 converter.  |  |
| MODBUS INTERFACE ACCESSORIES   |  |  |
| ECS803-1                       | RJ45 shielded Y-adapter (Passive TAP).   |  |
| TDG1026-8C                     | RJ45 Modular Coupler.  |  |
| MOD27T                         | RJ45 Line Terminator (100 Ohm 0.25 W).   |  |
| JMOD4S-1                       | RJ45 Splitter fully shielded (5xRJ45, 1 input 4 outputs).  |  |
| TRD815BL-2                     | Category 5E Patch Twisted Pair Cable, RJ45 / RJ45, Blue 2.0 feet.  |  |
| TRD815BL-10                    | Category 5E Patch Twisted Pair Cable, RJ45 / RJ45, Blue 10.0 feet.   |  |
| TRD815BL-25                    | Category 5E Patch Twisted Pair Cable, RJ45 / RJ45, Blue 25.0 feet.   |  |

**TABLE 21 - DPM SPECIFICATIONS**

|   |   |           |
|---|---|-----------|
| <b>FLOW MEDIUM:</b>   | Please note that DPM04/07/14/17/24/37/44/47/54/57/67/77 mass flow meters are designed to work only with clean, non-corrosive gases. The DPM08/18/38/48/58/68/78 mass flow meters are also compatible with corrosive gases listed in the instrument's operating manual. Never try to measure flow rates of liquids with any DPM. |           |
| <b>CALIBRATIONS:</b>  | Perform at standard conditions [14.7 psia (101.4 kPa) and 70 °F (21.1 °C)]  |           |
| <b>ENVIRONMENTAL (PER IEC 664):</b>   | Installation Level II; Pollution Degree II.   |           |
| <b>FLOW ACCURACY (INCLUDING LINEARITY):</b>                                 | ±(0.5% RD + 0.2% FS) at calibration temperature and pressure.   |           |
| <b>REPEATABILITY:</b>   | ±0.15% of full scale.   |           |
| <b>FLOW TEMPERATURE COEFFICIENT:</b>  | 0.05% of full scale/ °C or better.  |           |
| <b>FLOW PRESSURE COEFFICIENT:</b>   | 0.01% of full scale/psi (6.895 kPa) or better.  |           |
| <b>FLOW RESPONSE TIME:</b>  | Default 10 ms (adjustable by user).   |           |
| <b>FLOW MEDIUM</b>  | Please note that DPM04/07/14/17/24/37/44/47/54/57/67/77 Mass Flow Meters are designed to work only with clean, non-corrosive gases. The DPM08/18/38/48/58/68/78 mass flow meters are also compatible with corrosive gases listed in the instrument's operating manual.  |           |
| <b>INSTRUMENT WARM-UP TIME:</b>   | < 5 seconds.  |           |
| <b>MAXIMUM MEASURABLE FLOW RANGE:</b>                                       | 133% Full Scale.  |           |
| <b>OPERATING RANGE / TURNDOWN RATIO:</b>                                    | 0.5% to 100% Full Scale / 200:1.  |           |
| <b>MASS REFERENCE CONDITIONS (STP):</b>                                     | 70 °F & 14.696 PSIA (other available on request).   |           |
| <b>MAXIMUM INTERNAL GAS PRESSURE (STATIC):</b>                              | DPM07 /17 /37 /47 /57 /67 /77   | 120 PSIG  |
|   | DPM04 /14 /24 /34 /44 /54   | 50 PSIG   |
|   | DPM08 /18 /38 /48 /58 /68 /78   | 150 PSIG  |
| <b>MAXIMUM INSTANTANEOUS DIFFERENTIAL PRESSURE ACROSS INLET AND OUTLET:</b> | DPM07 /17 /37 /47 /57 /67 /77   | 12 PSID   |
|   | DPM04 /14 /24 /34 /44 /54   | 9.75 PSID |
|   | DPM08 /18 /38 /48 /58 /68 /78   | 10 PSID   |
| <b>MAXIMUM INSTANTANEOUS DIFFERENTIAL PRESSURE ACROSS INLET AND OUTLET:</b> | DPM08 /18 /38 /48 /58 /68 /78   | 10 PSID   |
| <b>PROOF PRESSURE:</b>  | DPM07 /17 /37 /47 /57 /67 /77   | 145 PSIG  |
|   | DPM04 /14 /24 /34 /44 /54   | 50 PSIG   |
|   | DPM08 /18 /38 /48 /58 /68 /78   | 175 PSIA  |
| <b>OPERATING TEMPERATURE:</b>   | -10 to +60 °C (14 to 140 °F).   |           |
| <b>MOUNTING ATTITUDE SENSITIVITY:</b>                                       | None.   |           |
| <b>RELATIVE GAS HUMIDITY RANGE:</b>   | 0 to 100% (Non-Condensing).   |           |
| <b>INGRESS PROTECTION:</b>  | IP40.   |           |
| <b>OUTPUT SIGNALS:</b>  | Linear 0-5 Vdc (3000 ohms min. load impedance);   |           |
|   | Linear 0-10 Vdc (5000 ohms min. load impedance); with power supply >= 12Vdc.  |           |
|   | Linear 4-20 mA (550 ohms maximum loop resistance) with power supply >= 12Vdc.   |           |
|   | Maximum noise 10mV peak to peak (for 0-5/0-10 Vdc output).  |           |
| <b>TRANSDUCER INPUT POWER:</b>  | 9 to 26 Vdc, 150 mV maximum peak to peak output noise. Power consumption: 100 mA maximum. Circuit board has built-in polarity reversal protection, 300mA resettable fuse provide power input protection.  |           |
| <b>DIGITAL OUTPUT SIGNALS:</b>  | Standard RS-232 or RS-485 (user selectable).<br>Optional Modbus over isolated RS-485 transceiver.   |           |
| <b>** MATERIALS FLUID CONTACT:</b>  | 316 stainless steel, 416 stainless steel, high temperature polyamide, alumina ceramic, epoxy, silicone, glass, gold. FKM O-rings.   |           |
| <b>CORROSION-RESISTANT:</b>   | 316 stainless steel, FKM or FFKM O-rings.   |           |

*\*\* The selection of materials of construction, is the responsibility of the customer. The company accepts no liability.*

Configure and Order Online: [DPM Mass Flow Meter](#)

| DPM                       | MODEL |                           |
|---------------------------|-------|---------------------------|
| MAX FLOW (Air)            |       |                           |
| Standard Pressure Drop    | 07    | 0.5 sml/min to 50 sml/min |
|                           | 17    | 51 sml/min to 20 sL/min   |
|                           | 37    | 21 sL/min to 50 sL/min    |
|                           | 47    | 51 sL/min to 100 sL/min   |
|                           | 57    | 250 sL/min                |
|                           | 67    | 500 sL/min                |
|                           | 77    | 1000 sL/min               |
| Corrosion-Resistant       | 08    | 0.5 to 50 smL/min         |
|                           | 18    | 51 smL/min to 20 sL/min   |
|                           | 38    | 21 sL/min to 50 sL/min    |
|                           | 48    | 51 sL/min to 100 sL/min   |
|                           | 58    | 101 sL/min to 250 sL/min  |
|                           | 68    | 251 sL/min 500 sL/min     |
|                           | 78    | 501 sL/min to 1000 sL/min |
| Breeze™ Low Pressure Drop | 04    | 0.5 smL/min to 20 smL/min |
|                           | 14    | 21 smL/min to 2 sL/min    |
|                           | 24    | 2.1 sL/min to 10 sL/min   |
|                           | 34    | 10.1 sL/min to 20 sL/min  |
|                           | 44    | 20.1 sL/min to 40 sL/min  |
|                           | 54    | 40.1 sL/min to 100 sL/min |

| MATERIAL |                 |
|----------|-----------------|
| S        | Stainless Steel |

| SEALS |      |
|-------|------|
| V     | FKM  |
| T     | FFKM |

| CONNECTIONS |                                   |
|-------------|-----------------------------------|
| 0           | Not Included (Optional Accessory) |

| OLED READOUT |              |
|--------------|--------------|
| N            | NO Display   |
| L            | OLED Readout |

| POWER |                       |
|-------|-----------------------|
| 6     | Universal 9 to 26 Vdc |

| OUTPUT SIGNAL |          |
|---------------|----------|
| A             | 0-5 Vdc  |
| B             | 4-20 mA  |
| M             | 0-10 Vdc |

| DIGITAL INTERFACE |                   |
|-------------------|-------------------|
| 2                 | RS232             |
| 5                 | RS485             |
| 3                 | RS232 with Modbus |
| 4                 | RS485 with Modbus |

DPM 17 S V 0 L 6 A 3

**EXAMPLE: DPM17S-VOL6-A3**

**SPECIFY: Flow Range, Gas and Pressure** \*n.a. = not applicable.

DPM17, 316 stainless steel, FKM seals, with OLED readout 9-26 Vdc, 0-5 Vdc output signal, RS 232 with Modbus

Model GFC thermal Mass Flow Controllers are designed to indicate and control set flow rates of gases.

The GFC combines the characteristics and accuracy of conventional mass flow devices into a unique compact design at low costs previously unattainable.

Each of these controllers incorporates an advanced U shape tube sensor in conjunction with flow passage elements constructed of aluminum and brass for non-corrosive gases or 316 stainless steel for corrosive applications. Zero and span adjustments are accessible from the outside of transmitters.

### Principles of Operation

Metered gases are divided into two laminar flow paths, one through the primary flow conduit, and the other through a capillary sensor tube. Both flow conduits are designed to ensure laminar flows and therefore the ratio of their flow rates is constant.

Two precision temperature sensing windings on the sensor tube are heated, and when flow takes place, gas carries heat from the upstream to the downstream windings. The resultant temperature differential is proportional to the change in resistance of the sensor windings.

A Wheatstone bridge design is used to monitor the temperature dependent resistance gradient on the sensor windings which is linearly proportional to the instantaneous rate of flow.

Output signals of 0 to 5Vdc and 4 to 20mA are generated indicating mass molecular based flow rates of the metered gas. The combined gas streams flow through a proportionating electromagnetic valve with an appropriately selected orifice. The closed loop control circuit continuously monitors the mass flow output and maintains it at the set flow rate.

Flow rates are unaffected by temperature and pressure variations within stated limitations.

### Design Features

- Rigid metallic construction.
- Maximum pressure of 1000 psig (70 bars).
- Leak integrity  $1 \times 10^{-9}$  smL/sec of helium.
- NIST traceable certification.
- Built-in tiltable LCD readout.
- Local or remote setpoint control.
- 0-5 Vdc and 4-20 mA signals.
- Circuit protection.
- TIO Totalizer option.

### General Description

Compact, self-contained GFC mass flow controllers are designed to indicate and control flow rates of gases. The rugged design coupled with instrumentation grade accuracy provides versatile and economical means of flow control. Aluminum or stainless steel models with readout options of either engineering units (standard) or 0 to 100 percent displays are available. The built-in electromagnetic valve allows the flow to be set to any desired flow rate within the range of the particular model.



Typical Stainless Steel GFC Mass Flow Controller

Setpoints are controlled either locally or remotely. The valve is normally closed as a safety feature to ensure that gas flow is shut off in case of a power outage. The LCD readout built into the top of the transducer is tiltable over 90 degrees to provide optimal reading comfort. It is connected to the transducer by a standard modular plug, and is readily removable for remote reading installations. Transducers without LCD readout are offered for OEM applications. GFC mass flow controllers are available with flow ranges from 10 mL/min to 1000 L/min N<sub>2</sub>. Gases are connected by means of 1/4", 3/8", or optional 1/8" compression fittings and 3/4" FNPT fittings. Optional fittings are available. These controllers may be used as bench top units or mounted by means of screws in the base. Transducer power supply ports are fuse and polarity protected.

## Leak Integrity

1 x 10<sup>-9</sup> mL/sec of helium maximum to the outside environment.

**TABLE 22 - SPECIFICATIONS**

| ACCURACY:                            | ACCURACY %FS   |  |                | OPTIONAL ENHANCED ACCURACY %FS |             |                |       |                   |
|--------------------------------------|--|--|----------------|--------------------------------|-------------|----------------|-------|-------------------|
|                                      | MODEL:   | GFC 17, 37, 47   | GFC 57, 67, 77 |                                | MODEL:      | GFC 57, 67, 77 |       |                   |
|                                      | FLOW RANGE:  | 0-100%   | 20-100%        | 0-20%                          | FLOW RANGE: | 20-100%        | 0-20% |                   |
|                                      | ACCURACY:  | ±1.0%  | ±1.5%          | ±3%                            | ACCURACY:   | ±1%            | ±1.0% | REF DATA with ±1% |
| <b>CALIBRATIONS:</b>                 | Performed at standard conditions [14.7 psia (101.4 kPa) and 70 °F (21.1 °C)] unless otherwise requested.   |  |                |                                |             |                |       |                   |
| <b>REPEATABILITY:</b>                | ±0.5% of full scale.   |  |                |                                |             |                |       |                   |
| <b>RESPONSE TIME:</b>                | <b>GFC17:</b>  | 300ms time constant; approximately 1 second to within ±2% of set flow rate for 25% to 100% of full scale flow.   |                |                                |             |                |       |                   |
|                                      | <b>GFC 37/47:</b>  | 600ms time constant; approximately 2 seconds to within ±2% of set flow rate for 25% to 100% of full scale flow.  |                |                                |             |                |       |                   |
|                                      | <b>GFC 57/67/77:</b>   | 1800ms time constant; approximately 5 seconds to within ±2% of set flow rate for 25% to 100% of full scale flow. |                |                                |             |                |       |                   |
| <b>TEMPERATURE COEFFICIENT:</b>      | 0.15% of full scale / °C.  |  |                |                                |             |                |       |                   |
| <b>PRESSURE COEFFICIENT:</b>         | 0.01% of full scale / psi (0.07 bar).  |  |                |                                |             |                |       |                   |
| <b>PRESSURE DROP:</b>                | See Table 24.  |  |                |                                |             |                |       |                   |
| <b>OPTIMUM GAS PRESSURE:</b>         | 25 psig (1.73 bars).   |  |                |                                |             |                |       |                   |
| <b>MAX. GAS PRESSURE:</b>            | 1000 psig (70 bars) maximum GFC 17, 37, 47. 500 psig (34.5 bars) GFC 57, 67, 77.   |  |                |                                |             |                |       |                   |
| <b>TURN DOWN RATIO:</b>              | 40:1.  |  |                |                                |             |                |       |                   |
| <b>MAX. DIFF. PRESSURE:</b>          | 50 psi for GFC 17/37/57/67 and 77 (3.4 bars), 40 psi for 47 (2.7 bars).  |  |                |                                |             |                |       |                   |
| <b>GAS AND AMBIENT TEMP:</b>         | 32 °F to 122 °F (0 °C to 50 °C). 14 °F to 122 °F (-10 °C to 50 °C) - Dry gases only.   |  |                |                                |             |                |       |                   |
| <b>**MATERIALS IN FLUID CONTACT:</b> | <b>a.</b> Aluminum models GFC Series: anodized aluminum, 316 stainless steel, brass and FKM O-rings.<br><b>b.</b> Stainless steel models GFC17S, 37S, 47S, 57S, 67S and 77S: 316 stainless steel and FKM O-rings. Optional O-rings: Buna® EPR and FFKM.  |  |                |                                |             |                |       |                   |
| <b>ATTITUDE SENSITIVITY:</b>         | No greater than +15 degree rotation from horizontal to vertical; standard calibration is in horizontal position.   |  |                |                                |             |                |       |                   |
| <b>OUTPUT SIGNALS:</b>               | Linear 0-5 Vdc. (1000 ohms min. load impedance); 4-20 mA (0-500 ohms loop resistance) Max noise ±20mV.   |  |                |                                |             |                |       |                   |
| <b>COMMAND SIGNALS:</b>              | Analog 0-5 Vdc or 4-20 mA for remote set point mode; NPN compatible purge /valve off.  |  |                |                                |             |                |       |                   |
| <b>CONNECTIONS:</b>                  | <b>GFC 17:</b> 1/4" compression fittings. Optional: 6mm, 3/8" and 1/8" compression fittings or 1/4" VCR® .<br><b>GFC 37:</b> 1/4" compression fittings. Optional: 6mm and 3/8" compression fittings or 1/4" VCR® .<br><b>GFC 47:</b> 3/8" compression fittings.<br><b>GFC 57:</b> 3/8" compression fittings.<br><b>GFC 67:</b> 1/2" compression fittings.<br><b>GFC 77:</b> 3/4" FNPT fittings. Optional: 3/4" compression fittings. |  |                |                                |             |                |       |                   |
| <b>LEAK INTEGRITY:</b>               | 1 x 10 <sup>-9</sup> smL/sec of helium maximum to the outside environment.   |  |                |                                |             |                |       |                   |
| <b>TRANSDUCER INPUT POWER:</b>       | <b>GFC 17, 37 and 47:</b> Universal +12 Vdc to 26 Vdc, 650 mA maximum.<br><b>GFC 57, 67 and 77:</b> +12 Vdc, 800 mA; +24 Vdc, 650 mA optional.   |  |                |                                |             |                |       |                   |
| <b>CIRCUIT PROTECTION:</b>           | Circuit boards have built-in polarity reversal protection. Resettable fuses provide power input protection.  |  |                |                                |             |                |       |                   |
| <b>DISPLAY:</b>                      | 3-1/2 digit LCD, 0.5" high characters.   |  |                |                                |             |                |       |                   |
| <b>CE COMPLIANT:</b>                 | EN 55011 class 1, class B; EN50082-1.  |  |                |                                |             |                |       |                   |

*\*\*The selection of materials of construction, is the responsibility of the customer. The company accepts no liability.*

TABLE 23 - FLOW RANGES FOR GFC

| GFC 17 LOW FLOW MASS FLOW CONTROLLER              |                            |
|---|----------------------------|
| CODE  | mL / min [N <sub>2</sub> ] |
| 01  | 0 to 10                    |
| 02  | 0 to 20                    |
| 03  | 0 to 50                    |
| 04  | 0 to 100                   |
| 05  | 0 to 200                   |
| 06  | 0 to 500                   |
| CODE  | L / min [N <sub>2</sub> ]  |
| 07  | 0 to 1                     |
| 08  | 0 to 2                     |
| 09  | 0 to 5                     |
| 10  | 0 to 10                    |
| GFC 37 MEDIUM FLOW MASS FLOW CONTROLLER           |                            |
| 11  | 0 to 15                    |
| 30  | 0 to 20                    |
| 31  | 0 to 30                    |
| 32  | 0 to 40                    |
| 33  | 0 to 50                    |
| GFC 47 /57 /67 /77 HIGH FLOW MASS FLOW CONTROLLER |                            |
| 40  | 0 to 60                    |
| 41  | 0 to 80                    |
| 42  | 0 to 100                   |
| 50  | 0 to 200                   |
| 60  | 0 to 500                   |
| 70  | 0 to 1000                  |

TABLE 24 - MAXIMUM PRESSURE DROP FOR GFC

| MODEL  | FLOW RATE (N <sub>2</sub> ) [liters/min] | MAXIMUM PRESSURE DROP |        |        |
|--------|--|-----------------------|--------|--------|
|        |  | [mm H <sub>2</sub> O] | [psid] | [mbar] |
| GFC 17 | up to 10                                 | 720                   | 1.06   | 75     |
|        | 15                                       | 2630                  | 3.87   | 266    |
|        | 20                                       | 1360                  | 2.00   | 138    |
| GFC 37 | 30                                       | 2380                  | 3.50   | 241    |
|        | 40                                       | 3740                  | 5.50   | 379    |
|        | 50                                       | 5440                  | 8.00   | 551    |
| GFC 47 | 60                                       | 7480                  | 11.00  | 758    |
|        | 100                                      | 12850                 | 18.89  | 1302   |
| GFC 57 | 200                                      | 7031                  | 10.00  | 690    |
| GFC 67 | 500                                      | 8437                  | 12.00  | 827    |
| GFC 77 | 1000                                     | 10547                 | 15.00  | 1034   |

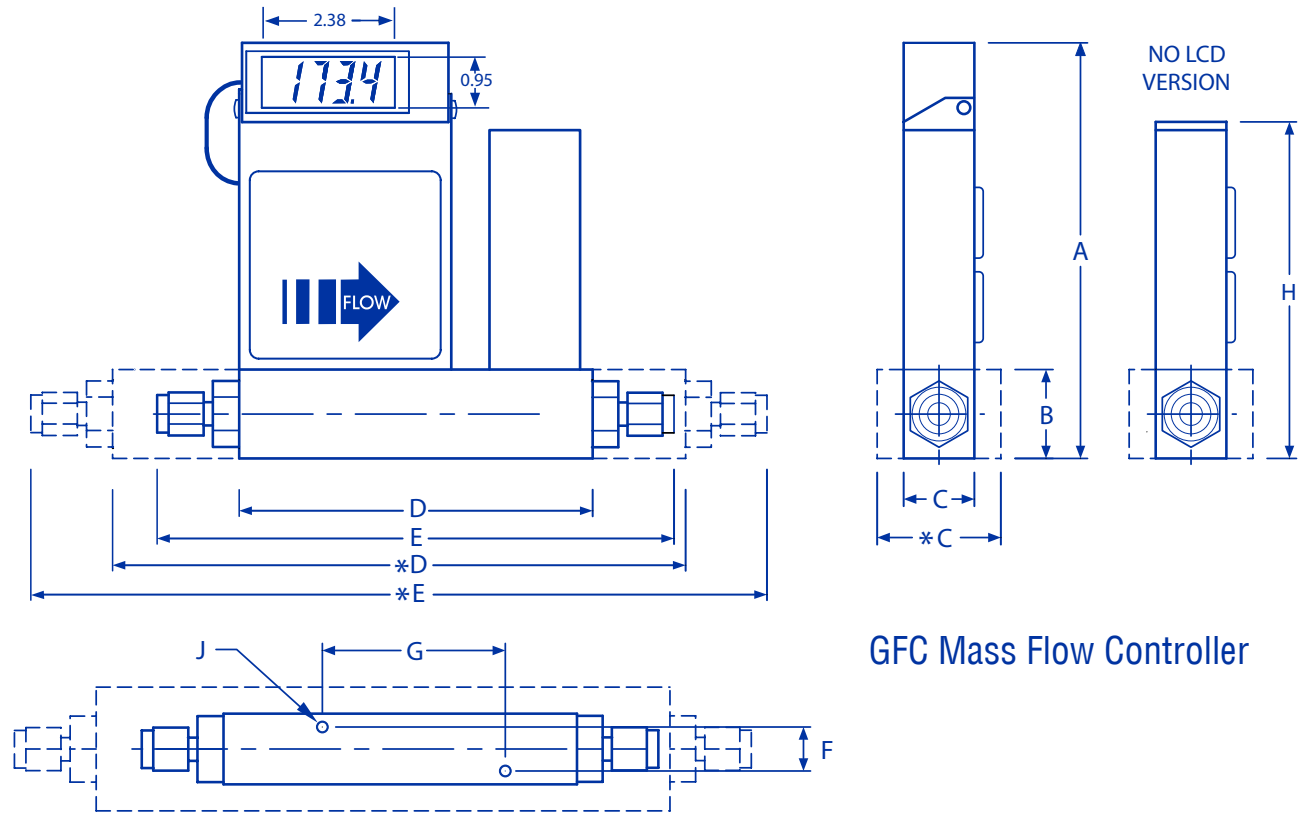
## GFC 57, 67 and 77 Series Aluminum and Stainless Mass Flow Controllers



TABLE 25 - ACCESSORIES FOR GFC

| POWER SUPPLY - BATTERY PACK - CABLES |  |
|--------------------------------------|--|
| PS-GFC-110NA-2                       | Power Supply, 110 V/12 Vdc /North America          |
| PS-GFC-110NA-4                       | Power Supply, 110 V/24 Vdc /North America          |
| PS-GFC-230EU-2                       | Power Supply, 220 V/12 Vdc /Europe                 |
| PS-GFC-230EU-4                       | Power Supply, 220 V/24 Vdc /Europe                 |
| PS-GFC-240UK-2                       | Power Supply 240 V/12 Vdc /United Kingdom          |
| PS-GFC-240UK-4                       | Power Supply 240 V/24 Vdc /United Kingdom          |
| PS-GFC-240AU-2                       | Power Supply 240 V/12 Vdc /Australia               |
| PS-GFC-240AU-4                       | Power Supply 240 V/24 Vdc /Australia               |
| CBL-DGS                              | Cable, Shielded 15-pin D-connector /end terminated |
| 17/3RC                               | Remote Cable, 3 feet long                          |
| 17/R                                 | Remote LCD readout with 3 feet long cable          |

**For Totalizer Input/Output Flow Monitor/ Controller options see page 56.**



GFC Mass Flow Controller

NOTE: Aalborg® reserves the right to change designs and dimensions at its sole discretion at any time without notice. For certified dimensions please contact Aalborg®.

TABLE 26 - DIMENSION FOR GFC

| MODEL  | CONNECTION<br>COMPRESSION FITTING<br>(except model GFC 77) | DIMENSION (INCH) |      |      |       |      |      |      |           |                  |
|--------|--|------------------|------|------|-------|------|------|------|-----------|------------------|
|        |  | LCD VERSION      |      |      |       |      |      |      | NO<br>LCD | MOUNTING<br>HOLE |
|        |  | A                | B    | C/*C | D/*D  | E/*E | F    | G    |           |                  |
| GFC 17 | 1/4" Tube O Diameter                                       | 5.72             | 1.00 | 1.00 | 4.27  | 6.29 | 0.69 | 2.69 | 4.61      | 6-32 x 0.13      |
|        |  |                  |      | *C   | *D    | *E   |      |      |           |                  |
| GFC 37 | 1/4" Tube O Diameter                                       | 6.10             | 1.37 | 1.25 | 5.19  | 7.21 | 0.69 | 2.69 | 4.99      | 6-32 x 0.10      |
| GFC 47 | 3/8" Tube O Diameter                                       | 6.10             | 1.37 | 1.25 | 5.19  | 7.33 | 0.69 | 2.69 | 4.99      | 6-32 x 0.10      |
| GFC 57 | 3/8" Tube O Diameter                                       | 6.73             | 2.00 | 1.75 | 10.2  | 12.3 | 1.39 | 4.69 | 5.62      | 10-24 x 0.25     |
| GFC 67 | 1/2" Tube O Diameter                                       | 7.55             | 3.00 | 3.00 | 10.24 | 12.4 | 2.5  | 6.80 | 6.53      | 1/4-20 x 0.35    |
| GFC 77 | 3/4" NPT Female  | 8.66             | 4.00 | 4.00 | 10.5  | —    | 3.0  | 6.80 | 7.55      | 1/4-20 x 0.35    |

For Specific Flow Ranges Contact Aalborg Customer Service Department.



Configure and Order Online: [GFC Mass Flow Controller](#)

|                             |                             |                    |
|-----------------------------|-----------------------------|--------------------|
| GFC                         | MODEL                       |                    |
| MAX. FLOW (N <sub>2</sub> ) |                             |                    |
| 17                          | 10 L/min                    |                    |
| 37                          | 50 L/min                    |                    |
| 47                          | 100 L/min                   |                    |
| 57                          | 200 L/min                   |                    |
| 67                          | 500 L/min                   |                    |
| 77                          | 1000 L/min                  |                    |
| MATERIAL                    |                             |                    |
| A                           | Aluminum                    |                    |
| S                           | Stainless Steel             |                    |
| SEALS                       |                             |                    |
| V                           | FKM                         |                    |
| B                           | Buna®                       |                    |
| E                           | EPR                         |                    |
| T                           | FFKM                        |                    |
| FITTINGS                    |                             |                    |
| A                           | 1/4" Compression            | GFC 17, 37         |
| B                           | 1/8" Compression            | GFC 17             |
| C                           | 1/4" VCR®                   | GFC 17, 37         |
| D                           | 3/8" Compression            | GFC 17, 37, 47, 57 |
| E                           | 1/2" Compression            | GFC 67             |
| F                           | 3/4" FNPT                   | GFC 77             |
| G                           | 3/4" Compression            | GFC 77             |
| H                           | 6mm Compression             | GFC 17, 37         |
| DISPLAY                     |                             |                    |
| N                           | No display                  |                    |
| L                           | LCD readout                 |                    |
| POWER                       |                             |                    |
| 6                           | Universal +12 Vdc to 26 Vdc | GFC 17, 37 and 47  |
| 2                           | 12 Vdc                      | GFC 57, 67 and 77  |
| 4                           | 24 Vdc                      | GFC 57, 67 and 77  |
| INPUT/OUTPUT SIGNAL         |                             |                    |
| A                           | Local 0-5 Vdc               |                    |
| B                           | Local 4-20 mA               |                    |
| C                           | 0-5Vdc/0-5Vdc               |                    |
| D                           | 0-5Vdc/4-20mA               |                    |
| E                           | 4-20mA/4-20mA               |                    |
| F                           | 4-20mA/0-5Vdc               |                    |
| DIGITAL INTERFACE           |                             |                    |
| O                           | None                        |                    |

GFC 17 S — V A L 2 — C O

**EXAMPLE: GFC17S-VAL2-CO 10 L/min [N<sub>2</sub>] 20 psig**

**SPECIFY: Flow Range, Gas and Pressure** \*n.a. = not applicable.

GFC17 stainless steel, FKM seals, 1/4" compression fittings with display, 12Vdc, 0-5 Vdc. Out put signal, No digital interface

DPC04, DPC08, DPC14, DPC18, DPC37 and DPC47



## DPC57, DPC67 and DPC77



## Design Features

- Available with corrosion-resistant wetted materials (DPC/08/18/38/48/58/68/78 Series) and low pressure drop (BREEZE™ DPC04/14).
- Simultaneously displays Mass Flow, Volumetric Flow, Pressure and Temperature.
- Multi-Gas functionality: support for 90 different gases and gas mixes.
- “User Defined Mixture” functionality allows to create and store up to 20 custom gas mixes with up to 5 different gases each.
- Quick (100-150 ms) response time.<sup>1</sup>
- Standard accuracy  $\pm$  (0.5% RD + 0.2% FS).
- 200 to 1 turn-down ratio.
- Two programmable mass flow rate totalizers.
- High, Low or In Range Alarms with preset action delay for Mass Flow, Temperature and Pressure.
- User programmable mass flow rate Pulse Output (via SSR).
- Extensive Self Diagnostics with status LED or OLED indication.
- All 3 user selectable analog input and output interfaces are standard: 0-5Vdc, 0-10Vdc, 4-20mA.
- Two user selectable digital communication interfaces (RS-232 and RS-485) are standard.
- Optional Modbus RTU network interface with isolated RS485 transceiver.
- User programmable solid state relay with latch option.
- Universal 12-26 Vdc power supply input (for DPC07/17/37/47). For DPC57/67/77 24-26Vdc.
- Local high contrast OLED (optional) graphic display with joystick control.
- Free, easy-to-use configuration and calibration software (RS-232/RS-485).
- Programmable set point table with ramping up/down capability up to 16 steps.

## General Description

Aalborg Instruments' DPC series precision digital mass flow controller provides accurate and stable control of mass flow rates, of process gases. With simultaneous displays of Mass Flow, Volumetric Flow, Pressure and Temperature parameters it can be used in a variety of industries: scientific and analytical applications, bioreactors and surface depositions, gas sampling, manufacturing and metrology activities.

DPC flow controllers support various functions including: user selectable local, analog, digital or program set point control, two programmable flow totalizers, low, high or range flow, temperature and pressure alarms, automatic zero adjustment (activated via local or communication interface), programmable SSR relay, programmable 0-5 Vdc, 0-10 Vdc or 4-20 mA analog inputs and outputs, user-programmable pulse output (via SSR), and extensive self-diagnostics functionalities.

DPC differential pressure mass flow controllers feature totalizers with batch processing mode (0.5% RD + 0.2%FS) standard accuracy, 200:1 turn-down ratio and less than 150 ms response time.

Significant savings are apparent, comparing to the cost of a single DPC embodying these features, with that of acquiring and installing multiple, application-specific devices.

## Principles of Operation

Operation of DPC flow controllers is based on the measurement of the differential pressure across specially designed restrictor flow elements. The restrictor flow element is designed to establish laminar flow across the entire range of the instrument's operation from 0 to 133% of full scale range.

A high accuracy and high resolution **differential** pressure sensor is utilized to measure pressure drop across a laminar flow channel, which is linearly proportional to volumetric flow rate. To convert volumetric flow into mass flow, high accuracy and high resolution **absolute** pressure and temperature sensors are utilized. Based on data from the sensors and gas properties from the built-in data base of the instrument, the micro-controller calculates volumetric and mass flow, which along with pressure and temperature parameters are available on the instrument display or via digital interfaces. In addition, the mass flow reading is accessible via the instrument analog interface which can be set by user to 0-5, 0-10 Vdc or 4-20mA mode.

1. For DPC with full scale 20 sml/min and lower the response time may be slightly longer.
2. Digital Signal provide access to Mass Flow, Volumetric Flow, Pressure, Temperature, Totalizers, Alarms.

TABLE 27 - DPC FLOW RANGES

| MODEL NO.                   | FULL SCALE MASS FLOW RATE | PRESSURE DROP AT FULL SCALE FLOW (PSID) | PROCESS CONNECTION  |
|-----------------------------|---------------------------|---|---------------------|
| DPC04 (Low DP, BREEZE)      | 0.5 sml/min to 20 smL/min | 0.08                                    | 10-32 Female Thread |
| DPC07                       | 0.5 to 50 sml/min         | 1.0                                     | 10-32 Female Thread |
| DPC08 (Corrosive-resistant) |                           |   |                     |
| DPC14 (Low DP, BREEZE)      | 21 smL/min to 2 sL/min    | 0.19                                    | 1/8" NPT Female     |
| DPC17                       | 51 smL/min to 20 sL/min   | 1.0 - 20.0                              | 1/8" NPT Female     |
| DPC18 (Corrosive-resistant) |                           |   |                     |
| DPC37                       | 21 sL/min to 50 sL/min    | 5.0 - 8.5                               | 1/4" NPT Female     |
| DPC47                       | 51 sL/min to 100 sL/min   | 10.0 - 20.0                             | 1/4" NPT Female     |
| DPC57                       | 250 sL/min                | 2.5                                     | 1/2" NPT Female     |
| DPC67                       | 500 sL/min                | 6.9                                     | 3/4" NPT Female     |
| DPC77                       | 1000 sL/min               | 15.0                                    | 3/4" NPT Female     |

**TABLE 28 - DPC ACCESSORY'S**

| <b>FITTINGS</b>                       |  |  |
|---------------------------------------|--|--|
| <b>MODEL NO.</b>                      | <b>FITTING CODE</b>  | <b>DESCRIPTION</b>   |
| <b>DPC04 / 07 / 08</b>                | F1C5   | 10-32 Thread, 1/8" Tubing, Compression, 316 ss.              |
| <b>DPC04 / 07</b>                     | F2C5   | 10-32 Thread, 1/8" Tubing, Compression, Nickel Plated Brass. |
| <b>DPC14/ 17 / 18</b>                 | F2C2   | 1/8" NPT Thread, 1/8" tubing, Compression, 316 ss.           |
| <b>DPC14/ 17 / 18</b>                 | F2C4   | 1/8" NPT Thread, 1/4" tubing, Compression, 316 ss.           |
| <b>DPC37</b>                          | F4C4   | 1/4" NPT Thread, 1/4" tubing, Compression, 316 ss.           |
| <b>DPC47</b>                          | F4C6   | 1/4" NPT Thread, 3/8" tubing, Compression, 316 ss.           |
| <b>DPC57</b>                          | F8C6   | 1/2" NPT Thread, 3/8" tubing, Compression, 300 series ss.    |
| <b>DPC57</b>                          | F8C8   | 1/2" NPT Thread, 1/2" tubing, Compression, 300 series ss.    |
| <b>DPC67 / 77</b>                     | 1210-1-12-316  | 3/4" NPT Thread, 3/4" tubing, Compression, 300 series ss.    |
| <b>POWER SUPPLIES</b>                 |  |  |
| <b>PS-GFM-110NA-2</b>                 | Power Supply, 110 V / 12 Vdc / North America.  |  |
| <b>PS-GFM-110NA-4</b>                 | Power Supply, 110 V / 24 Vdc / North America.  |  |
| <b>PS-GFM-230EU-2</b>                 | Power Supply, 220 V / 12 Vdc / Europe.   |  |
| <b>PS-GFM-230EU-4</b>                 | Power Supply, 220 V / 24Vdc / Europe.  |  |
| <b>PS-GFM-240UK-2</b>                 | Power Supply, 240 V / 12 Vdc / United Kingdom.   |  |
| <b>CABLES</b>                         |  |  |
| <b>CBL-A232</b>                       | Communication Cable for DPC with RS-232 Interface 1.5 FT 3.5 mm stereo audio con. with 3-wire to 9 pins female D-connector (included with each DPC). |  |
| <b>CBL-A485DP</b>                     | Communication Cable for DPC with RS-485 Interface 3 FT 3.5mm stereo audio con. with 3-wire to stripped ends.   |  |
| <b>CBL-8MINIDIN-3</b>                 | Shielded cable 8 pins MinDin with stripped ends 3 feet long.   |  |
| <b>CBL-8MINIDIN-12</b>                | Shielded cable 8 pins MinDin with stripped ends 12 feet long.  |  |
| <b>COMMUNICATION PORT ACCESSORIES</b> |  |  |
| <b>USB-RS232</b>                      | USB to RS232 converter.  |  |
| <b>USB-RS485</b>                      | USB to RS485 converter.  |  |
| <b>MODBUS INTERFACE ACCESSORIES</b>   |  |  |
| <b>ECS803-1</b>                       | RJ45 shielded Y-adapter (Passive TAP).   |  |
| <b>TDG1026-8C</b>                     | RJ45 Modular Coupler.  |  |
| <b>MOD27T</b>                         | RJ45 Line Terminator (100 Ohm 0.25 W).   |  |
| <b>JMOD4S-1</b>                       | RJ45 Splitter fully shielded (5xRJ45, 1 input 4 outputs).  |  |
| <b>TRD815BL-2</b>                     | Category 5E Patch Twisted Pair Cable, RJ45 / RJ45, Blue 2.0 feet.  |  |
| <b>TRD815BL-10</b>                    | Category 5E Patch Twisted Pair Cable, RJ45 / RJ45, Blue 10.0 feet.   |  |
| <b>TRD815BL-25</b>                    | Category 5E Patch Twisted Pair Cable, RJ45 / RJ45, Blue 25.0 feet.   |  |

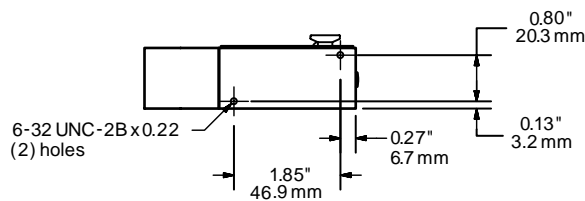
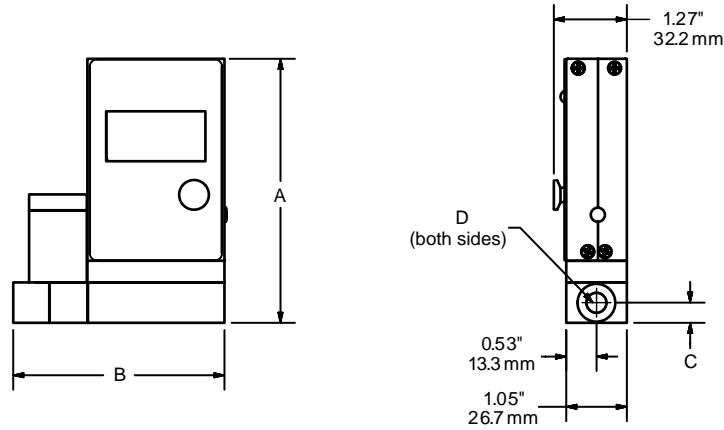
**TABLE 29 - DPC SPECIFICATIONS**

|  |  |
|--|--|
| <b>FLOW MEDIUM:</b>  | Please note that DPC04/07/14/17/37/47/57/67/77 mass flow controllers are designed to work only with clean, non-corrosive gases. The DPC08/18/38/48/58/68/78 mass flow controllers are also compatible with corrosive gases listed in the instrument's operating manual. Never try to control flow rates of liquids with any DPC.                   |
| <b>CALIBRATIONS:</b>   | Performed at standard conditions [14.7 psia (101.4 kPa) and 70 °F (21.1 °C)] unless otherwise requested or stated.   |
| <b>ENVIRONMENTAL (PER IEC 664):</b>  | Installation Level II; Pollution Degree II.  |
| <b>FLOW ACCURACY (INCLUDING LINEARITY):</b>                                    | ±(0.5% RD + 0.2% FS) at calibration temperature and pressure conditions after tare.  |
| <b>REPEATABILITY:</b>  | ±0.2% of full scale.   |
| <b>FLOW TEMPERATURE COEFFICIENT:</b>   | 0.05% of full scale/ °C or better.   |
| <b>FLOW PRESSURE COEFFICIENT:</b>  | 0.01% of full scale/psi (6.895 kPa) or better.   |
| <b>TYPICAL FLOW RESPONSE TIME:</b>   | Default 150 ms (adjustable). <sup>1</sup>  |
| <b>INSTRUMENT WARM-UP TIME:</b>  | < 5 seconds.   |
| <b>MAXIMUM CONTROLLABLE FLOW RANGE:</b>  | 133% Full Scale.   |
| <b>OPERATING RANGE / TURNDOWN RATIO:</b>                                       | 0.5% to 100% Full Scale / 200:1.   |
| <b>MASS REFERENCE CONDITIONS STP):</b>   | 70 °F & 14.696 PSIA (other available on request).  |
| <b>MAXIMUM INTERNAL GAS PRESSURE (STATIC):</b>                                 | DPC07/17/37/47/57/67/77: 120 PSIG<br>DPC04/14: 50 PSIG<br>DPC08/18/38/48/58/68/78 150 PSIG   |
| <b>MAXIMUM INSTANTANEOUS DIFFERENTIAL PRESSURE ACROSS DIFFERENTIAL SENSOR:</b> | DPC07/17/37/47/57/67/77: 12 PSID<br>DPC04/14: 9.75 PSID<br>DPC08/18/38/48/58/68/78 10 PSID   |
| <b>PROOF PRESSURE:</b>   | DPC07/17/37/47/57/67/77: 145 PSIG<br>DPC04/14: 50 PSIG<br>DPC08/18/38/48/58/68/78 175 PSIG   |
| <b>VALVE TYPE:</b>   | Normally Closed.   |
| <b>VALVE MAXIMUM OPERATING PRESSURE (WITH UPSTREAM CONFIGURATION)</b>          | DPC04/07/08/14/18: (<2 sL/min) - 150 PSIG<br>DPC17/18: (2 ÷ 5 sL/min) - 100 PSIG<br>DPC17/18: (5 ÷ 20 sL/min) - 50 PSIG<br>DPC37/38/47/48: 50 PSIG<br>DPC57/58/67/68/77/78: 50 PSIG  |
| <b>OPERATING TEMPERATURE:</b>  | -10 to +60 °C (14 to 140 °F).  |
| <b>MOUNTING ATTITUDE SENSITIVITY:</b>  | DPC04/07/14/17/37/47: None.<br>57/58/67/68/77/78: Mount with valve cylinder vertical and upright position.<br>08/18/38/48: None after differential pressure sensor Tare procedure.   |
| <b>RELATIVE GAS HUMIDITY RANGE:</b>  | 0 to 100% (Non -Condensing).   |
| <b>INGRESS PROTECTION:</b>   | IP40.  |
| <b>LEAK INTEGRITY:</b>   | 1 x 10 <sup>-9</sup> sccs He max to the outside environment.   |
| <b>ANALOG OUTPUT SIGNALS:</b>  | Linear 0-5 Vdc (3000 ohms min. load impedance);<br>Linear 0-10 Vdc (5000 ohms min. load impedance);<br>Linear 4-20 mA (550 ohms maximum loop resistance) with power supply ≥ 14Vdc.<br>Maximum noise 10mV peak to peak (for 0-5/0-10 Vdc output).  |
| <b>ANALOG SET POINT INPUT SIGNALS</b>  | Linear 0-5 Vdc, 0-10Vdc (100K input impedance).<br>Linear 4-20mA (250 Ohm input impedance).  |
| <b>TRANSDUCER INPUT POWER:</b>   | 12 to 26 Vdc, 150 mV maximum peak to peak output noise. Power consumption: 250 mA maximum for DPC04/07/14/17, 300mA maximum for DPC37/47. 24 to 26 Vdc for DPC57/67/77 (Power consumption: 650 mA maximum) circuit board have built-in polarity reversal protection, 300mA (750mA for DPC57/67/77) resettable fuse provide power input protection. |
| <b>DIGITAL OUTPUT SIGNALS <sup>2</sup>:</b>                                    | Standard RS-232 or RS-485 (user selectable). Optional Modbus over isolated RS-485 transceiver.   |
| <b>**MATERIALS FLUID CONTACT:</b>  | 316 stainless steel, 416 stainless steel, high temperature polyamide, alumina ceramic, poxy, silicone, glass, gold. FKM O-rings.   |
| <b>CORROSION-RESISTANT:</b>  | 316 stainless steel, FKM or FFKM O-rings.  |

1. For DPC with full scale 20 sml/min and lower the response time may be slightly longer.

2. Digital Signal provide access to Mass Flow, Volumetric Flow, Pressure, Temperature, Totalizers, Alarms.

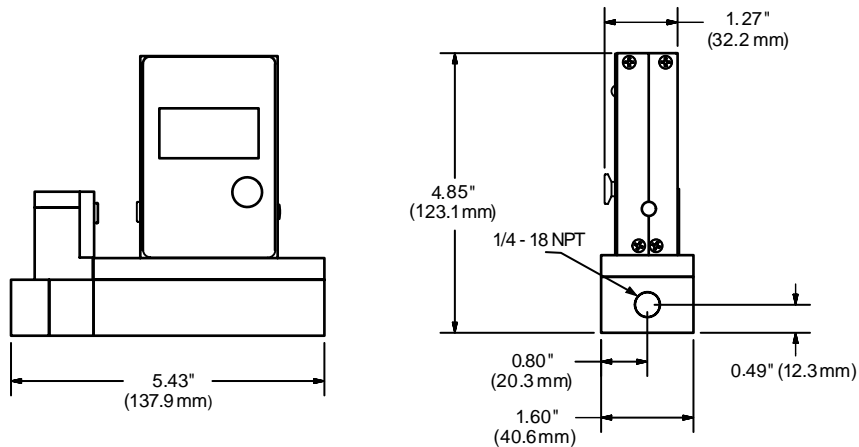
\*\*The selection of materials of construction, is the responsibility of the customer. The company accepts no liability.



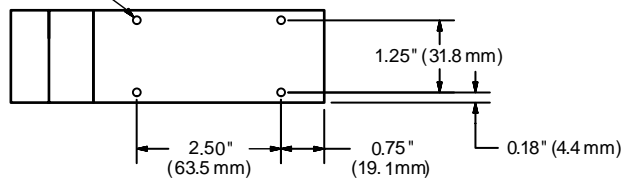
### Low Flow Controller Dimensional Drawing

|                         | A (non-corrosive) | A (corrosive resistant) | B                | C               | D         |
|-------------------------|-------------------|-------------------------|------------------|-----------------|-----------|
| DPC04* / DPC07/ DPC08** | 3.68" (93.4 mm)   | 4.98 (126.5 mm)         | 4.58" (116.2 mm) | 0.34" (8.5 mm)  | 10-32 UNF |
| DPC14*                  | 3.85" (97.7 mm)   |                         | 4.84" (122.8 mm) | 0.42" (10.7 mm) | 1/4 NPT   |
| DPC17/DPC18**           | 3.66" (92.9 mm)   | 5.13 (130.4 mm)         | 4.40" (111.8 mm) | 0.35" (8.9 mm)  | 1/8 NPT   |

- \* Breeze Models
- \*\* Corrosive Resistance Models

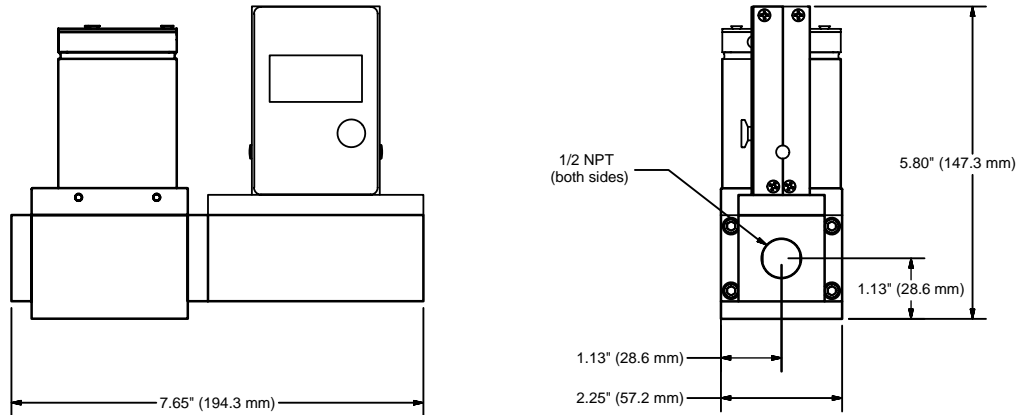


8-32 UNC-2B x 0.30

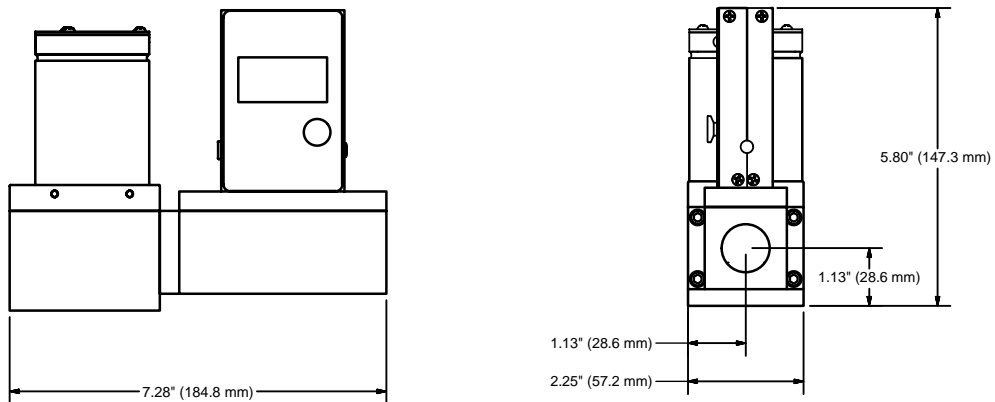
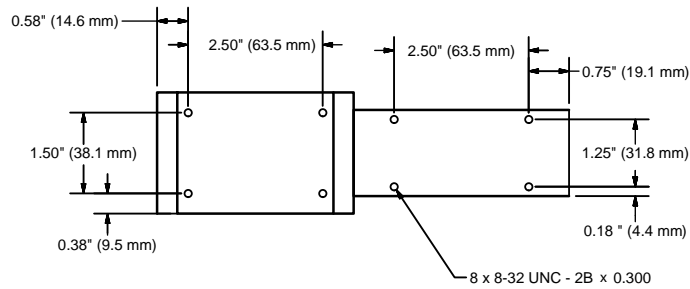


### DPC37 and DPC47 Dimensional Drawing

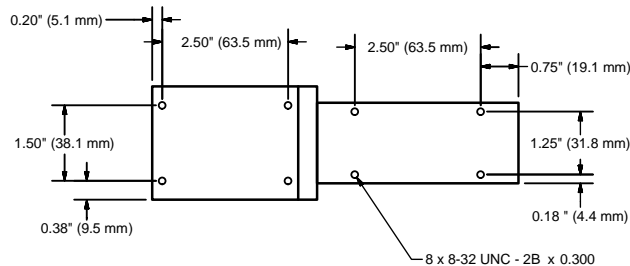
NOTE: Aalborg® reserves the right to change designs and dimensions at its sole discretion at any time without notice. For certified dimensions please contact Aalborg®.



**DPC 57**  
Dimensional  
Drawing



**DPC67 and DPC77**  
Dimensional  
Drawing



NOTE: Aalborg® reserves the right to change designs and dimensions at its sole discretion at any time without notice. For certified dimensions please contact Aalborg®.



**ORDERING INFORMATION PRECISION DIGITAL MASS FLOW CONTROLLER WITH MULTI-GAS FUNCTIONALITY**

**DPC**

Configure and Order Online: [DPC Mass Flow Controller](#)

|                               |  |                         |                         |   |   |   |   |   |   |
|-------------------------------|--|-------------------------|-------------------------|---|---|---|---|---|---|
| DPC                           | MODEL  |                         |                         |   |   |   |   |   |   |
|                               | MAX FLOW (Air)                                     |                         |                         |   |   |   |   |   |   |
| Standard Pressure Drop        | 07   | 0.5 sL/min to 50 sL/min |                         |   |   |   |   |   |   |
|                               | 17   | 51 sL/min to 20 sL/min  |                         |   |   |   |   |   |   |
|                               | 37   | 21 sL/min to 50 sL/min  |                         |   |   |   |   |   |   |
|                               | 47   | 51 sL/min to 100 sL/min |                         |   |   |   |   |   |   |
|                               | 57   | 250 sL/min              |                         |   |   |   |   |   |   |
|                               | 67   | 500 sL/min              |                         |   |   |   |   |   |   |
|                               | 77   | 1000 sL/min             |                         |   |   |   |   |   |   |
|                               | Corrosion-Resistant                                | 08                      | 0.5 sL/min to 50 sL/min |   |   |   |   |   |   |
| 18                            |  | 51 sL/min to 20 sL/min  |                         |   |   |   |   |   |   |
| Breeze™ Low Pressure Drop     | 04   | 0.5 sL/min to 20 sL/min |                         |   |   |   |   |   |   |
|                               | 14   | 21 sL/min to 2 sL/min   |                         |   |   |   |   |   |   |
| MATERIAL                      |  |                         |                         |   |   |   |   |   |   |
| S                             | Stainless Steel                                    |                         |                         |   |   |   |   |   |   |
| SEALS                         |  |                         |                         |   |   |   |   |   |   |
| V                             | FKM  |                         |                         |   |   |   |   |   |   |
| T                             | FFKM   |                         |                         |   |   |   |   |   |   |
| CONNECTIONS                   |  |                         |                         |   |   |   |   |   |   |
| 0                             | Not Included (Optional Accessory)                  |                         |                         |   |   |   |   |   |   |
| OLED READOUT                  |  |                         |                         |   |   |   |   |   |   |
| N                             | NO Display   |                         |                         |   |   |   |   |   |   |
| L                             | OLED Readout                                       |                         |                         |   |   |   |   |   |   |
| POWER                         |  |                         |                         |   |   |   |   |   |   |
| 6                             | Universal 12 to 26 Vdc (24-26 Vdc for DPC57/67/77) |                         |                         |   |   |   |   |   |   |
| SET POINT ANALOG INPUT SIGNAL |  |                         |                         |   |   |   |   |   |   |
| A                             | 0-5 Vdc  |                         |                         |   |   |   |   |   |   |
| B                             | 4-20 mA  |                         |                         |   |   |   |   |   |   |
| M                             | 0-10 Vdc   |                         |                         |   |   |   |   |   |   |
| OUTPUT SIGNAL                 |  |                         |                         |   |   |   |   |   |   |
| A                             | 0-5 Vdc  |                         |                         |   |   |   |   |   |   |
| B                             | 4-20 mA  |                         |                         |   |   |   |   |   |   |
| M                             | 0-10 Vdc   |                         |                         |   |   |   |   |   |   |
| DIGITAL INTERFACE             |  |                         |                         |   |   |   |   |   |   |
| 2                             | RS232  |                         |                         |   |   |   |   |   |   |
| 5                             | RS485  |                         |                         |   |   |   |   |   |   |
| 3                             | RS232 with Modbus                                  |                         |                         |   |   |   |   |   |   |
| 4                             | RS485 with Modbus                                  |                         |                         |   |   |   |   |   |   |
| DPC                           | 17   | S                       | V                       | 0 | L | 6 | A | A | 3 |

**EXAMPLE: DPC17S-VOL6-AA3**

**SPECIFY: Flow Range, Gas and Pressure** \*n.a. = not applicable.

DPC17, 316 stainless steel, FKM seals, with OLED readout 12-26 Vdc, 0-5 Vdc input signal ,0-5 Vdc output signal,RS 232 with Modbus

GFM

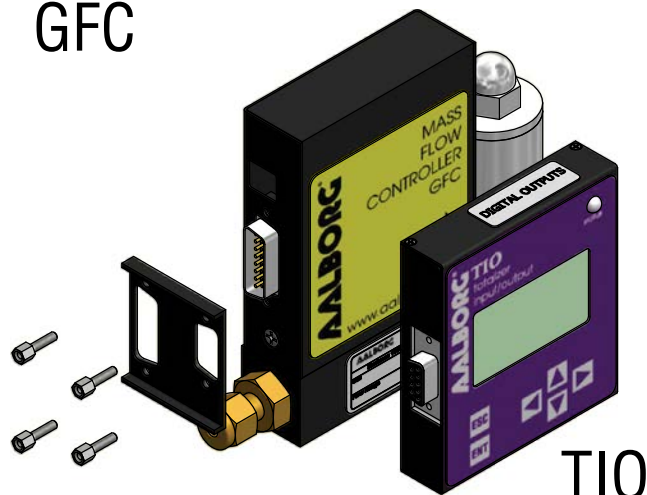


TIO



GFM with TIO Mounted

GFC



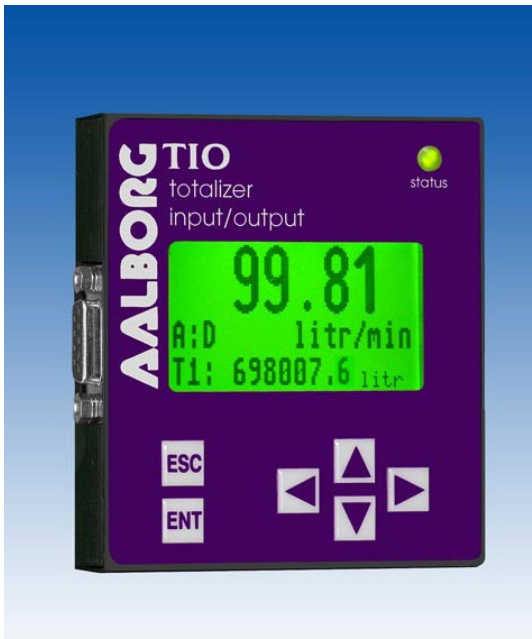
TIO



GFC with TIO Mounted

## Design Features

- Displays instantaneous, total and accumulated flow rates.
- Built-in Flow Linearizer (10 point linearization of the flow curve).
- Up to 47 different volumetric and mass flow engineering units.
- Large 13mm (0.51") digits for flow rate and 5.5mm (0.21") for Total.
- Digital RS-232 or RS-485 interface (multi-drop capability of up to 64 devices.)
- Compact design for unit mount, panel mount, wall mount or field mount applications.
- User-programmable, optically-isolated pulse output.
- Two programmable, optically-isolated, digital outputs.
- Flow controllers, set point command control via local LCD or digital interface.
- Programmable set point table with ramping up/down capability up to 16 steps.
- Free Configuration and Monitoring Utility software.



## Applications

For flow meters and controllers with analog 0-5 (5-10) (0-10)Vdc, 4-20mA input output interface, where flow indications / control and totalizers or alarm functions are required. Also when re-transmission of the flow rate and/or totalizer functions via optically-isolated pulse output or serial communication is desired. Local or programmable set point control for flow controllers (no host PC presence required). Activation of user-supplied equipment via programmable optically-isolated digital outputs when flow alarms or totalizers events are active.

## Display

The graphical LCD display has large 13mm (0.51") digits for flow rate and 5.5mm (0.21") for total and can be set by user to simultaneously show different combination of the flow parameters: flow rate, totalizers, flow alarms, and diagnostic events . All configuration parameter settings are easily accessed via a simple user-interface menu driven by a 6 button keypad which can be password-protected.

## Design Features

- 0-5 Vdc (Input/Output) For flow meters and / or flow controllers, TIO provides jumpers selectable for 0-5 Vdc
- 5-10 Vdc (Output only) or 4-20 mA analog set point control signals. The flow rate set point can be adjusted
- 0-10 Vdc (Input/Output) locally via keypad, remotely via host PC using digital communication interface, or pro-
- 4-20 mA (Input/Output) grammed in advance using built-in 16 steps batch table with ramping up/down support.

## Programmable Pulse Output

The programmable flow pulse output is operating independently from totalizers and based on configuration settings can provide pulse frequency proportional to instantaneous fluid flow rate.

The LCD/keypad and digital communication interface commands are provided to:

- Enable/Disable Pulse Output.
- Configure Pulse Output start flow rate (in % of full scale).
- Configure the Unit/Pulse value (in current volumetric or mass flow units).
- Configure Pulse Active On Time (10 - 6550 ms).

## Programmable Totalizers

TIO provides two independent programmable flow totalizers. Both totalizers are updated every 100 ms and can be set to activate different events. Main totalizer accumulated total is backed-up in EEPROM memory every second.

The LCD/keypad and digital communication interface commands are provided to:

- Enable/Disable totalizing the flow.
- Start the totalizer at a preset flow rate (in % of full scale).
- Assign action at a preset total volume (Event Volume).
- Configure power on delay (in seconds).
- Configure Auto Reset at preset volume.
- Configure Auto Reset delay (in seconds).
- Reset the totalizer to ZERO.

## Programmable Alarms

TIO provides the user with a flexible alarm/warning system that monitors the fluid flow for conditions that fall outside configurable limits as well as visual feedback for the user via the LCD or via an optically-isolated output. The flow alarm has several attributes which can be configured by the user via LCD/Keypad or digital communication interface:

- Enable/Disable flow alarm.
- Low flow alarm settings (in % of full scale).
- High flow alarm settings (in % of full scale).
- Flow alarm action delay.
- Flow alarm action latch mode.

## Digital Communication

All process data and settings can be read and modified manually via local LCD Keypad or through the digital RS-232 or RS-485 communication interface. Proprietary ASCII software interface command set and free Communication Utility software are provided.

**TABLE 30 - SPECIFICATIONS**

|   |  |
|---|--|
| <b>ADC/DAC RESOLUTION:</b>  | 12 bit.  |
| <b>ANALOG INPUTS</b>  | 0-5 Vdc, 4-20 mA, 5-10 Vdc (jumper-selectable), 0-10 Vdc (special order)   |
| <b>ANALOG OUTPUTS:</b>  | 0-5 Vdc, 4-20 mA (jumper-selectable)   |
| <b>LCD:</b>   | 128x64 graphic LCD with instantaneous Flow reading and Total volume indication. Adjustable LCD contrast and back light.  |
| <b>KEYPAD:</b>  | Local 6 tactical push buttons.   |
| <b>PULSE OUTPUT:</b>  | User-programmable, optically-isolated, with preset active low time interval (10 – 6550 ms).  |
| <b>DIGITAL OUTPUT:</b>  | Two programmable, optically-isolated, UCE @ 40Vdc, ICE @ 150 mA (Voltage Isolation: 250 Vrms).   |
| <b>DIGITAL INTERFACE:<br/>PROTOCOL:<br/>SPEED:<br/>CONFIGURATION:</b> | RS-232 or RS-485 (multi-drop capability up to 64 devices)<br>Proprietary ASCII software interface command set.<br>1200 - 2400 - 4800 - 9600 -19200 – 38400 – 57600 – 115200 baud (user selectable).<br><b>Stop bit:</b> 1<br><b>Data bits:</b> 8<br><b>Parity:</b> None<br><b>Flow Control:</b> None |
| <b>ADDRESSING:<br/>TYPE:</b>  | Maximum 255 addresses (for RS-485 option only).<br>RS232 or RS485 2-wire.<br>RS232 or RS485 2-wire.  |
| <b>POWER REQUIREMENTS:</b>  | 12 – 26 Vdc (up to 60 mA maximum).   |
| <b>INTERFACE<br/>CONNECTORS:</b>                                      | Process I/O signals and Digital RS-232/RS-485 interface – miniature 9 pin female D-SUB connector.<br>Digital optically-isolated outputs: TERM BLOCK HEADER 4POS 3.5MM Male Pins, Shrouded.   |
| <b>ENVIRONMENT:</b>   | Installation Level II, Pollution Degree II, (Per IEC 664).   |
| <b>ELECTROMAGNETIC<br/>COMPATIBILITY:</b>                             | Compliant ref. 89/336/EEC as amended. Emission Standard: EN 55011:1991,<br>Group 1, Class A Immunity Standard: EN 55082- 1:1992  |
| <b>OPERATING TEMPERATURE:</b>   | -10 °C to +70 °C (14°F to +158 °F).  |
| <b>DIMENSIONS:</b>  | 86.4 x 76.2 x 19.1 mm (3.4" x 3.0" x 0.75") - W x H x D.   |
| <b>WEIGHT:</b>  | Appr. 125g / 0.3 lbs.  |

**TABLE 31 - TIO ACCESSORY'S**

| PART NUMBER             | DESCRIPTION  | WHEN REQUIRED   |
|-------------------------|--|---|
| <b>KIT-TM-DD</b>        | GFM flow meter mounting kit, shielded cable with two 9 pins D-connectors for process signals and communication branch.                                     | GFM + digital communication with Host PC or PLC.  |
| <b>KIT-TM-RD</b>        | GFM flow meter mounting kit, 4 wire cable between GFM RJ11 and TIO 9 pin D-connector.  | GFM (12 Vdc power option only), 5-10 Vdc input, no digital communication.                                 |
| <b>KIT-TM-FD</b>        | GFM flow meter mounting kit, flat wire cable between GFM and TIO 9 pin D-connectors.   | GFM, 0-5Vdc input no digital communication.   |
| <b>KIT-TC-110NA-2C</b>  | GFC flow controller mounting kit, shielded cable with North America plug 110 Vac to 12 Vdc power supply, communication branch.                             | GFC, 0-5 Vdc input, North America 12 Vdc power supply, digital communication.                             |
| <b>KIT-TC-110NA-2N</b>  | GFC flow controller mounting kit, shielded cable with North America plug 110 Vac to 12 Vdc power supply.   | GFC, 0-5 Vdc input, North America 12 Vdc power supply.  |
| <b>KIT-TC-110NA-4C</b>  | GFC flow controller mounting kit, shielded cable with North America plug 110 Vac to 24 Vdc power supply, communication branch.                             | GFC, 0-5 Vdc input, North America 24 Vdc power supply, digital communication.                             |
| <b>KIT-TC-110NA-4N</b>  | GFC flow controller mounting kit, shielded cable with North America plug 110 Vac to 24 Vdc power supply.   | GFC, 0-5 Vdc input, Europe 12 Vdc power supply.   |
| <b>KIT-TC-230EU-2C</b>  | GFC flow controller mounting kit, shielded cable with EUROPE plug 230 Vac to 12 Vdc power supply, communication branch.                                    | GFC, 0-5 Vdc input, Europe 12 Vdc power supply, digital communication.                                    |
| <b>KIT-TC-230EU -2N</b> | GFC flow controller mounting kit, shielded cable with EUROPE plug 230 Vac to 12 Vdc power supply.  | GFC, 0-5 Vdc input, Europe 24 Vdc power supply.   |
| <b>KIT-TC-230EU -4C</b> | GFC flow controller mounting kit, shielded cable with EUROPE plug 230 Vac to 24 Vdc power supply, communication branch.                                    | GFC, 0-5 Vdc input, Europe 24 Vdc power supply, digital communication.                                    |
| <b>KIT-TC-230EU -4N</b> | GFC flow controller mounting kit, shielded cable with EUROPE plug 230 Vac to 24 Vdc power supply.  | GFC, 0-5 Vdc input, Australia 12 Vdc power supply.  |
| <b>KIT-TC-240AU-2C</b>  | GFC flow controller mounting kit, shielded cable with AUSTRALIA plug 240 Vac to 12 Vdc power supply, communication branch.                                 | GFC, 0-5 Vdc input, Australia 12 Vdc power supply digital communication.                                  |
| <b>KIT-TC-240AU-2N</b>  | GFC flow controller mounting kit, shielded cable with AUSTRALIA plug 240 Vac to 12 Vdc power supply.   | GFC, 0-5 Vdc input, Australia 24 Vdc power supply.  |
| <b>KIT-TC-240AU-4C</b>  | GFC flow controller mounting kit, shielded cable with AUSTRALIA plug 240 Vac to 24 Vdc power supply, communication branch.                                 | GFC, 0-5 Vdc input, Australia 24 Vdc power supply digital communication.                                  |
| <b>KIT-TC-240AU-4N</b>  | GFC flow controller mounting kit, shielded cable with AUSTRALIA plug 240 Vac to 12 Vdc power supply.   | GFC, 0-5 Vdc input, UK 12 Vdc power supply.   |
| <b>KIT-TC-240UK-2C</b>  | GFC flow controller mounting kit, shielded cable with UK plug 240 Vac to 12 Vdc power supply, communication branch.  | GFC, 0-5 Vdc input, UK 12 Vdc power supply digital communication.   |
| <b>KIT-TC-240UK -2N</b> | GFC flow controller mounting kit, shielded cable with UK plug 240 Vac to 12 Vdc power supply.  | GFC, 0-5 Vdc input, UK 24 Vdc power supply.   |
| <b>KIT-TC-240UK -4C</b> | GFC flow controller mounting kit, shielded cable with UK plug 240 Vac to 24 Vdc power supply, communication branch.  | GFC, 0-5 Vdc input, UK 24 Vdc power supply digital communication.   |
| <b>KIT-TC-240UK-4N</b>  | GFC flow controller mounting kit, shielded cable with UK plug 240 Vac to 24 Vdc power supply.  | GFC, 0-5 Vdc input, UK 24 Vdc power supply.   |
| <b>KIT-TC-240UK-2AC</b> | GFC flow controller mounting kit, shielded cable with UK plug 240 Vac to 12 Vdc power supply, communication branch, analog 4-20 mA output branch from GFC. | GFC, 0-5 Vdc input, UK 12 Vdc power supply, digital communication, analog 4-20 mA output branch from GFC. |
| <b>KIT-TC-240UK-4AC</b> | GFC flow controller mounting kit, shielded cable with UK plug 240 Vac to 24 Vdc power supply, communication branch, analog 4-20 mA output branch from GFC. | GFC, 0-5 Vdc input, UK 24 Vdc power supply, digital communication, analog 4-20 mA output branch from GFC. |
| <b>KIT-TM</b>           | GFM flow meter mounting kit, no cables.  | GFM, user-supplied custom cables.   |
| <b>KIT-TC</b>           | GFC flow controller mounting kit, no cables.   | GFC, user-supplied custom cables.   |
| <b>CBL-DA9-X</b>        | 9 conductor round shielded cable consisting of a 9 pin Female "D" Sub-Connector (plug) on one end, and loose wires on the other end.                       | For TIO stand alone option, user-supplied power supply.   |

Note: X – represent the length of the cable in feet.

Configure and Order Online: [TIO Accessory Totalizer Input/Output](#)

| TIO  | MODEL                  |                   |   |   |                        |   |              |   |          |   |          |
|--|------------------------|-------------------|---|---|------------------------|---|--------------|---|----------|---|----------|
| <table border="1"> <tr> <th colspan="2">DISPLAY / KEYPAD</th> </tr> <tr> <td>N</td> <td>No Display / No Keypad</td> </tr> <tr> <td>L</td> <td>LCD / Keypad</td> </tr> </table>   |                        | DISPLAY / KEYPAD  |   | N | No Display / No Keypad | L | LCD / Keypad |   |          |   |          |
| DISPLAY / KEYPAD   |                        |                   |   |   |                        |   |              |   |          |   |          |
| N  | No Display / No Keypad |                   |   |   |                        |   |              |   |          |   |          |
| L  | LCD / Keypad           |                   |   |   |                        |   |              |   |          |   |          |
| <table border="1"> <tr> <th colspan="2">INPUT SIGNAL</th> </tr> <tr> <td>A</td> <td>0-5 Vdc</td> </tr> <tr> <td>B</td> <td>4-20 mA</td> </tr> <tr> <td>C</td> <td>0-10 Vdc</td> </tr> <tr> <td>D</td> <td>5-10 Vdc</td> </tr> </table> |                        | INPUT SIGNAL      |   | A | 0-5 Vdc                | B | 4-20 mA      | C | 0-10 Vdc | D | 5-10 Vdc |
| INPUT SIGNAL   |                        |                   |   |   |                        |   |              |   |          |   |          |
| A  | 0-5 Vdc                |                   |   |   |                        |   |              |   |          |   |          |
| B  | 4-20 mA                |                   |   |   |                        |   |              |   |          |   |          |
| C  | 0-10 Vdc               |                   |   |   |                        |   |              |   |          |   |          |
| D  | 5-10 Vdc               |                   |   |   |                        |   |              |   |          |   |          |
| <table border="1"> <tr> <th colspan="2">OUTPUT SIGNAL</th> </tr> <tr> <td>A</td> <td>0-5 Vdc</td> </tr> <tr> <td>B</td> <td>4-20 mA</td> </tr> <tr> <td>C</td> <td>0-10 Vdc</td> </tr> </table>  |                        | OUTPUT SIGNAL     |   | A | 0-5 Vdc                | B | 4-20 mA      | C | 0-10 Vdc |   |          |
| OUTPUT SIGNAL  |                        |                   |   |   |                        |   |              |   |          |   |          |
| A  | 0-5 Vdc                |                   |   |   |                        |   |              |   |          |   |          |
| B  | 4-20 mA                |                   |   |   |                        |   |              |   |          |   |          |
| C  | 0-10 Vdc               |                   |   |   |                        |   |              |   |          |   |          |
| <table border="1"> <tr> <th colspan="2">DIGITAL INTERFACE</th> </tr> <tr> <td>2</td> <td>RS-232</td> </tr> <tr> <td>5</td> <td>RS-485</td> </tr> </table>  |                        | DIGITAL INTERFACE |   | 2 | RS-232                 | 5 | RS-485       |   |          |   |          |
| DIGITAL INTERFACE  |                        |                   |   |   |                        |   |              |   |          |   |          |
| 2  | RS-232                 |                   |   |   |                        |   |              |   |          |   |          |
| 5  | RS-485                 |                   |   |   |                        |   |              |   |          |   |          |
| TIO  | —                      | L                 | A | A | 2                      |   |              |   |          |   |          |

### EXAMPLE: TIO-LAA2

Totalizer I/O Flow Monitor / Controller with LCD Keypad, 0-5 Vdc Input, 0-5 Vdc Output and RS-232 Digital Interface.

## Programmable Mass Flow Controller with Digital Signal Processing

Microprocessor driven **digital** flow controllers allow one to program, record, and analyze flow rates of various gases with a computer via an RS-485 interface. Optional RS-232 is available.

Controllers can be programmed for various control functions including flow set point, totalizer, stop totalizer, read totalizer, totalizer from preset flow, stop at preset total, auto zero, and more.



## Design Features

- Digital and Analog modes operate simultaneously.
- Programmable Flow Configurations.
- Multi-Drop Capability of up to 256 units.
- Stores calibration data for up to 10 gases.
- Auto Tune function for optimum control response.
- Free PC Software with Gas Blending and Programmable Flow functions.
- Totalizer indicates total gas quantity.
- Alarm limits for high and low gas flow.
- Conversion factors for up to 256 gases.
- Self-Diagnostic Tests.

## Principles of Operation

Metered gases are divided into two laminar flow paths, one through the primary flow conduit, and the other through a capillary sensor tube. Both flow conduits are designed to ensure laminar flows and therefore the ratio of their flow rates is constant.

Two precision temperature sensing windings on the sensor tube are heated, and when flow takes place, gas carries heat from the upstream to the downstream windings. The resultant temperature differential is proportional to the change in resistance of the sensor windings.

A Wheatstone bridge design is used to monitor the temperature dependent resistance gradient on the sensor windings which is linearly proportional to the instantaneous rate of flow. The output of the Wheatstone bridge is converted to digital format with a 12 Bit ADC (analog to digital converter).

An on-board microprocessor and non-volatile memory store all calibration factors and directly control a proportionating electromagnetic valve. The digital closed loop control system continuously compares the mass flow output with the selected flow rate.

Deviations from the set point are corrected by compensating valve adjustments, with PID algorithm thus maintaining the desired flow parameters with a high degree of accuracy. Output signals of 0 to 10Vdc, 0 to 5Vdc or 4 to 20mA are generated indicating mass molecular based flow rates of the metered gas.

## Interface

The digital RS-485 (optional RS-232) interface provides access to applicable internal data including **FLOW SET POINT, ACTUAL FLOW, ZERO ADJUSTMENTS, and LINEARIZATION TABLE ADJUSTMENTS.**

The analog interface provides 0 to 5Vdc, 0 to 10Vdc and 4 to 20 mA inputs and outputs.

## Auto Zero

The DFC automatically nulls the sensor zero offset whenever the flow set point is below 2% of full scale. To accommodate this feature the control valve must fully close under that condition. Provisions are made to either disable, force or store the current auto zero via digital commands.

## Totalizer

The firmware for the DFC provides functions to register total gas quantity. The total mass of gas is calculated by integrating the actual gas flow rate with respect to time.

**Digital interface commands are provided to:**

- Set the totalizer to zero.
- Start /stop totalizing the flow.
- Read the totalizer.
- Start the totalizer at a preset flow.
- Stop the flow at a preset total.



## Multi-Gas Calibration

The DFC is capable of storing primary calibration data for up to 10 gases. This feature allows the same DFC to be calibrated for multiple gases while maintaining the rated accuracy on each.

## Conversion Factors

Conversion factors for up to 256 gases are stored in the DFC. Conversion factors may be applied to any of the ten gas calibrations via digital interface commands.

## Flow Alarms

High and Low gas flow ALARM limits are programmed using the digital interface. Alarm conditions are reported via the digital interface or can activate the contact closure outputs.

## Gas Blending Feature

Aalborg free software allows controlling flow of the Gas mixture of up to eight different gases (for RS-485 bus with 8 DFC controllers) with preset values of the ratio in % for each channel. The flow rate of the Gas Mixture can be incremented or decremented within allowable range (based on Full Scale range of all DFC controllers in the mixture system) by changing the Gas Mixture set point settings. The software will automatically adjust individual set point for each device according to set ratios.

## Programmable Flow

Aalborg software supports programmable flow modes, allowing execution of custom programming of up to ten steps. Various flow configurations include ramping, linearized increasing and decreasing modes.

## Auto Tune

The AUTO TUNE function allows the DFC to automatically optimize control response for the gas under actual process conditions. During the AUTO TUNE process, the instrument adjusts PID gains for optimum step response and determine key control valve characteristics (only available on units with less than 80 L/min maximum flow).

## Contact Closure

Two sets of dry contact relay outputs are provided to actuate user supplied equipment. These are programmable via the digital interface such that the relays can be made to switch when a specified event occurs (e.g. when a low or high flow alarm limit is exceeded or when the totalizer reaches a specified value).

## Valve Override

Means are provided to force the control valve fully open (purge) or fully closed via either the analog or digital interfaces.

## Self-Diagnostics

Whenever power is first applied, the DFC runs a series of SELF-DIAGNOSTIC TESTS to ensure that it is in optimum working condition.

## Engineering Units

The flow set point, measured gas flow and associated totalizer data is scaled directly in engineering units via digital interface commands. The following units of measure are supported: % of FS, mL/min, mL/hr, scfm, scfh, L/min, L/hr, lbs/hr, lbs/min, and one user defined unit of measure.

## Leak Integrity

$1 \times 10^{-9}$  smL/sec of Helium maximum to the outside environment.

## Balanced Power Supply

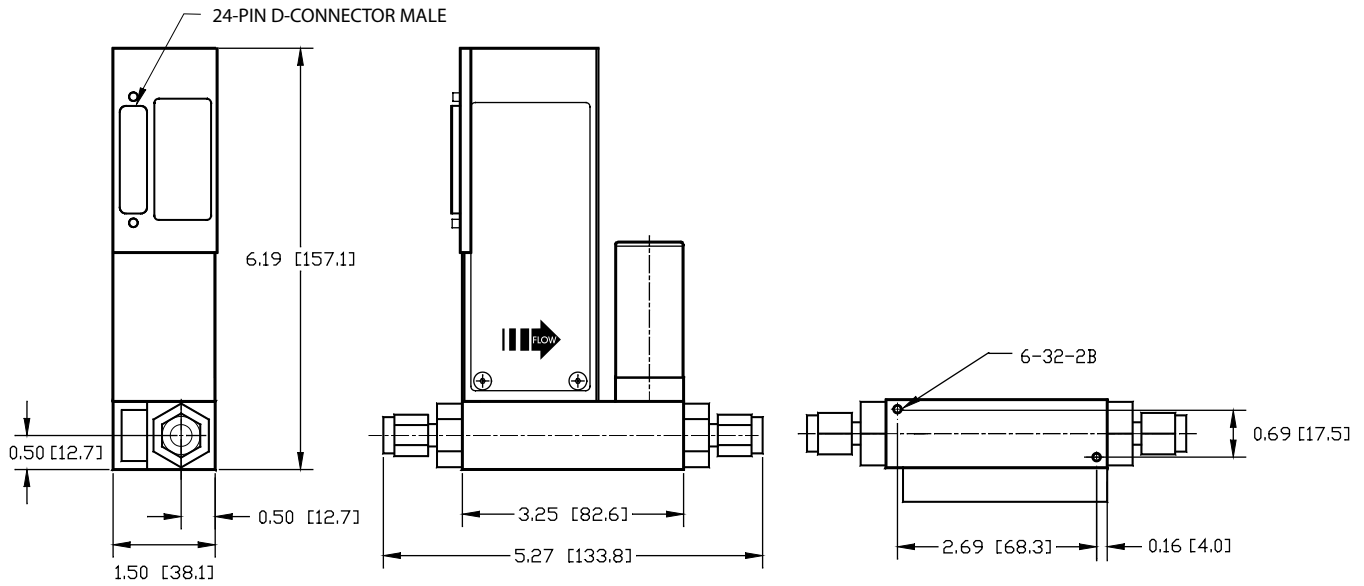
The DFC operates on  $\pm 15$ Vdc. The current requirements for the positive and negative power supplies are balanced such that the current in the power supply common connection is minimized. Maximum power consumption is 13.5 watts at  $\pm 15$ Vdc.

TABLE 32 - SPECIFICATIONS

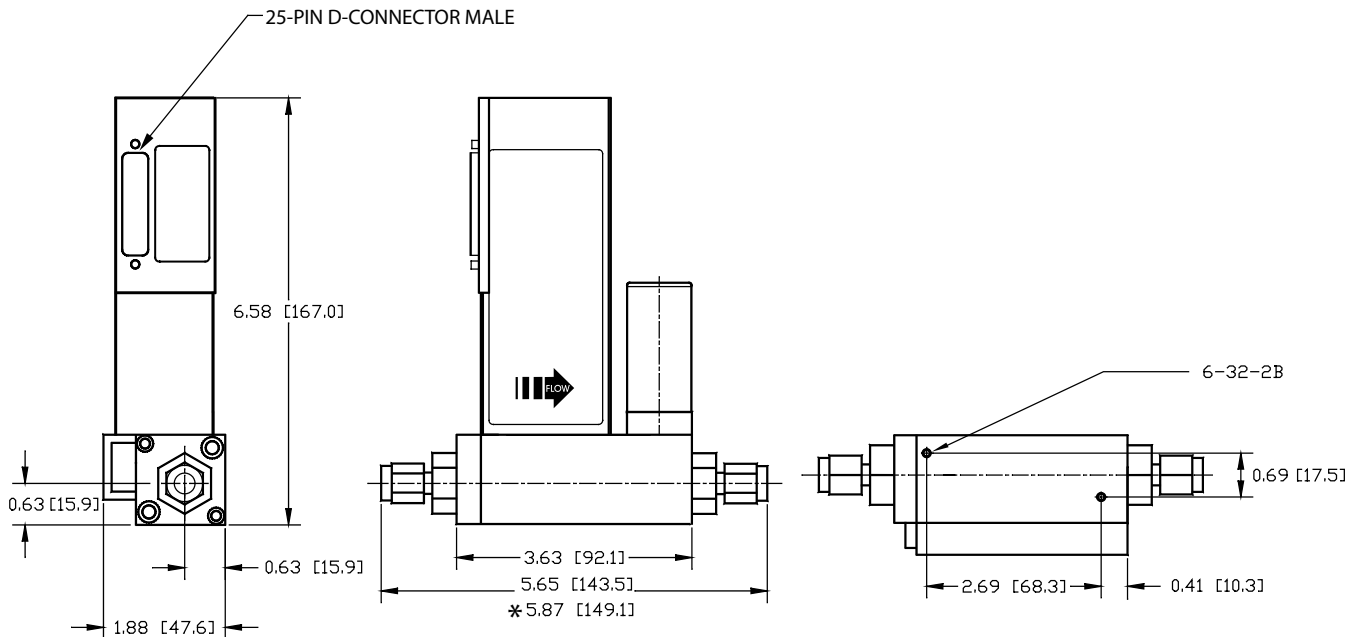
|                                       |   |
|---------------------------------------|---|
| <b>ACCURACY:</b>                      | ±1% of FS at calibration temperature and pressure.  |
| <b>CALIBRATIONS:</b>                  | Performed at standard conditions [14.7 psia (101.4 kPa) and 70 °F (21.1 °C)] unless otherwise requested.  |
| <b>REPEATABILITY:</b>                 | ±0.15% of full scale.   |
| <b>RESPONSE TIME:</b>                 | 1.0 to 2.0 second to within ±2% of set point over 20% to 100% of full scale.  |
| <b>TEMPERATURE COEFFICIENT:</b>       | 0.05% of full scale/ °F or better.  |
| <b>PRESSURE COEFFICIENT:</b>          | 0.01% of full scale /psi (0.07 bar) or better.  |
| <b>OPTIMUM GAS PRESSURE:</b>          | 25 psig (1.73 bars).  |
| <b>MAXIMUM GAS PRESSURE:</b>          | 1000 psig (70 bars).  |
| <b>MAXIMUM DIFFERENTIAL PRESSURE:</b> | 50 psig (3.4 bars) for DFC 26 and DFC 36 40 psig (2.8 bars) for DFC 46  |
| <b>MAX PRESSURE DROP:</b>             | Refer to Table 35.  |
| <b>GAS AND AMBIENT TEMP:</b>          | 32 °F to 122 °F (0 °C to 50 °C). 14 °F to 122 °F (-10 °C to 50 °C) - Dry gases only.  |
| <b>COMMUNICATION INTERFACE:</b>       | RS485 - Standard. RS232 - Optional.   |
| <b>OUTPUT SIGNALS:</b>                | Linear 0-5 Vdc (2000 ohms min load impedance); 0-10Vdc (4000 ohms min impedance); 4-20 mA optional (0-500 ohms\ loop resistance). Maximum noise 20mV peak to peak.  |
| <b>CIRCUIT PROTECTION:</b>            | Circuit boards have built-in polarity reversal protection. Resettable fuses provide power input protection.   |
| <b>**MATERIALS IN FLUID CONTACT:</b>  | 316 stainless steel, 416 stainless steel, FKM O-rings. Optional O-rings: Buna <sup>®</sup> , EPR and FFKM.  |
| <b>ATTITUDE SENSITIVITY:</b>          | No greater than +15 degree rotation from horizontal to vertical; standard calibration is in horizontal position.  |
| <b>CONNECTIONS:</b>                   | <b>Model DFC 26/36:</b> Standard 1/4" compression fittings.<br><b>Optional:</b> 6mm compression fittings or 3/8" compression fittings or 1/4" VCR <sup>®</sup> or 1/8" compression fittings (DFC 26).<br><b>Model DFC 46:</b> standard 3/8" compression fittings. |
| <b>LEAK INTEGRITY:</b>                | 1 x 10 <sup>-9</sup> smL/sec of helium maximum to the outside environment.  |
| <b>TRANSDUCER INPUT POWER:</b>        | +15Vdc, 450 mA maximum.   |
| <b>CALIBRATION OPTIONS:</b>           | Standard 10 point NIST traceable calibration. Optional up to 9 additional 10 point calibrations may be ordered for an additional charge.  |
| <b>CE COMPLIANCE:</b>                 | EN 55011 class 1, class B; EN50082-1.   |

*\*\*The selection of materials of construction, is the responsibility of the customer. The company accepts no liability.*

DFC 26 Mass Flow Controller



DFC 36/46 Mass Flow Controller



\* FOR HIGH FLOW MASS FLOW CONTROLLERS

NOTE: Aalborg® reserves the right to change designs and dimensions at its sole discretion at any time without notice. For certified dimensions please contact Aalborg®.

**TABLE 33 - FLOW RANGES FOR DFC**

| DFC 26 LOW FLOW CONTROLLERS |                  | DFC 36 MEDIUM FLOW CONTROLLERS |                         | DFC 46 HIGH FLOW CONTROLLERS |                         |
|-----------------------------|------------------|--------------------------------|-------------------------|------------------------------|-------------------------|
| CODE                        | Units [Nitrogen] | CODE                           | L/min [N <sub>2</sub> ] | CODE                         | L/min [N <sub>2</sub> ] |
| 01                          | 0 to 10 mL/min   | 11                             | 0 to 15 L/min           | 40                           | 0 to 60 L/min           |
| 02                          | 0 to 20 mL/min   | 30                             | 0 to 20 L/min           | 41                           | 0 to 80 L/min           |
| 03                          | 0 to 50 mL/min   | 31                             | 0 to 30 L/min           | 42                           | 0 to 100 L/min          |
| 04                          | 0 to 100 mL/min  | 32                             | 0 to 40 L/min           |                              |                         |
| 05                          | 0 to 200 mL/min  | 33                             | 0 to 50 L/min           |                              |                         |
| 06                          | 0 to 500 mL/min  |                                |                         |                              |                         |
| 07                          | 0 to 1 L/min     |                                |                         |                              |                         |
| 08                          | 0 to 2 L/min     |                                |                         |                              |                         |
| 09                          | 0 to 5 L/min     |                                |                         |                              |                         |
| 10                          | 0 to 10 L/min    |                                |                         |                              |                         |

**TABLE 35 - MAXIMUM PRESSURE DROP FOR DFC**

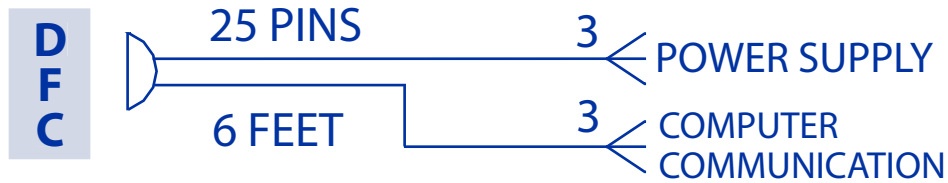
| MODEL NO. | MAX. FLOW (N <sub>2</sub> ) | MAXIMUM PRESSURE DROP |        |        |
|-----------|-----------------------------|-----------------------|--------|--------|
|           |                             | [mm H <sub>2</sub> O] | [psid] | [mbar] |
| DFC 26    | up to 10                    | 720                   | 1.06   | 75     |
|           | 15                          | 2630                  | 3.87   | 266    |
| DFC 36    | 20                          | 1360                  | 2.00   | 138    |
|           | 30                          | 2380                  | 3.50   | 241    |
|           | 40                          | 3740                  | 5.50   | 379    |
|           | 50                          | 5440                  | 8.00   | 551    |
| DFC 46    | 60                          | 7480                  | 11.00  | 758    |
|           | 100                         | 12850                 | 18.89  | 1302   |

**TABLE 34 - ACCESSORIES AND READOUTS FOR DFC**

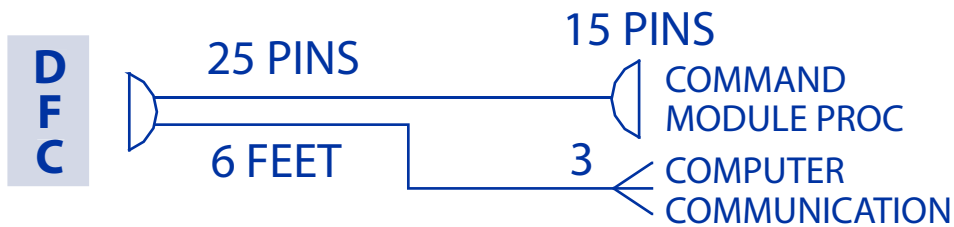
|                           |  |
|---------------------------|--|
| <b>CBL-DFC</b>            | 25 pin D-connector with 6 ft. wire to computer port stripped, Branch 6ft. wire to customers power supply.                |
| <b>CBL-DFC-DPM-AI</b>     | Cable stripped for DFC w/LCD jack and analog input for set point only.   |
| <b>CBL-DFC-DPM-AIO</b>    | Cable stripped for DFC with LCD jack and analog input/output.  |
| <b>CBLDFC-PROC</b>        | 25 pin D-connector with 6ft. wire to 15 pin DM, Branch 6ft. wire to computer port stripped.                              |
| <b>PS-DFC-110NA-5-S</b>   | Power supply with 25 pin female D-connector 110/vac (±15Vdc.) Branch 6ft wire to computer port stripped /North America.  |
| <b>PS-DFC-110NA-5-A</b>   | Power supply with 25 pin D-connector, analog interface 110/vac (+ - 15Vdc.) (North America).                             |
| <b>PS-DFC-230EU-5-S</b>   | Power supply with 25 pin female D-connector 230/vac (±15Vdc.) Branch 6ft wire to computer port stripped /Europe.         |
| <b>PS-DFC-230EU-5-A</b>   | Power supply, 25 pin D-connector, analog interface 230/vac (+ - 15Vdc.) (Europe).  |
| <b>PS-DFC-240AU-5-S</b>   | Power supply with 25 pin female D-connector 240/vac (±15Vdc.) Branch 6ft wire to computer port stripped /Australia.      |
| <b>PS-DFC-240AU-5-A</b>   | Power supply, 25 pin D-connector, analog interface 240/vac (+ - 15Vdc.) (Australia).                                     |
| <b>PS-DFC-240UK-5-S</b>   | Power supply with 25 pin female D-connector 240/vac (±15Vdc.) Branch 6ft wire to computer port stripped /United Kingdom. |
| <b>PS-DFC-240UK-5-A</b>   | Power supply, 25 pin D-connector, analog interface 240/vac (+ - 15Vdc.) (U.K).   |
| <b>BCKUPDFC</b>           | Digital panel meter / led backlight.   |
| <b>PS-DFC-110NA-5-S-D</b> | Power supply DFC 110/Vac ±15Vdc standard interface and LCD jack. (United States).  |
| <b>PS-DFC-110NA-5-A-D</b> | Power supply DFC 110/Vac ±15Vdc analog interface and LCD jack. (United States).  |
| <b>PS-DFC-230EU-5-S-D</b> | Power supply DFC 230/vac +/-15Vdc standard interface and LCD jack. (Europe).   |
| <b>PS-DFC-230EU-5-A-D</b> | Power supply DFC 230/vac +/-15Vdc analog interface and LCD jack. (Europe).   |
| <b>PS-DFC-240AU-5-S-D</b> | Power supply DFC 240/vac +/-15Vdc standard interface and LCD jack. (Australia).  |
| <b>PS-DFC-240AU-5-A-D</b> | Power supply DFC 240/vac +/-15Vdc analog interface and LCD jack. (Australia).  |
| <b>PS-DFC-240UK-5-S-D</b> | Power supply DFC 240/vac +/-15Vdc standard interface and LCD jack. (United Kingdom).                                     |
| <b>PS-DFC-240UK-5-A-D</b> | Power supply DFC 240/vac +/-15 Vdc analog interface and LCD jack. (United Kingdom).                                      |

Cable Options

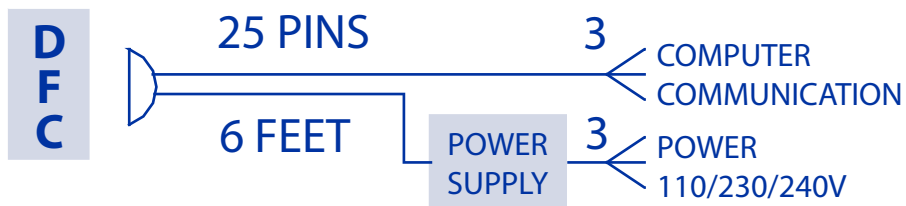
Standard Cable (supplied with Transducer) CBL-DFC



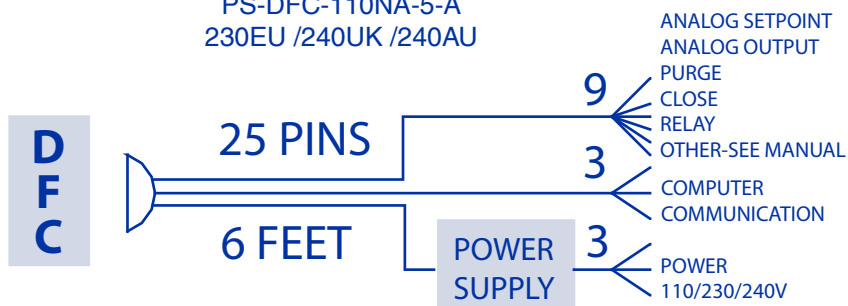
CBL-DFC-SDPROC



PS-DFC-110NA-5-S 230EU /240UK /240AU



PS-DFC-110NA-5-A  
230EU /240UK /240AU



Configure and Order Online: [DFC Mass Flow Controller](#)

|                             |  |   |   |   |   |   |   |   |   |   |
|-----------------------------|--|---|---|---|---|---|---|---|---|---|
| DFC                         | MODEL  |   |   |   |   |   |   |   |   |   |
| MAX. FLOW (N <sub>2</sub> ) |  |   |   |   |   |   |   |   |   |   |
| 26                          | 10 L/min   |   |   |   |   |   |   |   |   |   |
| 36                          | 50 L/min   |   |   |   |   |   |   |   |   |   |
| 46                          | 100 L/min  |   |   |   |   |   |   |   |   |   |
| MATERIAL                    |  |   |   |   |   |   |   |   |   |   |
| S                           | Stainless Steel                                    |   |   |   |   |   |   |   |   |   |
| SEALS                       |  |   |   |   |   |   |   |   |   |   |
| V                           | FKM  |   |   |   |   |   |   |   |   |   |
| B                           | Buna®  |   |   |   |   |   |   |   |   |   |
| E                           | EPR  |   |   |   |   |   |   |   |   |   |
| T                           | PTFE / FFKM  |   |   |   |   |   |   |   |   |   |
| FITTINGS                    |  |   |   |   |   |   |   |   |   |   |
| A                           | 1/4" Compression                                   |   |   |   |   |   |   |   |   |   |
| B                           | 1/8" Compression                                   |   |   |   |   |   |   |   |   |   |
| C                           | 1/4" VCR®  |   |   |   |   |   |   |   |   |   |
| D                           | 3/8" Compression                                   |   |   |   |   |   |   |   |   |   |
| H                           | 6mm Compression                                    |   |   |   |   |   |   |   |   |   |
| DISPLAY                     |  |   |   |   |   |   |   |   |   |   |
| N                           | No Display   |   |   |   |   |   |   |   |   |   |
| L                           | LCD Readout (Special interface cable is required). |   |   |   |   |   |   |   |   |   |
| POWER                       |  |   |   |   |   |   |   |   |   |   |
| 5                           | +15 Vdc  |   |   |   |   |   |   |   |   |   |
| INPUT / OUTPUT SIGNAL       |  |   |   |   |   |   |   |   |   |   |
| C                           | 0-5Vdc/ 0-5Vdc                                     |   |   |   |   |   |   |   |   |   |
| D                           | 0-5Vdc/ 4-20mA                                     |   |   |   |   |   |   |   |   |   |
| E                           | 4-20mA/ 4-20mA                                     |   |   |   |   |   |   |   |   |   |
| F                           | 4-20mA/ 0-5Vdc                                     |   |   |   |   |   |   |   |   |   |
| H                           | 0-5 Vdc/ 0-10Vdc                                   |   |   |   |   |   |   |   |   |   |
| I                           | 0-10Vdc/ 0-5 Vdc                                   |   |   |   |   |   |   |   |   |   |
| J                           | 0-10Vdc/ 0-10 Vdc                                  |   |   |   |   |   |   |   |   |   |
| K                           | 4-20 mA/ 0-10 Vdc                                  |   |   |   |   |   |   |   |   |   |
| L                           | 0-10 Vdc/ 4-20 mA                                  |   |   |   |   |   |   |   |   |   |
| DIGITAL INTERFACE           |  |   |   |   |   |   |   |   |   |   |
| 2                           | RS232  |   |   |   |   |   |   |   |   |   |
| 5                           | RS485  |   |   |   |   |   |   |   |   |   |
| DFC                         | 36   | S | - | V | A | N | 5 | - | C | 5 |

**EXAMPLE: DFC36S-VAN5-C5 50 L/min [N<sub>2</sub>] 20 psig**

***SPECIFY: Flow Range, Gas and Pressure***

DFC 36 stainless steel, FKM seals, 1/4" compression fittings, No display, +15 Vdc power, 0-5 Vdc/0-5 Vdc input output signal, RS485 digital interface.

Model **AF** mass flow controllers are designed to indicate flow rates and control set flow rates of gases.

**Each of these units incorporates an advanced straight tube sensor in conjunction with flow passage elements constructed of stainless steel.**

LCD readouts of command modules are supplied with 0 to 100 percent calibrations. Zero and span adjustments are conveniently accessible from outside of the transmitters.

### Design Features

- Rigid metallic construction.
- Maximum pressure of 1000 psig (70 bars).
- 0-5 Vdc or 4-20mA signals.
- Leak integrity  $1 \times 10^{-9}$  smL/sec of helium.
- Accuracy of  $\pm 1\%$  F.S.
- Totalizer option.
- Circuit protection.

### Principles of Operation

Metered gases are divided into two laminar flow paths -one through the primary flow conduit and the other through a capillary sensor tube.

Both flow conduits are designed to ensure laminar flows and therefore the ratio of their flow rates is constant.

Two precision temperature sensing windings on the sensor tube are heated, and when flow takes place, gas carries heat from the upstream to the downstream windings. The resultant temperature differential is proportional to the change in resistance of the sensor windings.

A Wheatstone bridge design is used to monitor the temperature dependent resistance gradient on the sensor windings which is linearly proportional to the instantaneous rate of flow.

Output signals of 0 to 5Vdc or 4 to 20mA are generated indicating mass molecular based flow rates of the metered gas.

## SDPROC and AFC Analog Mass Flow Controller



In AFC mass flow controllers the combined gas streams flow through a proportionating electromagnetic valve with an appropriately selected orifice. The closed loop control circuit continuously monitors the mass flow output and maintains it at the set flow rate.

Flow rates are unaffected by temperature and pressure variations within stated limitations.

**Transducer power supply ports are fuse and polarity protected.**

AFC mass flow controllers include an electromagnetic control valve that allows the flow to be set to any desired

flow rate within the range of the particular model. The valve is normally closed as a safety feature to ensure that gas flow is shut off in case of a power outage.

AFC mass flow controllers are designed to meter and control flow rates of gases.

AFC mass flow controllers are available with flow ranges from 10 mL/min to 100LPM [N<sub>2</sub>]. Gases are connected by means of 1/4", 3/8", or optional 1/8" compression fittings.

These controllers may be used as bench top units or mounted by means of screws in the base.

**TABLE 36 - SPECIFICATIONS**

|  |   |
|--|---|
| <b>ACCURACY:</b>                                   | ±1% of FS at calibration temperature and pressure.  |
| <b>CALIBRATIONS:</b>                               | Performed at standard conditions [14.7 psia (101.4 kPa) and 70 °F (21.1°C)] unless otherwise stated.  |
| <b>REPEATABILITY:</b>                              | ±0.25% of full scale.   |
| <b>TIME CONSTANT:</b>                              | <b>AFC26:</b> (Q <sub>max</sub> = 10 L/min): 300 ms.<br><b>AFC36:</b> (Q <sub>max</sub> = 50 L/min): 600 ms.<br><b>AFC46:</b> (Q <sub>max</sub> = 100 L/min): 600 ms.   |
| <b>RESPONSE TIME:</b>                              | <b>AFC26:</b> (Q <sub>max</sub> = 10 L/min): Approximately 1 second to within ±2% of set flow rate for 25% to 100% of full scale flow.<br><b>AFC36:</b> (Q <sub>max</sub> = 50 L/min) and <b>AFC46:</b> (Q <sub>max</sub> =100 L/min): Approximately 2 second to within ±2% of set flow rate or 25% to 100% of full scale flow. |
| <b>TEMPERATURE COEFFICIENT:</b>                    | 0.1% of full scale/ °C.   |
| <b>PRESSURE COEFFICIENT:</b>                       | 0.01% of full scale/psi (0.07 bar).   |
| <b>OPTIMUM GAS PRESSURE:</b>                       | 25 psig (1.73 bars).  |
| <b>MAXIMUM GAS PRESSURE:</b>                       | 1000 psig (70 bars) maximum. Standard calibration is at 20 psig (1.4 bars) inlet pressure.  |
| <b>MAX. PRESSURE DROP:</b><br>(at full scale flow) | Refer to Table 38.  |
| <b>GAS AND AMBIENT TEMPERATURE:</b>                | 32 °F to 122 °F (0 °C to 50 °C). 14 °F to 122 °F (-10 °C to 50 °C) - Dry gases only.  |
| <b>LEAK INTEGRITY:</b>                             | 1 x 10 <sup>-9</sup> sml/sec of helium maximum, to the outside environment.   |
| <b>**MATERIALS IN FLUID CONTACT:</b>               | 316 stainless steel, 416 stainless steel, FKM O-rings. Optional O-rings: Buna®, EPR and FFKM.   |
| <b>ATTITUDE SENSITIVITY:</b>                       | No greater than +15 degree rotation from horizontal to vertical; standard calibration is in horizontal position.  |
| <b>OUTPUT SIGNALS:</b>                             | Linear 0-5 Vdc (2000 W min. load impedance); 4 - 20 mA optional (0 - 500 W loop resistance); maximum noise 20 mV peak to peak.  |
| <b>CONNECTIONS:</b>                                | <b>AFC26:</b> 1/4" compression fittings. Optional: 6mm, 3/8" and 1/8" compression fittings or 1/4" VCR®.<br><b>AFC36:</b> 1/4" compression fittings. Optional: 6mm and 3/8" compression fittings or 1/4" VCR®.<br><b>AFC 46:</b> 3/8" compression fittings.   |
| <b>TRANSDUCER INPUT POWER:</b>                     | <b>AFC 26:</b> +15 ±5% Vdc, 80 mA max, 1.2W; -15 ± 5% Vdc, 200 mA max, 3W;<br><b>AFC 36 /AFC 46:</b> +15 ±5% Vdc, 220 mA max, 3.3W; -15 ±5% Vdc, 600 mA max, 9W.  |
| <b>CIRCUIT PROTECTION:</b>                         | Circuit boards have built-in polarity reversal protection. Replaceable fuses provide power input protection.  |

*\*\*The selection of materials of construction, is the responsibility of the customer. The company accepts no liability.*



**Leak Integrity**

1 x 10<sup>-9</sup> smL/sec of helium max to outside environment.

**Mass Flow Systems**

Complete Mass Flow Systems include Command Modules, transducers and cables. Command modules contain appropriate power supplies, 24x2 alpha-numeric dot matrix display readout, and four panel buttons which provide complete control over all the various functions necessary to measure and/or control flow.

Optional built in Ethernet interface allows accessing any Internet-connected SDPROC from a browser on your work station, PC, or laptop computer.

**TABLE 38 - MAXIMUM PRESSURE DROP FOR AFC**

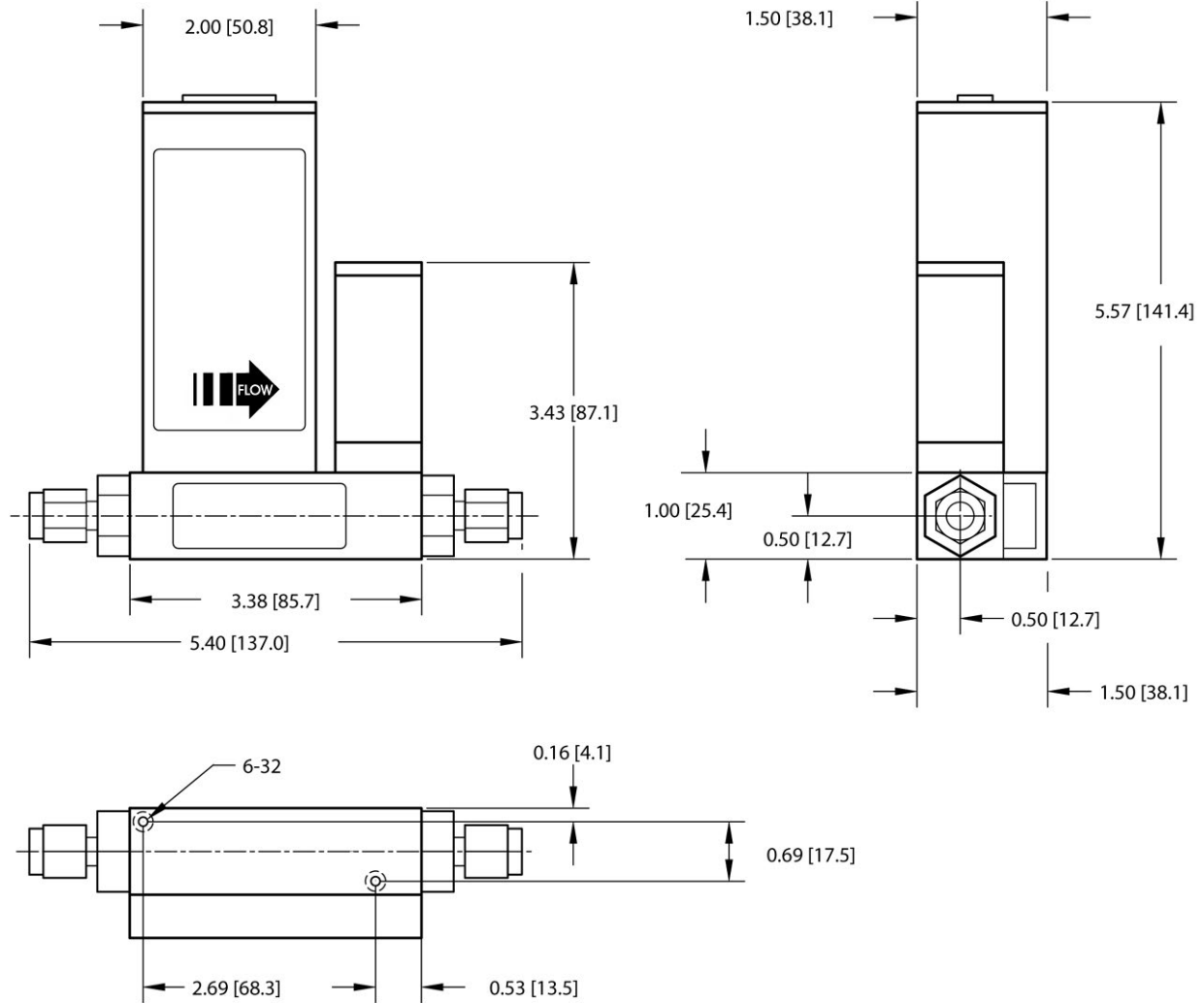
| FLOW RATE<br>[liters/min] | AFC SERIES |        |
|---------------------------|------------|--------|
|                           | [psid]     | [bars] |
| up to 10                  | 1.06       | 0.072  |
| up to 15                  | 3.87       | 0.26   |
| up to 20                  | 2.0        | 0.136  |
| up to 30                  | 3.5        | 0.238  |
| up to 40                  | 5.5        | 0.374  |
| up to 50                  | 8          | 0.544  |
| up to 100                 | 18.9       | 1.302  |

**TABLE 37 - FLOW RANGES FOR AFC**

| AFC 26 |                  |
|--------|------------------|
| CODE   | UNITS [Nitrogen] |
| 01     | 0 to 10 mL/min   |
| 02     | 0 to 20 mL/min   |
| 03     | 0 to 50 mL/min   |
| 04     | 0 to 100 mL/min  |
| 05     | 0 to 200 mL/min  |
| 06     | 0 to 500 mL/min  |
| 07     | 0 to 1 L/min     |
| 08     | 0 to 2 L/min     |
| 09     | 0 to 5 L/min     |
| 10     | 0 to 10 L/min    |
| AFC 36 |                  |
| 11     | 0 to 15 L/min    |
| 30     | 0 to 20 L/min    |
| 31     | 0 to 30 L/min    |
| 32     | 0 to 40 L/min    |
| 33     | 0 to 50 L/min    |
| AFC 46 |                  |
| 40     | 0 to 60 L/min    |
| 41     | 0 to 80 L/min    |
| 42     | 0 to 100 L/min   |

**SDPROC and AFC Analog Mass Flow Controller**

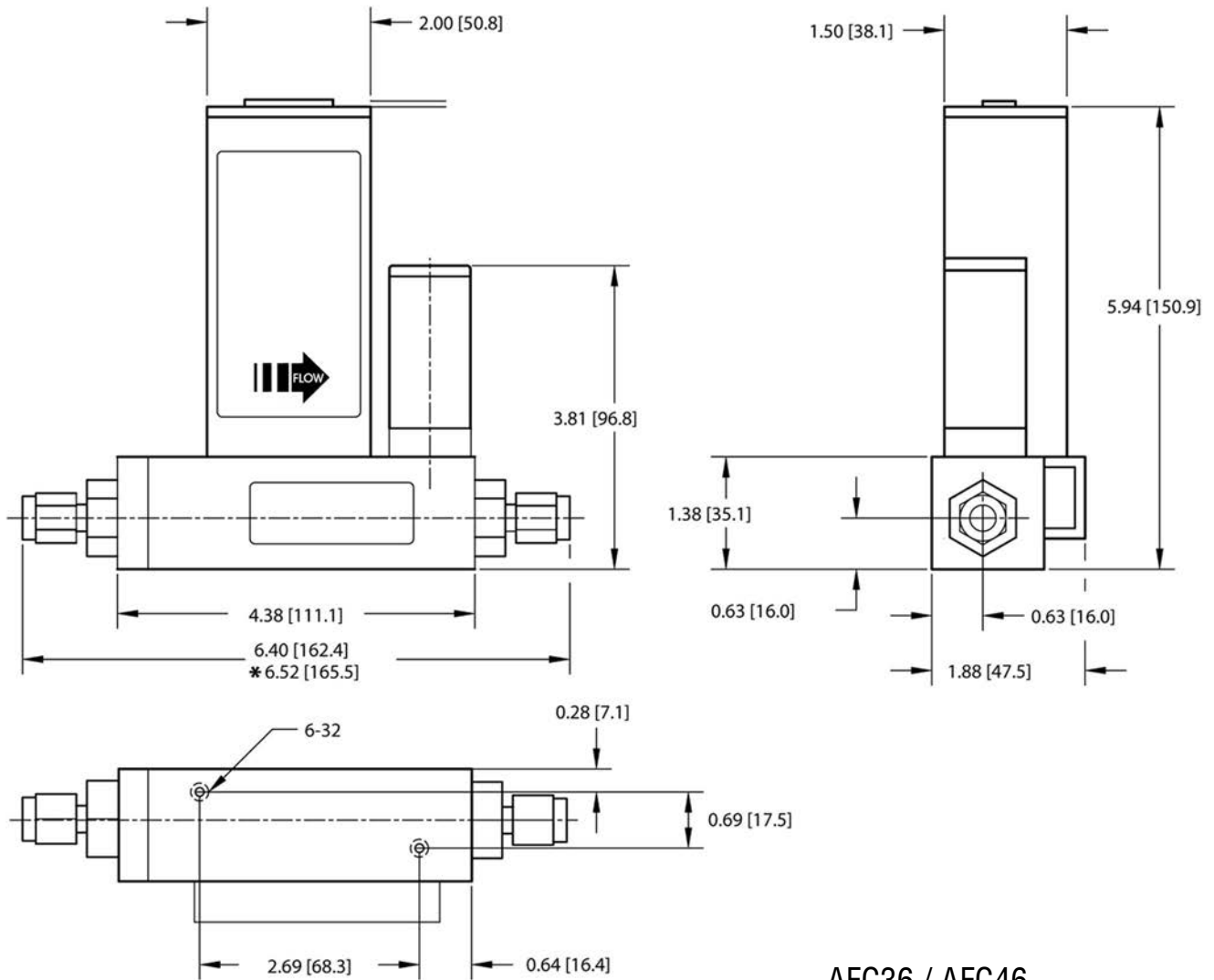




DIMENSIONS: INCH [mm]

**AFC26**  
Analog Mass Flow Controller

NOTE: Aalborg® reserves the right to change designs and dimensions at its sole discretion at any time without notice. For certified dimensions please contact Aalborg®.



DIMENSIONS: INCH [mm] \* FOR HIGH FLOW MASS FLOW CONTROLLER ONLY

AFC36 / AFC46  
Mass Flow Controller

NOTE: Aalborg® reserves the right to change designs and dimensions at its sole discretion at any time without notice. For certified dimensions please contact Aalborg®.

Configure and Order Online: [AFC Mass Flow Controller](#)

|                            |                  |
|----------------------------|------------------|
| AFC                        | MODEL            |
| MAX FLOW (N <sub>2</sub> ) |                  |
| 26                         | 10 L/min         |
| 36                         | 50 L/min         |
| 46                         | 100 L/min        |
| MATERIAL                   |                  |
| S                          | Stainless Steel  |
| SEALS                      |                  |
| V                          | FKM              |
| B                          | Buna®            |
| E                          | EPR              |
| T                          | PTFE / FFKM      |
| FITTINGS                   |                  |
| A                          | 1/4" Compression |
| B                          | 1/8" Compression |
| C                          | 1/4" VCR®        |
| D                          | 3/8" Compression |
| H                          | 6mm Compression  |
| MODEL                      |                  |
| AFC 26, 36                 |                  |
| AFC 26, 36                 |                  |
| AFC 26, 36                 |                  |
| AFC 26, 36, 46             |                  |
| AFC 26, 36                 |                  |
| DISPLAY                    |                  |
| N                          | NO Display       |
| POWER                      |                  |
| 5                          | +15 Vdc          |
| INPUT / OUTPUT SIGNAL      |                  |
| C                          | 0-5Vdc / 0-5Vdc  |
| D                          | 0-5Vdc / 4-20mA  |
| DIGITAL INTERFACE          |                  |
| 0                          | NONE             |

|     |    |   |   |   |   |   |   |   |   |   |
|-----|----|---|---|---|---|---|---|---|---|---|
| AFC | 36 | S | - | V | A | N | 5 | - | C | 0 |
|-----|----|---|---|---|---|---|---|---|---|---|

**EXAMPLE: AFC36S-VAN5-A0 50 L/min [N<sub>2</sub>] 20 psig**

***SPECIFY: Flow Range, Gas and Pressure*** \*n.a. = not applicable

AFC36 stainless steel, FKM seals with 1/4" compression fittings, without a display, ±15 Vdc, 0-5Vdc input/output signal, and no digital interface.

## Smart Digital Command Module

**SDPROC**

Microprocessor driven digital Command Modules are used in conjunction with any analog or digital mass flow controllers with 0-5 Vdc input /output signals. One, two, three and four channel Command Module configurations are available. Command Modules contain appropriate power supplies, 24x2 alpha-numeric dot matrix display readout, and four panel buttons which provide complete control over all the various functions necessary to measure and/or control flow.

**Programming**

It is easy to program the SMART DPROC using a logically organized, modular menu. The operator quickly accesses a desired function by branching through the multi-level tree structure, rather than scrolling through the entire menu. RS-232 serial communication interface is standard for all models and supported via a 9 pin "D"-connector on the back panel of the Command Module. RS-232 Software interface commands set allows communications with the unit using either a custom software program or a "dumb terminal" and provide complete control over all modes and functions.

**PROGRAMMABLE BATCH FLOW CONTROL**

The Batch Flow Control allows execution of custom, user preset program of up to sixteen steps. During execution of the program the user can activate or deactivate the LOOP mode. Various flow configurations may be preprogrammed: ramping, pulsing, linearized increasing and/or decreasing of the flow.

## Design Features

### ENGINEERING UNITS

The flow set points, measured gas flow and associated totalizer data are scaled directly in engineering units via front panel keypad or RS-232.

The following units of measure are supported:

%F.S., SLPM, L/s, mL/min, mL/h, SCFM, SCFH, SCMM, SCMh, LBPM, LBPH, GRPM, GRPH.

### USER SELECTABLE REFERENCE FOR SET POINT

The INTERNAL, EXTERNAL, PROGRAM refers to the point of origin for the Set Point signal.

In Internal reference mode, the user sets the control signal with SDPROC controls (via front panel keypad or RS-232).

In External reference mode, the user sets the control signal from a remote location (via the DATA IN/OUT 25-pin "D"-connector on the rear panel).

In Program mode the set point signal will be driven by user's custom program stored in the EEPROM. There are three Program modes: BATCH, TIMER and RATIO\*.

\*RATIO mode not available for one channel module.

### PROGRAMMABLE TIMER FLOW CONTROL

The Timer Flow Control allows execution of custom, user preset program of up to 96 steps.

Each step can be preprogrammed for a particular date, time, and set point value. Every step has two fields: starting date, time and set point in % F.S.

### RATIO FLOW CONTROL

The Ratio Flow allows controlling flow of the mixture of up to four different gases (for 4 channel Command Module) with preset values of the ratio in % for each channel. The flow rate of the mixture can be incremented or decremented by changing the set point of the master channel #1.

### FLOW ALARMS

High and Low gas flow ALARM limits can be preprogrammed for each channel. ALARM conditions become true when the difference between current readings and installed set points are equal or more than corresponding values of high and low alarm levels.

Alarm action can be assigned with preset delay interval (0-3600 seconds) to one of the following:

- Contact closer (separate for High and Low alarm).
- Buzzer audible signal.
- Valve shut down (Close).

### CONTACT CLOSURES

Two sets of dry contact relay outputs for each channel are provided to actuate user supplied equipment. The relays can be assigned to switch when a specified event occurs (e.g. when a low or high flow alarm limit is exceeded or when the totalizer reaches a specified value).

### TOTALIZER

The total volume of the gas is calculated by integrating the actual gas flow rate with respect to time.

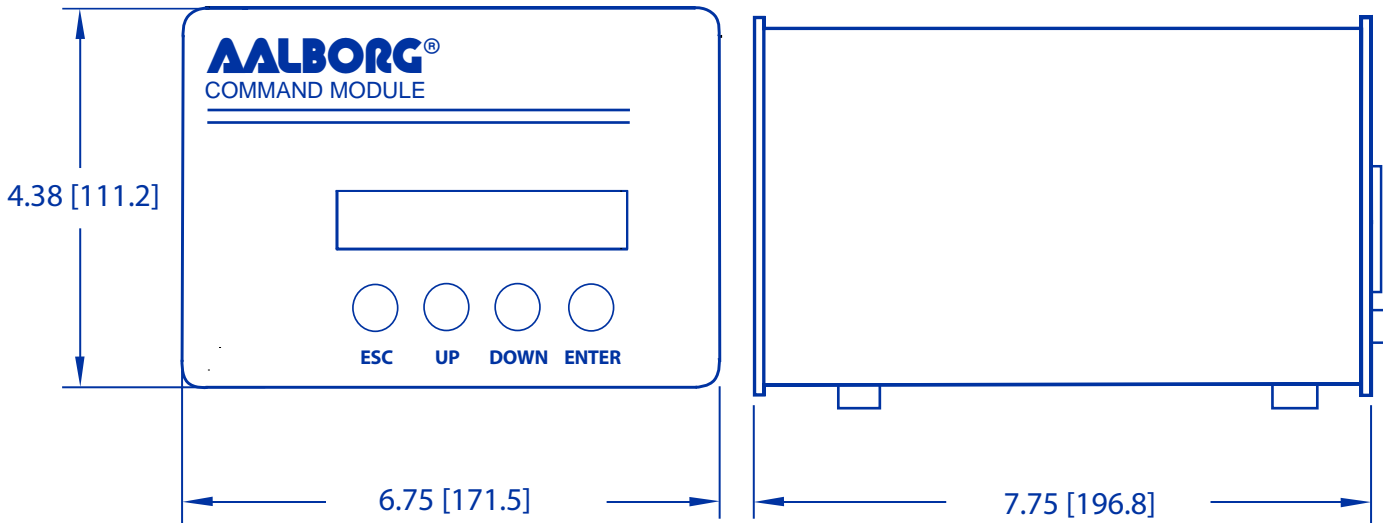
Both keypad menu and digital interface commands are provided to:

- Set the totalizer to ZERO.
- Start the totalizer at a preset flow.
- Assign action at a preset total volume.
- Start/Stop totalizing the flow.
- Read totalizer.

Totalizer conditions become true, when the totalizer, and the "Stop at Total" volumes are equal.

Totalizer action can be assigned to one of the following:

- Contact closer.
- Audible Buzzer.
- Valve shut down (Close).



DIMENSIONS SHOWN IN BRACKETS ARE IN MILLIMETERS

NOTE: Aalborg® reserves the right to change designs and dimensions at its sole discretion at any time without notice. For certified dimensions please contact Aalborg®.

TABLE 39 - SPECIFICATIONS

|                                    |  |
|------------------------------------|--|
| <b>ENVIRONMENTAL</b> (per IEC 664) | Installation Level II; Pollution degree II.  |
| <b>POWER SUPPLY:</b>               | 85 to 240 VAC (47 to 440 Hz); 120 to 370 Vdc 2A max.   |
| <b>FUSE:</b>                       | 2A on input power line. When changing, unplug the device from power source. Replace only with fuse 5mm 2A/250V °F.   |
| <b>DISPLAY:</b>                    | 24 x 2 LCD dot matrix with backlight; 24x2 Vacuum Fluorescent display optional.  |
| <b>ADC/DAC RESOLUTION:</b>         | 12 bits (0.025%).  |
| <b>COMMUNICATION STANDARD:</b>     | RS-232 9600 baud rate, 8 bits, two stop bits, no parity (8,2.N).   |
| <b>DIMENSIONS:</b>                 | Length: 7.75" (19.5 cm), width: 6.75" (17 cm), height: 4.5" (11cm).  |
| <b>WEIGHT:</b>                     | 4.5 lbs (2 kg).  |
| <b>INTERFACE CABLE:</b>            | Flat cable with male 15-pin "D" connector and female 15-pin "D" connector on the ends is standard. Optional round shielded cable is available with male/female 15-pin "D" connector ends. [Cable length may not exceed 9.5 feet (3 meters)]. |
| <b>DATA PORT AND RELAY CABLE:</b>  | Optional shielded cable with male 25-pin "D" connector to connect to command module data and relay ports. [Cable length may not exceed 9.5 feet (3 meters)].   |

Configure and Order Online: [SDPROC Microprocessor Driven Command Module](#)

|        |       |
|--------|-------|
| SDPROC | MODEL |
|--------|-------|

| CHANNELS |  |
|----------|--|
| 1        |  |
| 2        |  |
| 3        |  |
| 4        |  |

| CONFIGURATION |          |
|---------------|----------|
| A             | AFC      |
| D             | DFC      |
| G             | GFM /GFC |
| C             | CUSTOM   |

| DIGITAL INTERFACE |       |
|-------------------|-------|
| 1                 | RS232 |

| AC INPUT VOLTAGE |                           |
|------------------|---------------------------|
| NA               | 100-240VAC North America  |
| EU               | 100-240VAC Europe         |
| AU               | 100-240VAC Australia      |
| UK               | 100-240VAC United Kingdom |

| DISPLAY |     |
|---------|-----|
| L       | LCD |
| V       | VFD |

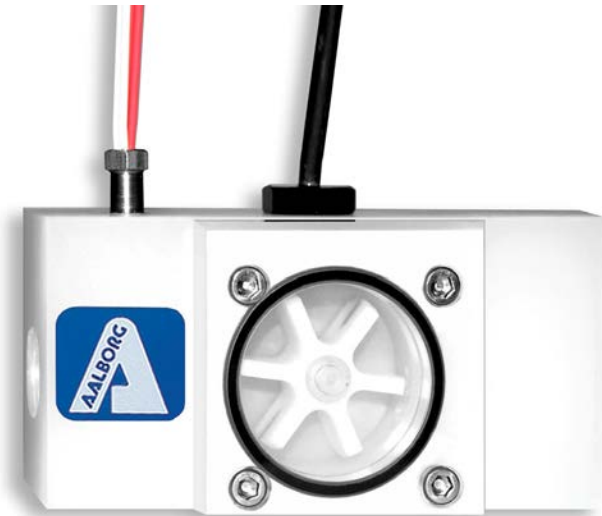
  

|        |   |   |   |   |   |   |   |    |   |   |
|--------|---|---|---|---|---|---|---|----|---|---|
| SDPROC | — | 4 | — | A | — | 1 | — | NA | — | L |
|--------|---|---|---|---|---|---|---|----|---|---|

**EXAMPLE: SDPROC-4A2-NAL**

Smart Digital Command Module, 4-Channel, AFC configuration, RS232, 100-240 VAC North America plug, LCD display.





**Design Features**

- Flow meters for liquid flow applications.
- Jewel bearings allow for very low minimum flow rates.
- Easy to install and operate.
- Mounted horizontally or vertically.
- Only one moving part.
- Flow indication via transparent acrylic cover.
- Versatile square wave flow output signal.
- Female NPT ports.
- Multi-Parameter: Flow and temperature \*outputs.
- Four wires platinum RTD option.
- Polypropylene and chemically resistant.
- PVDF models.

**FOR LIQUIDS ONLY**

\* PWM provides only raw pulse output signals. In order to get actual flow and temperature readings, user has to implement additional signal processing.

**Principles of Operation**

Fluid flowing through the unit causes the paddle wheel to spin. As the magnets embedded in the paddle spin past the sensor, electrical pulses are produced in which frequency is proportional to the flow rate. The number of pulses per desired time interval and the K-factor (number of pulses/gallon) make it possible to calculate the flow rate and volume passing through the unit.

Configure and Order Online: [PWM Paddle-Wheel Flow Meter](#)

**TABLE 40 - FLOW RATE FOR PWM**

| Meter Sizes | Flow Rate H <sub>2</sub> O |           | Inlet/Outlet Ports<br>Female NPT | Max Pressure Drop |     |
|-------------|----------------------------|-----------|----------------------------------|-------------------|-----|
|             | [L/min]                    | [gal/min] |                                  | Bar               | PSI |
| PWM04       | 0.15-18.9                  | 0.04-5    | 3/8"                             | 1                 | 15  |
| PWM06       | 0.3-37.6                   | 0.08-10   | 1/2"                             | 1.4               | 20  |
| PWM08       | 0.6-64.4                   | 0.15-17   | 3/4"                             | 1.4               | 20  |
| PWM10       | 1.3-132.5                  | 0.35-35   | 1"                               | 1.4               | 20  |

**TABLE 42 - PADDLE WHEEL MODEL NUMBERS**

| Polypropylene | Polypropylene with RTD | PVDF   | PVDF with RTD |
|---------------|------------------------|--------|---------------|
| PWM04P        | PWM04PR                | PWM04T | PWM04TR       |
| PWM06P        | PWM06PR                | PWM06T | PWM06TR       |
| PWM08P        | PWM08PR                | PWM08T | PWM08TR       |
| PWM10P        | PWM10PR                | PWM10T | PWM10TR       |

**TABLE 41 - SPECIFICATIONS**

|                        |   |
|------------------------|---|
| <b>ACCURACY</b>        | ±1% FS.   |
| <b>MAX TEMPERATURE</b> | 60 °C (140 °F).   |
| <b>MAX PRESSURE</b>    | 10 barg (150 psig).   |
| <b>POWER</b>           | 5 to 24 Vdc @ 2 mA.   |
| <b>OUTPUT SIGNAL</b>   | NPN open collector (load 30 mA max).  |
| <b>DIMENSIONS</b>      | 56H x 108L x 53D [mm] (2.2 x 4.25 x 2.2")<br>Without RTD and flow sensors.      |
| <b>CABLE</b>           | Flow signal 1.8 m (6') or optional 3.7m (12')<br>[ft.] RTD 12 [in.] long cable. |
| <b>RTD</b>             | Platinum 0.00385 TCR, meets EN 60751,<br>Class B.                               |

**TABLE 43 - MATERIALS FLUID CONTACT:**

|                     | POLYPROPYLENE MODELS    | PVDF UNITS MODELS |
|---------------------|-------------------------|-------------------|
| <b>BODY</b>         | Polypropylene           | PVDF              |
| <b>LID</b>          | Acrylic                 | PVDF              |
| <b>PADDLE WHEEL</b> | PVDF                    | PVDF              |
| <b>SHAFT</b>        | Nickel Tungsten Carbide | Zirconia Ceramic  |
| <b>BEARINGS</b>     | Sapphire Jewels         | Sapphire Jewels   |
| <b>O-RINGS</b>      | EPDM                    | PTFE              |
| <b>PLATINUM RTD</b> | 316 ss casing           | 316 ss casing     |

## FOR LIQUIDS ONLY



**PLEASE NOTE:  
POWER CORD WITH MALE PLUG IS NOT INCLUDED.  
ORDER SEPARATELY: CAT NO. CBL-PWE**

### Design Features

- Jewel bearings allow for very low minimum flow rates.
- Multi-Parameter: Flow and optional temperature measurements.
- Polypropylene and chemically resistant PVDF models.
- Supports up to 29 Engineering Units (including User Defined).
- Two programmable Totalizers and Flow Pulse output (3.3Vdc CMOS).
- Programmable High/Low Flow and optional Temperature Alarms with preset action delay interval.
- Two sets of user-programmable optically isolated outputs.
- User-selectable (via jumpers) analog 0-5 Vdc or 4-20mA flow and optional temperature outputs.
- RS-232 or RS-485 Digital Interface with Multi-Drop Capability of up to 256 units (RS-485 option).
- Local keypad and 2x16 characters LCD display with adjustable back light (optional).
- Enclosure weather tight to IP65 standards.
- Free communication software with temperature and flow data log-in capability.

## General Description

PWE flow meters support various functions including: two independently programmable flow totalizers, user programmable low, high or range flow and temperature alarm, two sets of user programmable optically isolated outputs, self diagnostic alarm, flow pulse output.

The flow rate can be displayed in 29 different volumetric or mass flow engineering units. Flow meter parameters and functions can be programmed locally via optional keypad and LCD † or remotely via the RS-232/RS-485 interface.

Optional local 2x16 LCD† readout with adjustable back light provides flow rate, temperature†, total volume reading in currently selected engineering units, diagnostic events indication and feature a password protected access to the process parameters to ensure against tampering or resetting.

( † - optional feature)

## Principles of Operation

Liquid flowing through the unit causes the paddle wheel to spin. As the magnets embedded in the paddle spin past the sensor, electrical pulses are produced in which frequency is proportional to the flow rate. The number of pulses per desired time interval and the K-factor (number of pulses/gallon) make it possible to calculate the flow rate and volume passing through the unit.

On board CPU and signal conditioner circuitry perform accurate flow and total computation, digital communication and analog 0-5 Vdc or 4-20 mA output signals. Non-volatile memory stores all hardware specific and user programmable variables, including flow linearization table.

## Totalizer

The total volume of the liquid is calculated by integrating the actual liquid flow rate with respect to time. The optional LCD/keypad and digital interface commands are provided to:

- set the totalizer to ZERO
- start the totalizer at a preset flow
- assign action at a preset total volume
- start/stop totalizing the flow
- read totalizer

Totalizer conditions become true, when the totalizer reading and the “Stop at Total” volumes are equal. Main Totalizer reading is stored in the non volatile memory (EEPROM). The pilot Totalizer reading is stored in volatile memory (SRAM) and will be lost if flow meter is powered down.

## Engineering Units

The measured flow and associated totalizer data are scaled directly in engineering units via the digital interface.

### THE FOLLOWING 29 UNITS OF MEASURE ARE SUPPORTED:

TABLE 44 - UNITS OF MEASURE

| NUMBER | INDEX | FLOW RATE ENGINEERING UNITS | TOTALIZER ENGINEERING UNITS | DESCRIPTION             |
|--------|-------|-----------------------------|-----------------------------|-------------------------|
| 1      | 0     | %                           | %s                          | percent of full scale   |
| 2      | 1     | mL/s                        | mL                          | milliliter per second   |
| 3      | 2     | mL/min                      | mL                          | milliliter per minute   |
| 4      | 3     | mL/h                        | mL                          | milliliter per hour     |
| 5      | 4     | l/s                         | ltr                         | liter per second        |
| 6      | 5     | l/min                       | ltr                         | liter per minute        |
| 7      | 6     | l/h                         | ltr                         | liter per hour          |
| 8      | 7     | m3/s                        | m3                          | cubic meter per second  |
| 9      | 8     | m3/min                      | m3                          | cubic meter per minute  |
| 10     | 9     | m3/h                        | m3                          | cubic meter per hour    |
| 11     | 10    | ft3/s                       | ft3                         | cubic feet per second   |
| 12     | 11    | ft3/min                     | ft3                         | cubic feet per minute   |
| 13     | 12    | ft3/h                       | ft3                         | cubic feet per hour     |
| 14     | 13    | gal/s                       | gal                         | gal per second          |
| 15     | 14    | gal/min                     | gal                         | gal per minute          |
| 16     | 15    | gal/h                       | gal                         | gal per hour            |
| 17     | 16    | g/s                         | g                           | grams per second        |
| 18     | 17    | g/min                       | g                           | grams per minute        |
| 19     | 18    | g/h                         | g                           | grams per hour          |
| 20     | 19    | kg/s                        | kg                          | kilograms per second    |
| 21     | 20    | kg/min                      | kg                          | kilograms per minute    |
| 22     | 21    | kg/h                        | kg                          | kilograms per hour      |
| 23     | 22    | lb/s                        | lb                          | pounds per second       |
| 24     | 23    | lb/min                      | lb                          | pounds per minute       |
| 25     | 24    | lb/h                        | lb                          | pounds per hour         |
| 26     | 25    | t/s                         | ton                         | ton (metric) per sec    |
| 27     | 26    | t/min                       | ton                         | ton (metric) per minute |
| 28     | 27    | t/h                         | ton                         | ton (metric) per hour   |
| 29     | 28    | User                        | UD                          | user defined            |

## Flow and Temperature<sup>†</sup> Alarms

High and Low flow ALARM limits can be preprogrammed via digital interface or optional LCD/Keypad. ALARM conditions become true when the current reading is equal or higher/lower than corresponding values of high and low alarm levels. Alarm action can be assigned with preset delay interval (0-3600seconds) to activate the optically isolated output (separate for High and Low alarm). Latch Mode control feature allows each optical output to be latched on or follow the corresponding alarm status.

( †- optional feature)

## Optically Isolated Outputs

Two sets of optically isolated outputs are provided to actuate user supplied equipment. These are programmable via digital interface or optional LCD/Keypad such that the outputs can be made to switch when a specified event occurs (e.g. when a low or high flow alarm limit is exceeded or when the totalizer reaches a specified value) or may be directly controlled by user.

**TABLE 45 - FLOW RATE FOR PWE**

| Meter Sizes | Flow Rate H <sub>2</sub> O |           | Inlet/Outlet Ports Female NPT | Max Pressure Drop |     |
|-------------|----------------------------|-----------|-------------------------------|-------------------|-----|
|             | [L/min]                    | [gal/min] |                               | Bar               | PSI |
| PWE4        | 0.15-18.9                  | 0.04-5    | 3/8"                          | 1                 | 15  |
| PWE6        | 0.3-37.6                   | 0.08-10   | 1/2"                          | 1.4               | 20  |
| PWE8        | 0.6-64.4                   | 0.15-17   | 3/4"                          | 1.4               | 20  |
| PWE10       | 1.3-132.5                  | 0.35-35   | 1"                            | 1.4               | 20  |

**TABLE 46 - \*\*MATERIALS IN FLUID CONTACT**

|                     | POLYPROPYLENE MODELS       | PVDF MODELS                |
|---------------------|----------------------------|----------------------------|
| <b>BODY</b>         | Polypropylene              | PVDF                       |
| <b>LID</b>          | Acrylic                    | PVDF                       |
| <b>PADDLE WHEEL</b> | PVDF                       | PVDF                       |
| <b>SHAFT</b>        | Nickel Tungsten Carbide    | Zirconia Ceramic           |
| <b>BEARINGS</b>     | Sapphire Jewels            | Sapphire Jewels            |
| <b>O-RINGS</b>      | EPDM                       | PTFE                       |
| <b>PLATINUM RTD</b> | 316 stainless steel casing | 316 stainless steel casing |

*\*\*The selection of materials of construction, is the responsibility of the customer. The company accepts no liability.*

**TABLE 47 - DIGITAL PADDLE WHEEL FLOW METER ACCESSORIES**

| MODEL NO.             | DESCRIPTION                                  |
|-----------------------|--|
| <b>CBL-PWE</b>        | Cable 12 Pins stripped end 6 foot shielded   |
| <b>PS-PWE-110NA-2</b> | Power Supply PWE 110 Vac North American Plug |
| <b>PS-PWE-230EU-2</b> | Power Supply PWE 230 Vac Continental Plug    |
| <b>PS-PWE-240AU-2</b> | Power Supply PWE 240 Vac Australian Plug     |
| <b>PS-PWE-240UK-2</b> | Power Supply PWE 240 Vac UK Plug             |

**TABLE 48 - DIGITAL PADDLE WHEEL METER FEATURES FOR POLYPROPYLENE MODELS**

| NO KEYPAD & LCD - NO RTD | WITH RTD - NO KEYPAD & LCD | KEYPAD & LCD - NO RTD | KEYPAD & LCD - RTD |
|--------------------------|----------------------------|-----------------------|--------------------|
| PWE04P(*)NN              | PWE04P(*)NR                | PWE04P(*)LN           | PWE04P(*)LR        |
| PWE06P(*)NN              | PWE06P(*)NR                | PWE06P(*)LN           | PWE06P(*)LR        |
| PWE08P(*)NN              | PWE08P(*)NR                | PWE08P(*)LN           | PWE08P(*)LR        |
| PWE10P(*)NN              | PWE10P(*)NR                | PWE10P(*)LN           | PWE10P(*)LR        |

**TABLE 49 - DIGITAL PADDLE WHEEL METER FEATURES FOR PVDF MODELS**

| NO KEYPAD & LCD - NO RTD | WITH RTD - NO KEYPAD & LCD | KEYPAD & LCD - NO RTD | KEYPAD & LCD - RTD |
|--------------------------|----------------------------|-----------------------|--------------------|
| PWE04T(*)NN              | PWE04T(*)NR                | PWE04T(*)LN           | PWE04T(*)LR        |
| PWE06T(*)NN              | PWE06T(*)NR                | PWE06T(*)LN           | PWE06T(*)LR        |
| PWE08T(*)NN              | PWE08T(*)NR                | PWE08T(*)LN           | PWE08T(*)LR        |
| PWE10T(*)NN              | PWE10T(*)NR                | PWE10T(*)LN           | PWE10T(*)LR        |

(\*) FOR COMPLETE MODEL NUMBERS SEE PAGE 81.

TABLE 50 - SPECIFICATIONS FOR PWE

|   |   |
|---|---|
| <b>FLOW MEDIUM:</b>                                   | Please note that PWE Flow Meters are designed to work only with liquids. Never try to measure flow rates of dry gas.  |
| <b>CALIBRATIONS:</b>                                  | Performed at standard conditions [14.7 psia (101.4 kPa) and 70 °F (21.1 °C)] unless otherwise requested or stated.  |
| <b>VISCOSITY:</b>                                     | Calibrated to 1 cSt (water) meters with display can be used for liquids up to 50 cSt with field calibration (maximum flow range may be affected).   |
| <b>ENVIRONMENTAL (PER IEC 664):</b>                   | Installation Level II; Pollution Degree II.   |
| <b>FLOW ACCURACY (INCLUDING LINEARITY):</b>           | ±1% of FS.  |
| <b>REPEATABILITY:</b>                                 | ±0.25% of full scale.   |
| <b>LIQUID TEMPERATURE MEASUREMENT RANGE† :</b>        | 34 °F to 140 °F (1 °C to 60 °C).  |
| <b>TEMPERATURE ACCURACY (INCLUDING LINEARITY) † :</b> | ±0.5 °C.  |
| <b>FLOW RESPONSE TIME:</b>                            | Approximately 1 seconds (above 10% of full scale flow), approximately 2 seconds (below 10% of full scale flow).   |
| <b>MAXIMUM PRESSURE:</b>                              | 10 barg (150 psig).   |
| <b>MAXIMUM PRESSURE DROP:</b>                         | 1.4 bar (20 psi) at 132.5 L/min flow. See table for pressure drops associated with various models and flow rates.   |
| <b>AMBIENT TEMPERATURE RANGE:</b>                     | 14 °F to 140 °F (-10 °C to 60 °C).  |
| <b>OUTPUT SIGNALS:</b>                                | Linear 0-5 Vdc (3000 ohms min load impedance);<br>Linear 4-20 mA (500 ohms maximum loop resistance).<br>Maximum noise 20mV peak to peak (for 0-5 Vdc output).   |
| <b>FLOW PULSE OUTPUT:</b>                             | 3.3 Vdc amplitude (3000 ohms min load impedance).   |
| <b>OPTICALLY ISOLATED OUTPUTS:</b>                    | UCE ≤ 40Vdc, ICE ≤ 150 mA.  |
| <b>FLOW METER INPUT POWER:</b>                        | 11 to 26 Vdc, 100 mV maximum peak to peak output noise.<br>Power consumption: +12Vdc (150 mA maximum);<br>+24Vdc (100 mA maximum);<br>Circuit board have built-in polarity reversal protection, 300mA resettable fuse provide power input protection. |
| <b>COMMUNICATIONS PARAMETERS (RS-232/RS-485):</b>     | Baud rate: ..... 9600 baud.<br>Stop bit: ..... 1.<br>Data bits: ..... 8.<br>Parity: ..... None.<br>Flow Control: ..... None.  |
| <b>ELECTRICAL CONNECTIONS:</b>                        | Built-in female 12 pin M16, IP67 connector.<br>To be mated with 12 pin M16 male EMI shielded IP67 connector.<br>(Binder-USA P/N: 99-5629-15-12) not included.<br>Optional cable available. Cable including male connector available.                  |
| <b>DISPLAY:</b>                                       | Optional local 2x16 characters LCD with adjustable backlight (2 lines of text).   |
| <b>KEYPAD:</b>  | Optional 4 push button keypad.  |
| <b>CE COMPLIANT:</b>                                  | EMC Compliance with 89/336/EEC as amended. Emission Standard: EN 55011:1991, Group 1, Class A Immunity Standard: EN 55082-1:1992.   |

(† - optional feature)

**Configure and Order Online: [PWE Paddle-Wheel Flow Meter](#)**

|                                   |                                  |   |   |   |   |   |   |   |   |
|-----------------------------------|----------------------------------|---|---|---|---|---|---|---|---|
| PWE                               | MODEL                            |   |   |   |   |   |   |   |   |
| ORIFICE SIZE (Maximum Flow Range) |                                  |   |   |   |   |   |   |   |   |
| 04                                | 5 gal / min (0.15 - 18.9 L/min)  |   |   |   |   |   |   |   |   |
| 06                                | 10 gal / min (0.3 - 37.6 L/min)  |   |   |   |   |   |   |   |   |
| 08                                | 17 gal / min (0.6 - 64.4 L/min)  |   |   |   |   |   |   |   |   |
| 10                                | 35 gal / min (1.3 - 132.5 L/min) |   |   |   |   |   |   |   |   |
| MATERIAL LOWER BLOCK              |                                  |   |   |   |   |   |   |   |   |
| P                                 | Polypropylene                    |   |   |   |   |   |   |   |   |
| T                                 | PVDF                             |   |   |   |   |   |   |   |   |
| SEALS                             |                                  |   |   |   |   |   |   |   |   |
| E                                 | EPDM                             |   |   |   |   |   |   |   |   |
| T                                 | PTFE                             |   |   |   |   |   |   |   |   |
| B                                 | Buna®                            |   |   |   |   |   |   |   |   |
| V                                 | FKM                              |   |   |   |   |   |   |   |   |
| DISPLAY / KEYPAD                  |                                  |   |   |   |   |   |   |   |   |
| N                                 | No Display / No Keypad           |   |   |   |   |   |   |   |   |
| L                                 | LCD / Keypad                     |   |   |   |   |   |   |   |   |
| RTD OPTION                        |                                  |   |   |   |   |   |   |   |   |
| N                                 | No RTD                           |   |   |   |   |   |   |   |   |
| R                                 | RTD                              |   |   |   |   |   |   |   |   |
| OUTPUT SIGNAL                     |                                  |   |   |   |   |   |   |   |   |
| A                                 | 0-5 Vdc                          |   |   |   |   |   |   |   |   |
| B                                 | 4-20 mA                          |   |   |   |   |   |   |   |   |
| DIGITAL INTERFACE                 |                                  |   |   |   |   |   |   |   |   |
| 2                                 | RS-232                           |   |   |   |   |   |   |   |   |
| 5                                 | RS-485                           |   |   |   |   |   |   |   |   |
| PWE                               | 04                               | P | — | E | L | N | — | A | 2 |

**EXAMPLE: PWE04P-ELN-A2**

Digital Paddle Wheel Meter, Maximum Flow 5 Gal. per minute, Polypropylene Lower Block, EPDM Seals, LCD Keypad, No RTD, 0-5 Output Signal with RS-232 Digital Interface.



PSV Proportionating Electromagnetic Valve

PSV Proportionating Electromagnetic Valves are designed to respond to variable power inputs to proportionately regulate the flow of liquids and gases.

For added safety PSV valves are normally closed (NC) when de-energized. They can also serve as “ON-OFF” valves. For control functions see the PSV-D Driver Module.

Flow is controlled by increasing or decreasing the voltage applied to the coil. This causes a magnetic force which raises the core and allows gas to flow.

PSV valves, constructed of stainless steel are available in five different sizes covering flow ranges from 3.5 L/min - 100 L/min air and 125 mL/min - 2.85 L/min H<sub>2</sub>O.

**Design Features**

- Leak Integrity 1 x 10<sup>-9</sup> mL/sec.
- Rigid metallic construction.
- Gas and liquids.
- Max pressure of 1000 psig (68.9 bars).

**Principle of Operation**

A variable stroke electromagnetic valve featuring a valve seat design which permits increasing or decreasing flow rates of liquids or gases through it in proportion to variable input power.

**Regulator Systems**

Complete flow regulating systems include a PSV electromagnetic valve connected to a pulse width modulated PSV-D Driver Module. For details see Driver Module description.

**TABLE 51 - MAX FLOW RATES AND CV VALUES FOR PSV**

| MODEL NUMBER | ORIFICE SIZE |      | Cv    | *MAXIMUM FLOW [mL/min] |       |
|--------------|--------------|------|-------|------------------------|-------|
|              | [in]         | [mm] |       | AIR                    | WATER |
| PSV1S-VA     | 0.02         | 0.51 | 0.009 | 3500                   | 125   |
| PSV2S-VA     | 0.04         | 1.02 | 0.033 | 13000                  | 400   |
| PSV3S-VA     | 0.055        | 1.4  | 0.055 | 21500                  | 700   |
| PSV4S-VA     | 0.063        | 1.6  | 0.068 | 25000                  | 850   |
| PSV5S-VA     | 0.125        | 3.18 | 0.24  | 100000                 | 2850  |

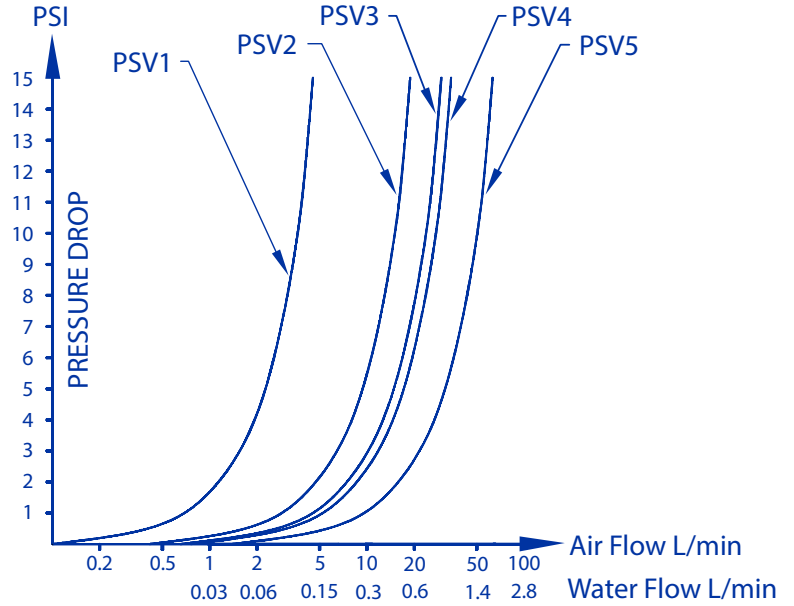
\* Based on 10 psig (690 mbar) differential pressure for sizes 1-4 20 PSIG 1380 mBar for size 5.

**TABLE 52 - SPECIFICATIONS**

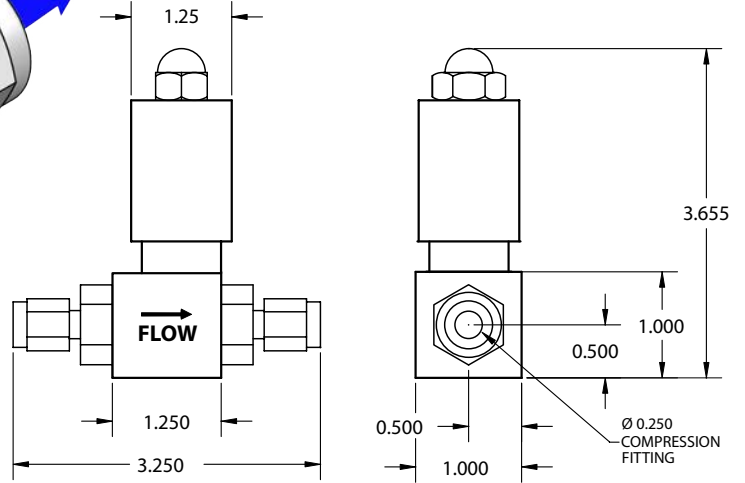
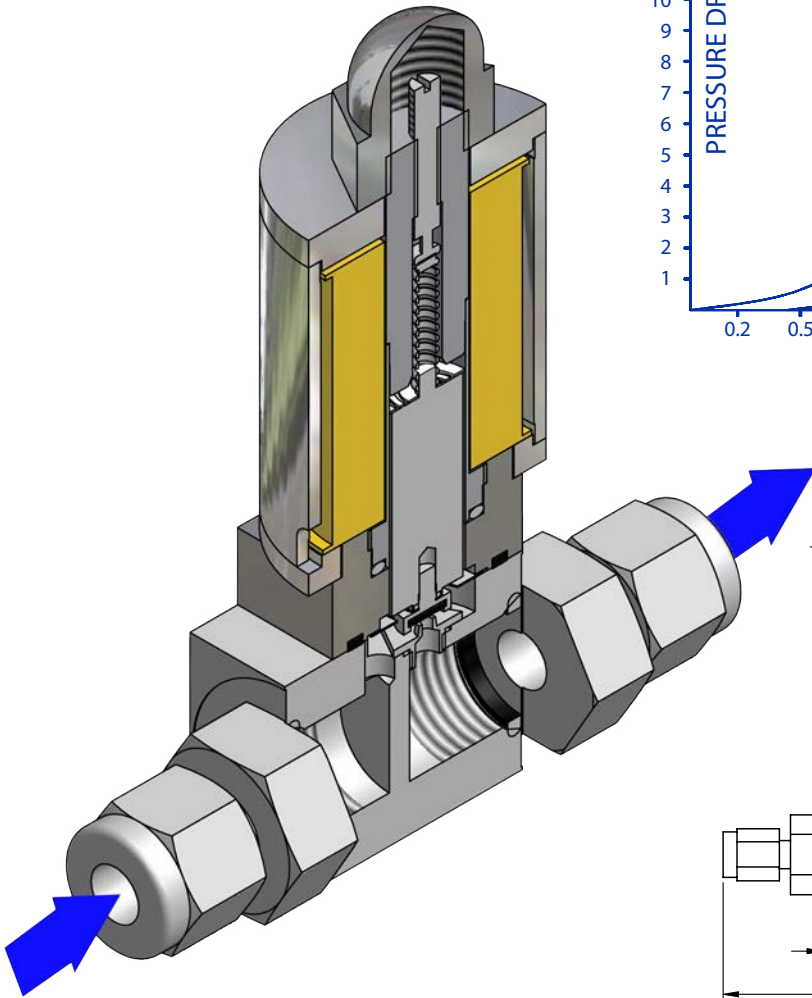
|                                       |  |
|---------------------------------------|--|
| <b>POWER INPUT:</b>                   | 0-30Vdc.   |
| <b>MAXIMUM POWER REQUIRED:</b>        | 400 mA.  |
| <b>TYPE OF OPERATION:</b>             | Normally closed (NC) when de-energized.  |
| <b>CONNECTIONS:</b>                   | 1/4" Compression fittings optional 3/8" (1/8" with PSV1, 2 or 3).                      |
| <b>** MATERIALS IN FLUID CONTACT:</b> | Types 316 and 416 stainless steel, FKM O-rings. Optional O-rings: Buna®, EPR and FFKM. |
| <b>MAXIMUM PRESSURE:</b>              | 1000 psig (6897 kPa).  |
| <b>MAXIMUM DIFFERENTIAL PRESSURE:</b> | 50 psid (345 kPa).   |
| <b>LEAK INTEGRITY:</b>                | 1 X 10 <sup>-9</sup> smL/sec Helium individually tested.                               |
| <b>FLUID TEMPERATURE:</b>             | 14 °F to 122 °F (-10 °C to 50 °C).   |
| <b>MAXIMUM TEMPERATURE (typical):</b> | 174 °F (79 °C) inside, 130 °F (54 °C) outside surface at 24Vdc.                        |

\*\*The selection of materials of construction, is the responsibility of the customer. The company accepts no liability.

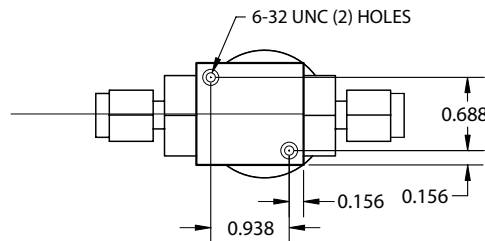
### Pressure Drops Across PSV Valves



Cross Sectional View  
PSV Valve



PSV Proportionating  
Electromagnetic Valves



NOTE: Aalborg® reserves the right to change designs and dimensions at its sole discretion at any time without notice. For certified dimensions please contact Aalborg®.



Configure and Order Online: [PSV Proportional Solenoid Valve](#)

|     |          |   |
|-----|----------|---|
| PSV | MODEL    |   |
|     | SERIES   |   |
|     | 1        |   |
|     | 2        |   |
|     | 3        |   |
|     | 4        |   |
|     | 5        |   |
|     | MATERIAL |   |
|     | S        | Stainless Steel                           |
|     | SEALS    |   |
|     | V        | FKM                                       |
|     | B        | Buna®                                     |
|     | E        | EPR                                       |
|     | T        | PTFE / FFKM                               |
|     | FITTINGS |   |
|     | A        | 1/4" Compression                          |
|     | B        | 1/8" Compression (1/8" with PSV1, 2 or 3) |
|     | D        | 3/8" Compression                          |

|     |   |   |   |   |   |
|-----|---|---|---|---|---|
| PSV | 4 | S | — | V | A |
|-----|---|---|---|---|---|

**EXAMPLE: PSV4S-VA**

PSV4 stainless steel, FKM seals with 1/4" compression fittings.

**PSV-D**

Pulse width modulated PSV-D Driver Modules regulate the power supplied to PSV Regulating valves based on a reference signal.

Set-point signals, 0-5 Vdc or 4-20 mA, input are employed to control the output pulse width modulated voltage at a fixed frequency (>30KHz) and amplitude. Incoming power to the valve coil is applied and discontinued for pre-determined periods of time by a low loss solid state switching element.

As incoming power is applied, energy in the inductive coils increases and when it is discontinued energy stored in the coil maintains the magnetic flux level required to hold flow at the controlled rate. This cycle takes place many thousands of times per second.

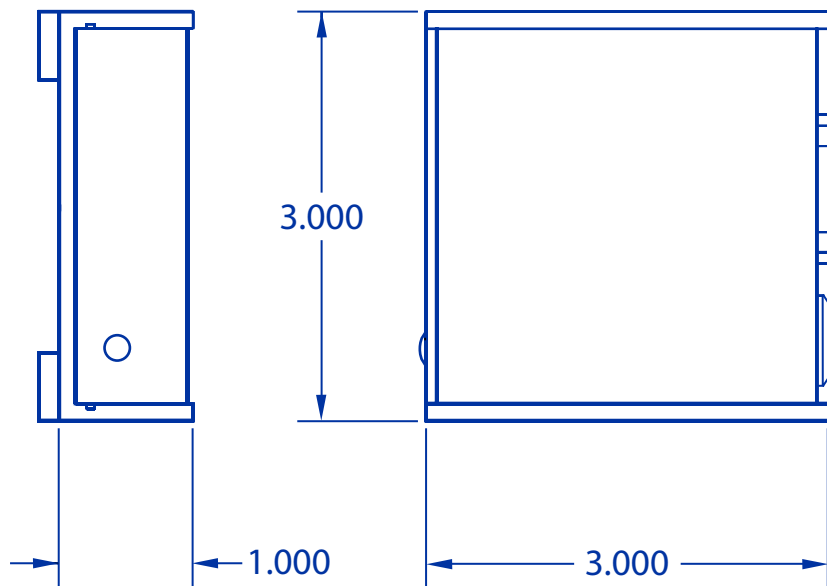
**The wide range of power input features conveniently accommodates 12 to 32 Vdc sources.**

The Auto-Select feature of the Driver Module recognizes the type of reference signal received and defaults to 0 - 5 Vdc if both signals are provided.

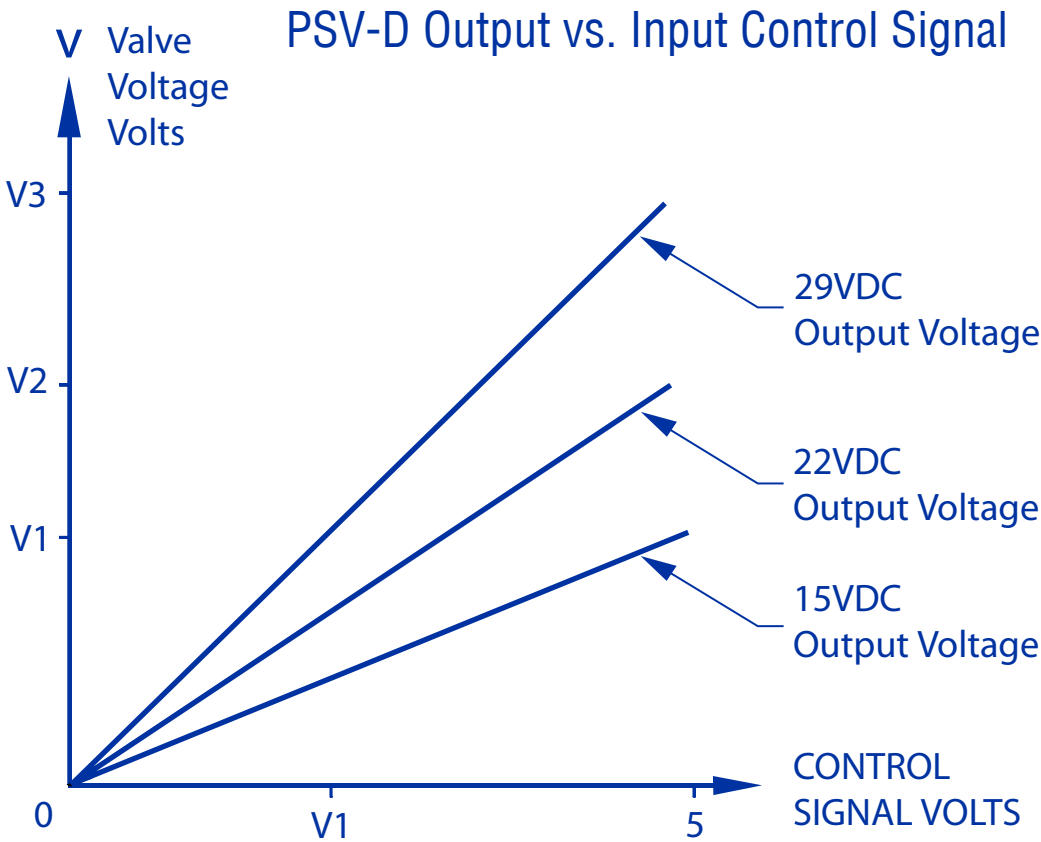


Shown with PSV Valve

**Dimensions Pulse Width Modulated Driver Module**



NOTE: Aalborg® reserves the right to change designs and dimensions at its sole discretion at any time without notice. For certified dimensions please contact Aalborg®.



Jumper selectable output power allows a choice of dc voltage range for cooler more efficient operation, as a function of flow rates.

**Internal resettable fuse protects electronics and rectifier circuits, prevents polarity reversal damage.**

The maximum output voltage supplied to the PSV Valve can be set or changed in the field to allow for optimal use of the input reference signal to output voltage based on the specific flow rate and operating pressure applied to the valve.

TABLE 53 - SPECIFICATIONS

|                               |  |
|-------------------------------|--|
| <b>CONNECTION:</b>            | 9-pin male "D" subconnector for input/output signals.  |
| <b>POWER INPUT REQUIRED:</b>  | +12 to 30 Vdc 1A @ 12 Vdc, 0.5A (not supplied) @ 24 Vdc via 9-pin "D"-connector or dc power jack (center positive).      |
| <b>INPUT SIGNAL:</b>          | Auto-Select feature allows circuit to recognize which analog input reference (0 to 5 Vdc or 4-20 mA) signal is provided. |
| <b>TTL ON/OFF:</b>            | Jumper selectable LOW (0 Vdc) OFF-HIGH (5 Vdc) on, or reverse, to select valve ON/OFF status.                            |
| <b>VALVE OUTPUT POWER:</b>    | Jumper selectable to +15, +22, and +29 Vdc with adjacent potentiometer to obtain ±2 Vdc.                                 |
| <b>FUSE RATING:</b>           | An internal resettable 1.6A fuse protects the electronics on the power input.  |
| <b>POLARITY PROTECTION:</b>   | Internal rectifier circuit protects from reversed polarity on the power input.   |
| <b>OPERATING TEMPERATURE:</b> | 32 °F (0 °C) to 122 °F (50 °C).  |
| <b>DIMENSIONS:</b>            | 3" (7.62mm) wide x 3" (7.62mm) deep x 1" (25.4mm) high.  |
| <b>CE COMPLIANCE :</b>        | EMC Directive 89/336/EEC EN55011:1991 Group 1, Class A EN50082-2:1995.   |

| ORDERING INFORMATION FOR PSV-D |                                       |
|--------------------------------|---------------------------------------|
| MODEL                          |                                       |
| PSV-D                          | Proportionating Solenoid Valve Driver |

TABLE 54- ACCESSORIES FOR FOR PSVD DRIVER MODULE

|                |  |
|----------------|--|
| PS-PSV-110NA-4 | Power Supply, 110vac/24 Vdc /North America |
| PS-PSV-230EU-4 | Power Supply, 230vac/24 Vdc /Europe        |
| PS-PSV-240AU-4 | Power Supply 240vac/24 Vdc /Australia      |
| PS-PSV-240UK-4 | Power Supply 240vac/24 Vdc /United Kingdom |
| CBL-DP9-6      | Female 9 pin D-connector with 6 ft.cable   |

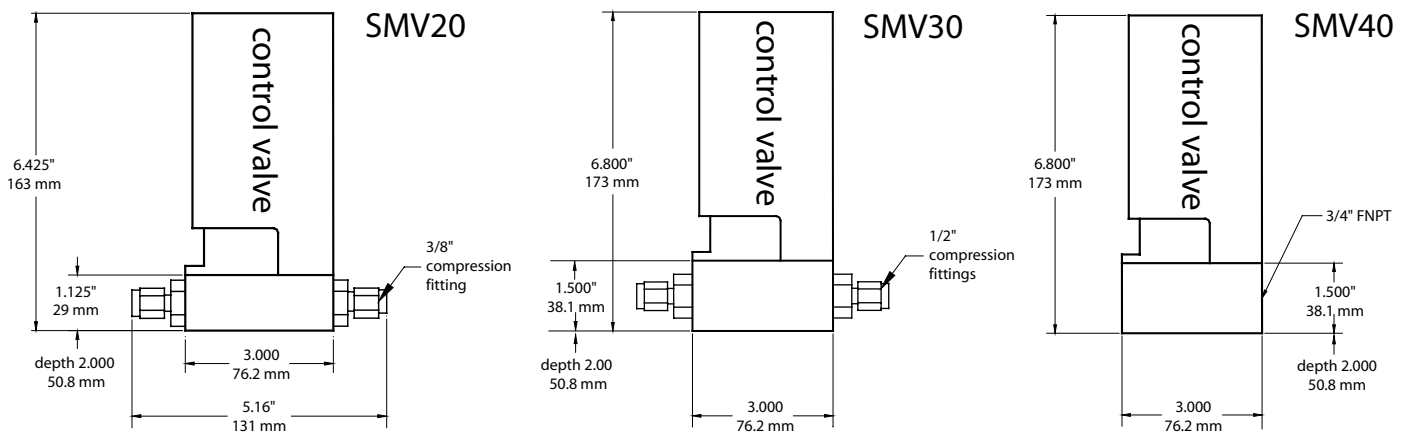
## Design Features

- High precision two-way metering valves in aluminum or 316 SS for air/water.
- Unparalleled precision and resolution in controlling flow rates.
- (0.00025" per step resolution standard, 0.000125" optional).
- Operate continuously without overheating.
- Eliminates coil heating problems associated with solenoid designs.

## SMV Stepping Motor Valves



## SMV Stepping Motor Valve Dimensions



NOTE: Aalborg® reserves the right to change designs and dimensions at its sole discretion at any time without notice. For certified dimensions please contact Aalborg®.

Configure and Order Online: [SMV Stepping Motor Valve](#)

TABLE 55 - SPECIFICATIONS

|                                       |   |
|---------------------------------------|---|
| <b>ALUMINUM MODELS:</b>               | Aluminum housings and valve blocks, FKM O-Rings, PFA closing pins.  |
| <b>STAINLESS STEEL / PTFE MODELS:</b> | 316 stainless steel valve blocks, PTFE-lined aluminum housing blocks, FKM O-Rings, and PFA closing pins.                          |
| <b>MAXIMUM FLOW RATES:</b>            | 1000 L/min (air), 28 L/min (H <sub>2</sub> O).  |
| <b>CONNECTIONS:</b>                   | 3/8", 1/2", compression and 3/4" FNPT.  |
| <b>ELECTRICAL CONNECTIONS:</b>        | 9-pin "D"-connector, located at the side of the valve.  |
| <b>POWER INPUT:</b>                   | 12Vdc @ 800 mA, or +24 Vdc @ 600 mA, protected by a 1600mA resettable fuse.   |
| <b>DIRECTIONAL CONTROL SIGNAL:</b>    | 12Vdc CMOS compatible logic level signal (10K input impedance). (Logic High $\geq$ 7.5 Vdc, Low $<$ 2.3 Vdc).                     |
| <b>SPEED CONTROL SIGNAL:</b>          | Analog 0 to 2.5 Vdc (100K input impedance). ON/OFF override: 12 Vdc CMOS low active level to pins. 7 and 3 (10K input impedance). |
| <b>RESPONSE TIME:</b>                 | 100ms time constant.  |
| <b>PRESSURE DROP AT MAX. FLOW:</b>    | 700 to 1000) mbars 10 to 15 psid.   |
| <b>MAXIMUM OPERATING PRESSURE:</b>    | 500 psig (35 bars).   |
| <b>MAXIMUM DIFFERENTIAL PRESSURE:</b> | 40 psig (2.7 bars).   |
| <b>GAS &amp; AMBIENT TEMPERATURE:</b> | 32 °F to 122 °F (0 °C to 50 °C).  |

**Operation**

When the "DIRECTION" is set LOW (GND) the valve spindle travels downward (closes), when it is set HIGH, the valve spindle moves upward (opens). The "SPEED" voltage on pin 4 determines how quickly the valve opens or closes. The signal amplitude for the "SPEED" control signal must remain within the limits of 0 to +2.5 Vdc. It may be necessary to override "DIRECTION" and "SPEED" signals with the preset (2.75 Vdc) speed control signal.

This can be accomplished with valve CLOSE and PURGE control signals (open collector NPN compatible). In order to CLOSE the valve, pin 3 on the 9-pin "D"- connector has to be connected to GND (pin 2). A GREEN light on the top of the valve will indicate a CLOSED valve condition. In order to PURGE the valve, pin 7 on the 9-pin "D"-connector has to be connected to GND (pin 2). A RED light on the top of the valve will indicate a fully OPEN valve condition. During normal operation the valve remains in the last position as it is deenergized.

After powering up, the valve will be automatically closed within the first 10 seconds and after that resumes control operation. Operating power and valve control signals are supplied via the "D"-connector.

**General Description**

A line of electronic two-way metering needle valves is presented. High precision linear stepping motors drive the valve spindle.

The resolution of the stepping motor driven needles is 0.00025"/step standard. Optional 0.000125" /step resolution available. Low differential pressure valves, may be operated continuously (100% duty cycle). Valves stay in position as when de-energized.

Advantages over solenoid operated valves include cool operations, i.e. there are no control operating problems due to coils heating up, extremely fine resolution, very low differential pressures and high operating pressures. Valves are controllable by CMOS 12 Vdc compatible logic level and analog 0 to 2.5 Vdc signals.

TABLE 56 - FLOW RATE FOR SMV

| MODEL NUMBERS | MAXIMUM FLOW RATE |        |                  |         | Cv    | CONNECTIONS      | MATERIAL        |
|---------------|-------------------|--------|------------------|---------|-------|------------------|-----------------|
|               | AIR               |        | H <sub>2</sub> O |         |       |                  |                 |
|               | L/min]            | [scfh] | [L/min]          | gal/min |       |                  |                 |
| SMV20-AVD2    | 200               | 424    | 5.6              | 1.48    | 0.336 | 3/8" compression | Aluminum        |
| SMV20-SVD2    | 200               | 424    | 5.6              | 1.48    | 0.336 | 3/8" compression | Stainless Steel |
| SMV30-AVE2    | 500               | 1060   | 14.2             | 3.75    | 0.855 | 1/2" compression | Aluminum        |
| SMV30-SVE2    | 500               | 1060   | 14.2             | 3.75    | 0.855 | 1/2" compression | Stainless Steel |
| SMV40-AVF2    | 1000              | 2119   | 28               | 7.4     | 1.735 | 3/4" FNPT        | Aluminum        |
| SMV40-SVF2    | 1000              | 2119   | 28               | 7.4     | 1.735 | 3/4" FNPT        | Stainless Steel |

## Intelligent Control Valve



## Design Features

- Improved high-precision two-way metering valves in aluminum or 316 SS for gas/liquid applications.
- Four different control modes and multiple analog interfaces are supported to accommodate the variety of customer applications.
- Standard digital RS-485 interface implemented using galvanically isolated RS-485 transceiver with high common-mode transient immunity allows direct digital communication with PLC or PC and provides access to all configuration and process variable parameters.
- ASCII commands set, free Communication and Configuration software, and LabVIEW Driver\*.
- Eliminates problems associated with solenoid designs, such as coil heating and electromagnetic hysteresis.

## General Description

A line of improved electronic two-way metering needle valves is presented. A high-precision linear stepping motor actuator drives the valve spindle. The standard resolution of the stepping motor actuator-driven needles is 0.000125"/step. In micro-stepping mode, the resolution is 0.0000078125"/step.

### The valve can be controlled using one of the four modes:

- Analog Interface (0-5Vdc, 1-5 Vdc, 4-20mA, 0-10Vdc\* options are supported). The valve opening is linearly proportional to the control analog signal in this mode.
- Digital RS-485 Interface (via optically isolated transceiver using proprietary ASCII commands set). In this mode, the user can control the valve by sending the command with the desired valve opening position expressed in % of valve full opening (0.00 to 100.00% with 0.01% resolution).
- Direction / Speed (legacy SMV valve proprietary mode). In this mode valve is controllable using digital TTL (low active) "Direction" and analog (0-5Vdc, 1-5 Vdc, 4-20mA, 0-10Vdc\* options are supported) "Speed" signals.
- Step Clock / Direction. In this mode, the valve is controllable using digital TTL (low-active) "Step" and "Direction" signals. With each falling edge on the "Step Clock" input, the valve needle will move one step to close or open direction based on the logic level applied to the "Direction" input.

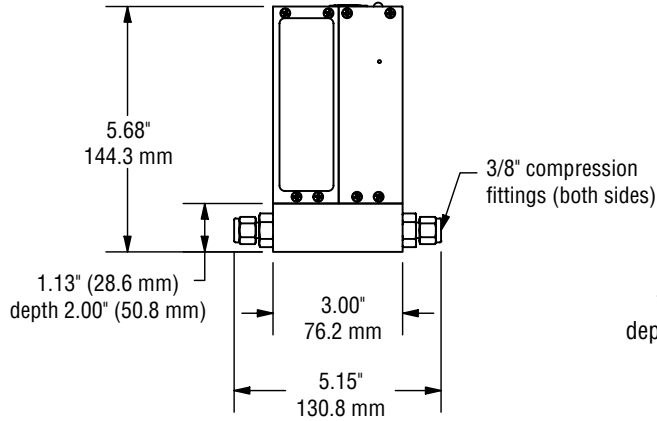
Low differential pressure valves may be operated continuously (100% duty cycle). When de-energized, the valves stay in the same position. Advantages over electromagnetic solenoid-operated valves include cool operations, i.e., no control operating problems due to coils heating up, no electromagnetic hysteresis, excellent resolution, and very low differential pressures. The valve control may be overridden with CLOSE and PURGE control signals (TTL low active). To CLOSE the valve, pin 3 on the 9-pin "D"- connector must be connected to GND (pin 2). A GREEN light on the top of the valve will indicate a CLOSED valve condition. To PURGE the valve, pin 7 on the 9-pin "D"-connector has to be connected to GND (pin 2). A RED light on the top of the valve will indicate a fully OPEN valve condition. During regular operation, the valve remains in the last position as it is de-energized.

*\*NOTE: 0-10 Vdc analog input option requires additional jumper installation on the PCB and cannot be selected on the field using the user multi-functional button or via digital RS-485 interface. If the 0-10 Vdc option is required, it must be specified during the order.*

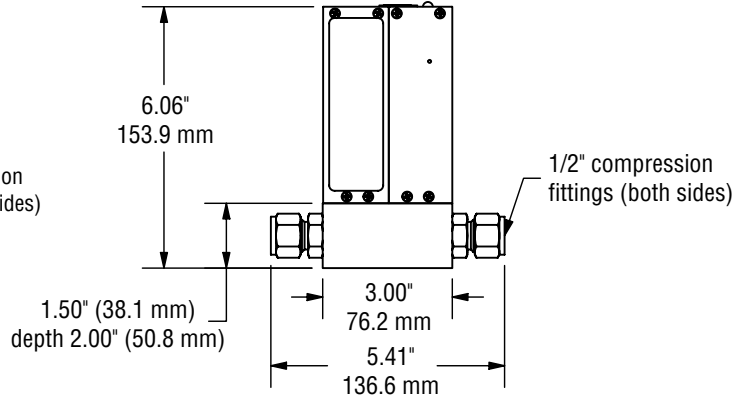
**TABLE 57 - FLOW RATE FOR SMVI**

| MODEL NUMBERS | MAXIMUM FLOW RATE<br>(at 20 psi differential pressure, 70 °F) |        |                  |      | Cv    | CONNECTIONS              | ORIFICE SIZE |
|---------------|---|--------|------------------|------|-------|--------------------------|--------------|
|               | AIR   |        | H <sub>2</sub> O |      |       |                          |              |
|               | sL/min]   | [scfh] | [L/min]          | GPM  |       |                          |              |
| SMVI20        | 200   | 424    | 5.6              | 1.48 | 0.336 | 3/8" compression fitting | 3/8"         |
| SMVI30        | 500   | 1060   | 14.2             | 3.75 | 0.855 | 3/8" compression fitting | 3/8"         |
| SMVI40        | 1000  | 2119   | 28               | 7.4  | 0.735 | 3/4" FNPT                | 1/2"         |

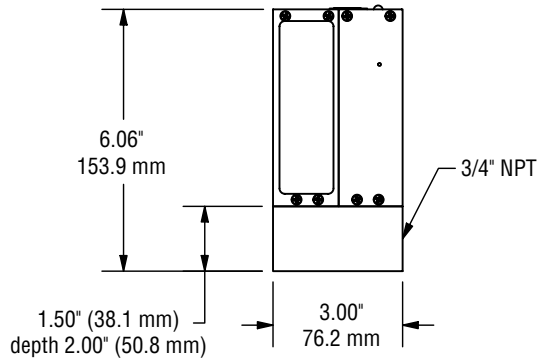
**SMVI20**



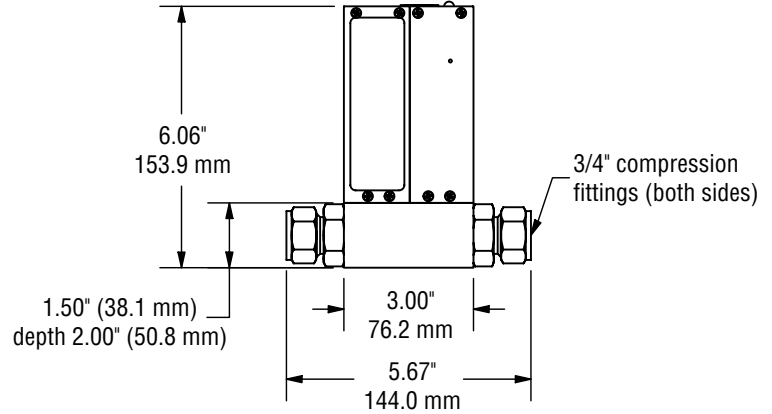
**SMVI30**



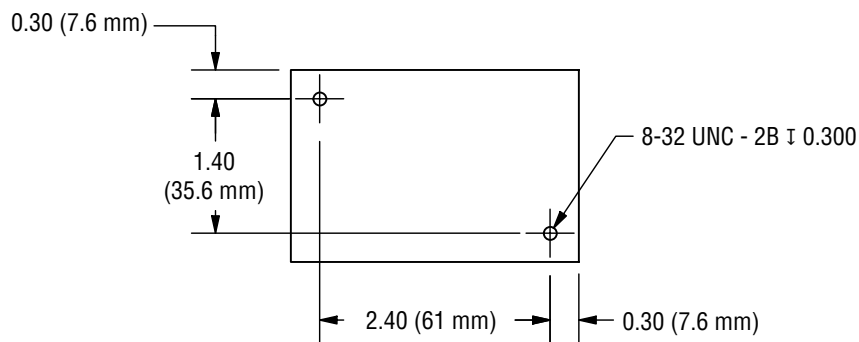
**SMVI40**



**SMVI40C**



**Table Mounting Holes (Typical)**





Configure and Order Online: [SMVI Intelligent Control Valve](#)

|  |   |        |
|--|---|--------|
| SMVI   | MODEL   |        |
| SERIES   |   |        |
| 20   |   |        |
| 30   |   |        |
| 40   |   |        |
| MATERIAL   |   |        |
| A  | Aluminum  |        |
| S  | Stainless Steel   |        |
| SEALS  |   |        |
| V  | FKM   |        |
| B  | Buna®   |        |
| E  | EPR   |        |
| T  | PTFE / FFKM   |        |
| FITTINGS   |   |        |
| D  | 3/8" Compression  | SMVI20 |
| E  | 1/2" Compression  | SMVI30 |
| F  | 3/4" FNPT   | SMVI40 |
| G  | 3/4" Compression  | SMVI40 |
| POWER  |   |        |
| 6  | Universal 12 to 24 Vdc  |        |
| VALVE OPENING CONTROL MODE                               |   |        |
| A  | Analog Interface (% of opening)   |        |
| B  | Digital RS-485 Interface (all parameters including % of opening)        |        |
| C  | Direction / Speed (legacy SMV valve proprietary mode)                   |        |
| D  | Step Clock / Direction  |        |
| ANALOG INPUT (applicable only for A and C control modes) |   |        |
| A  | 0-5Vdc  |        |
| B  | 0-10Vdc *<br>(specify during the order, cannot be changed on the field) |        |
| C  | 1-5Vdc  |        |
| D  | 4-20 mA   |        |

SMVI 30 - S V E 6 - A A

NOTE: 0-10 Vdc analog input option requires additional jumper installation on the PCB and cannot be selected on the field using user multi-functional button or via digital RS-485 interface. If the 0-10 Vdc option is required, it must be specified during the order.

**EXAMPLE: SMVI30-SVE6-AA**

Stepping Motor Valve Intelligent 500 sl/min, SS, FKM, 1/2" Compression fittings, universal 12 to 24 Vdc power, Analog Interface, 0-5Vdc.

**TABLE 57 - CONVERSION FACTORS**

| MULTIPLY      | BY                       | TO OBTAIN  |
|---------------|--------------------------|------------|
| atm           | 14.70                    | lbs/sq. in |
| atm           | 1.0333                   | kg/sq. cm  |
| lbs/sq. in    | 0.07031                  | kg/sq. cm  |
| ml/min        | 0.001                    | liters/min |
| ml/min        | 3.531 X 10 <sup>-5</sup> | cu. ft/min |
| ml/min        | 1.585 x 10 <sup>-2</sup> | gal/hr     |
| cu. ft/hr     | 472                      | ml/min     |
| gal/min       | 3785                     | ml/min     |
| g/ml          | 62.43                    | lbs/cu. ft |
| g/ml          | 0.03613                  | lbs/cu. in |
| cc/min        | 1                        | mL/min     |
| cfm (ft3/min) | 28.31                    | L/min      |
| cfm (ft3/min) | 1.699                    | m3/hr      |
| oz/min        | 29.57                    | mL/min     |

**TABLE 58 - PRESSURE CONVERSION FACTORS**

| MULTIPLY | BY    | TO OBTAIN |
|----------|-------|-----------|
| psi      | 27.71 | in. H2O   |
| psi      | 2.036 | in. Hg    |
| psi      | 703.1 | mm/H2O    |
| psi      | 51.75 | mm/Hg     |
| psi      | .0703 | kg/cm2    |
| psi      | .0689 | bar       |
| psi      | 68.95 | mbar      |
| psi      | 6895  | Pa        |
| psi      | 6.895 | kPa       |

**TABLE 59 - TEMPERATURE**

|   |
|---|
| $^{\circ}\text{F} = (1.8 \times ^{\circ}\text{C}) + 32$   |
| $^{\circ}\text{C} = (^{\circ}\text{F} - 32) \times 0.555$ |
| $^{\circ}\text{Kelvin} = ^{\circ}\text{C} + 273.2$        |

**TABLE 60 - LENGTH**

| MULTIPLY | BY    | TO OBTAIN |
|----------|-------|-----------|
| inch     | 2.54  | cm        |
| inch     | 12    | foot      |
| ft.      | 0.305 | meter     |
| yard     | 1.914 | meter     |
| Angstrom | 1010  | meter     |

## COMMON EQUIVALENTS AND CONVERSIONS

| Approximate Common Equivalents |                       |
|--------------------------------|-----------------------|
| 1 inch                         | = 25 millimeter       |
| 1 foot                         | = 0.3 meter           |
| 1 yard                         | = 0.9 meter           |
| 1 mile                         | = 1.6 kilometers      |
| 1 square inch                  | = 6.5 sq centimeters  |
| 1 square foot                  | = 0.09 square meter   |
| 1 square yard                  | = 0.8 square meter    |
| 1 acre                         | = 0.4 hectare +       |
| 1 cubic inch                   | = 16 cu centimeters   |
| 1 cubic foot                   | = 0.03 cubic meter    |
| 1 cubic yard                   | = 0.8 cubic meter     |
| 1 quart (lq)                   | = 1 liter +           |
| 1 gallon                       | = 0.004 cubic meter   |
| 1 ounce (avdp)                 | = 28 grams            |
| 1 pound (avdp)                 | = 0.45 kilogram       |
| 1 horsepower                   | = 0.75 kilowatt       |
|                                |                       |
| 1 millimeter                   | = 0.04 inch           |
| 1 meter                        | = 3.3 feet            |
| 1 meter                        | = 1.1 yards           |
| 1 kilometer                    | = 0.6 mile            |
| 1 square centimeter            | = 0.16 square inch    |
| 1 square meter                 | = 11 square feet      |
| 1 square meter                 | = 1.2 square yards    |
| 1 hectare +                    | = 2.5 acres           |
| 1 cubic centimeter             | = 0.06 cubic feet     |
| 1 cubic meter                  | = 35 cubic feet       |
| 1 cubic meter                  | = 1.3 cubic yards     |
| 1 liter +                      | = 1 quart             |
| 1 cubic meter                  | = 250 gallons         |
| 1 gram                         | = 0.035 ounces (avdp) |
| 1 kilogram                     | = 2.2 pounds (avdp)   |
| 1 kilowatt                     | = 1.3 horsepower      |

| Conversions Accurate to Parts Per Million |                      |
|---|----------------------|
| inches X 25.4*                            | = millimeters        |
| feet X 0.3048*                            | = meters             |
| yards X 0.9144*                           | = meters             |
| miles X 1.603 34                          | = kilometers         |
| square inches X 6.4516*                   | = square centimeters |
| square feet X 0.92 903 0                  | = square meters      |
| square yards X 0.836 127                  | = square meters      |
| acres X 0.404 686                         | = hectares           |
| cubic inches X 16.3871                    | = cubic centimeters  |
| cubic feet X 0.028 316.8                  | = cubic meters       |
| cubic yards X 0.764 555                   | = cubic meters       |
| quarts (lq) X 0.946 353                   | = liters             |
| gallons X 0.003 785 41                    | = cubic meters       |
| ounces (avdp) X 28.3495                   | = grams              |
| pounds (avdp) X 0.453 592                 | = kilograms          |
| horsepower X 0.745 700                    | = kilowatts          |
|   |                      |
| millimeters X 0.039 370 1                 | = inches             |
| meters X 3.280 84                         | = feet               |
| meters X 1.093 61                         | = yards              |
| kilometers X 0.621 371                    | = miles              |
| sq centimeters X 0.155 000                | = square inches      |
| square meters X 10.7639                   | = square feet        |
| square meters X 1.195 99                  | = square yards       |
| hectares X 2.471 05                       | = acres              |
| cu centimeters X 0.061 623 7              | = cubic inches       |
| cubic meters X 35.3147                    | = cubic feet         |
| cubic meters X 1.307 95                   | = cubic yards        |
| liters X 1.056 69                         | = quarts (lq)        |
| cubic meters X 264.172                    | = gallons            |
| grams 0.035 274 0                         | = ounces (avdp)      |
| kilograms X 2.204 62                      | = pounds (avdp)      |
| kilowatts 1.341 02                        | = horsepower         |

| THESE PREFIXES MAY BE APPLIED TO ALL SI UNITS |                     |
|---|---------------------|
| Multiples and Submultiples                    |                     |
| 1 000 000 000 000                             | = 10 <sup>12</sup>  |
| 1 000 000 000                                 | = 10 <sup>9</sup>   |
| 1 000 000                                     | = 10 <sup>6</sup>   |
| 1000  | = 10 <sup>3</sup>   |
| 100   | = 10 <sup>2</sup>   |
| 10  | = 10                |
| 0.1   | = 10 <sup>-1</sup>  |
| 0.01  | = 10 <sup>-2</sup>  |
| 0.001   | = 10 <sup>-3</sup>  |
| 0.000 001                                     | = 10 <sup>-6</sup>  |
| 0.000 000 001                                 | = 10 <sup>-9</sup>  |
| 0.000 000 000 001                             | = 10 <sup>-12</sup> |
| 0.000 000 000 000 001                         | = 10 <sup>-15</sup> |
| 0.000 000 000 000 000 001                     | = 10 <sup>-18</sup> |

| Prefixes        | Symbols |
|-----------------|---------|
| tara (ter'a)    | T       |
| giga (ji ga)    | G       |
| mega (meg'a)    | M       |
| kilo (kil o)    | k+      |
| hecto (hek'to)  | h       |
| deka (dek'a)    | da      |
| deci (des'i)    | d       |
| centi (sen'ti)  | c+      |
| milli (mil'i)   | m+      |
| micro (mi' kro) | u+      |
| nano (nan'o)    | n       |
| pico (pe'ko)    | p       |
| femto (fem'to)  | f       |
| atto (at'to)    | a       |

+ common term not used in S1 Source: NBS Special Pub. 304.

### TRADEMARKS

Aalborg® -is a registered trademark of Aalborg Instruments & Controls.  
 Buna-N® -is a registered trademark of DuPont Dow Elastomers.  
 VCR® -is a registered trademark of Swagelock Marketing Company.

### US PATENT NUMBERS

4,862,750 and 5,561,249

## Limited Warranty Policy

### Warranty Coverage

Aalborg® warrants its products to be free from defects in materials and workmanship for a period of not to exceed (12) months from the date of purchase.

### Customer Responsibilities

It is the sole responsibility of the customer to ensure the proper selection of equipment that is compatible with the flow medium and operating conditions in use. Products must be operated by qualified personnel knowledgeable in the equipment's intended application, limitations, and proper usage. Use of the equipment in a manner inconsistent with operational guidelines, including exposure to incompatible gases, liquids, or conditions, voids all warranty coverage.

### Limitations and Exclusions

This warranty does not cover:

Product that was used outside of its stated specifications.

Products that, upon examination by Seller, or Seller's authorized service provider, are found to have been mishandled, misused, abused, or damaged by Buyer or any third party.

A product repaired or modified by performed by a party other than Aalborg® or its authorized representatives.

Improperly stored, installed, operated, or maintained in a manner inconsistent with Seller's instructions.

Defects attributed to normal wear and tear or failure to comply with Seller's safety warnings.

Indirect, incidental, consequential, special, punitive, or consequential damages, including lost profits.

Shipping or transportation charges to Aalborg® or its authorized service facility.

### Return Authorizations

Goods shall not be returned without Seller's prior authorization.

It is recommended that our service representatives be contacted to rectify product issues remotely, if possible. When not possible, request a Return Authorization Number (RAN) and a SERVICE SAFETY ASSURANCE CERTIFICATE form to be completed and attached for factory evaluation.

If a defect covered by this warranty is discovered, the product will be repaired or replaced at Aalborg's sole discretion, free of charge for parts and labor.

Such repair, replacement, or credit shall be Buyer's sole remedy for defective Goods and Services.

For defective Goods not covered by this warranty, repair or replacement shall not be performed until and unless Buyer issues an Order to Seller authorizing such repair or replacement at Seller's then-current repair or replacement price.

In addition, Seller may charge Buyer for any testing or inspection costs. In no event shall Seller retain or store returned Goods for more than three (3) months.

### Disclaimer

THESE WARRANTIES, INCLUDING THE REMEDIES SET FORTH HEREIN, ARE EXCLUSIVE AND ARE IN LIEU OF ANY AND ALL OTHER WARRANTIES, EXPRESS OR IMPLIED. NO WARRANTY OF MERCHANTABILITY OR FITNESS FOR A PARTICULAR PURPOSE IS INTENDED OR GIVEN.

*AALBORG INSTRUMENTS & CONTROLS, INC.*

*20 Corporate Drive, Orangeburg, NY 10962*

*Phone: 845-770-3000*

*Email: info@aalborg.com*

*Website: www.aalborg.com*

Form nr.: AAL-WP1

## EUROPEAN SERVICE CENTER

Authorized Repair and Service Facility for Aalborg Thermal  
Mass Flow Systems Aalborg-MESSTECHNIK GMBH Klostersstraße  
18 P.O. Box 1321 Müllheim D-79379 Germany  
Telefon: +49 (0)7631 5545 / Fax: +49 (0)7631 14740  
Website: [www.analyt-mtc.de](http://www.analyt-mtc.de) / e-mail: [info@analyt-mtc.de](mailto:info@analyt-mtc.de)

175, avenue d'Alsace 68000 COLMAR  
Tel: 03 89 41 47 78 / Fax: 03 89 41 59 88  
e-mail: [ANALYT\\_MTC@T-online.de](mailto:ANALYT_MTC@T-online.de)

## ASIAN SERVICE FACILITY

Authorized Repair and Service Facility for Aalborg Thermal  
Mass Flow Systems Aalborg- Beijing Comity Measure & Control Co.

Floor 1 Tower B Jindayuan Office Building  
Xisanqi, Hai Dian District, Beijing, China  
Phone: 86-10-6295-0464, 86-10-6295-0465  
Fax: 86-10-6295-0466  
Website: <http://www.comity-tec.com>

## Products Manufactured By Aalborg

### ELECTRONIC METERS & CONTROLLERS

#### Low Cost Mass Flow Meters

Aluminum or Stainless ● With or Without LCD Readout

#### Low Cost Mass Flow Controllers

Aluminum or Stainless ● With or Without LCD Readout

#### Mass Flow Controllers

Stainless ● One to Four Channel Systems

#### Digital Mass Flow Controllers

Auto Zero ● Totalizer ● Alarms = Built in RS485

#### Multi-Parameter Digital Mass Flow Meters

Displays Flow Pressure and Temperature

#### Paddle Wheel Meters

For Liquids ● Optional Temperature Measurements

#### Smart Rate / Totalizer / Signal Conditioner

LCD Keypad ● RS232 / 485 ● Pulse Output ● Alarms

### ROTAMETERS

#### Single Tube

Aluminum / Brass / Stainless I Interchangeable Glass Flow Tubes ● Optional Valves

#### Multiple Tube

Two to Six Channels ● Aluminum or Stainless

#### PTFE Single and Multiple Tube

Chemically Inert ● 1 to 4 Channels ● Interchangeable Glass Flow tubes

#### PTFE - PFA

Chemically Inert ● Low to Medium Flow of Corrosive Liquids with PFA Flow Tube

#### Kits

Aluminum / Stainless / PTFE ● Including Five Glass Flow Tubes and a Set of Floats

#### Gas Proportioners

Aluminum / Stainless ● Used for Blending Two or Three Gases

#### Medium Range

Glass Safety Shield ● Dual Air and Water Scale

#### Optical Sensor Switch

Non-Invasive Means for Detection of a High or Low Flow

#### High Flow Industrial Stainless Steel Flow Meters

Heavy Duty Stainless Steel ● Direct Reading Air and Water Scales

### VALVES

#### Barstock

Brass or Stainless ● Standard or High Precision

#### PTFE

Chemically Inert ● Needle or Metering

#### Proportioning Solenoid

Stainless ● For Controlling Gas or Liquid Flow

● Pulse width Modulated

#### SMV ● Stepping Motor Valve

### PERISTALTIC PUMPS

#### Fixed RPM Pumps

#### Pump Heads

#### Tubing Pumps

#### Variable Speeds

#### Dispensing Pumps

#### Flexible Tubings