

PTFE FLOW METERS

Incorporating the principles of traditional rotameter flow technology, these rugged PTFE flow meters offer solutions to low to medium flow range measurements of highly corrosive or ultra-pure liquids.

Model L meters are constructed of inert materials: PTFE and PCTFE. The unique design construction brings about an inert, mechanically rigid flow meter line. Flow meters are also resistant to external, ambient corrosives. For the protection of personnel each flow meter is supplied with a safety shield.

Flow meters are supplied with or without built-in needle valves and they are panel mountable.

design features

- ✓ Constructed from PTFE and PCTFE.
- ✓ Overlapping flow ranges are available for water from 5 mL/min (0.00132 GPM) to 45 L/min (12 GPM).
- ✓ Individually leak tested.

PRINCIPLES OF OPERATION

A cylindrical float freely moving inside a tapered flow tube comprises the flow measurement element of PTFE flow meters. The translucent flow tube is installed vertically in-line in the liquid stream.

As flow takes place the float is propelled up inside the flow tube. The area between the float and the inside diameter of the flow tube gradually increases with increasing flow and correspondingly the pressure lifting the float decreases until the weight of the float and its buoyant force come to equilibrium. At equilibrium the top of the float is lined up with a scale graduation on the flow tube denoting a discrete rate of flow.

High Range PTFE meter with Valve



Low Range PTFE meter with Valve

LEAK INTEGRITY

Flow meters are individually tested on a Mass Spectrometer Leak Detector and certified to a leak integrity rating of 1×10^{-7} sccs Helium or better.



Configure and Order Online: [Model L PTFE Flow Meters](#)

ORDERING INFORMATION

L STYLE LOW RANGE METERS

METER SIZE	MODEL NUMBER		CONNECTION	MAXIMUM FLOW	
	BUILT IN VALVE	NO VALVE		[mL/min] WATER	[gph] WATER
C	L6C-L01-01-SA	L3C-L01-01-SA	1/4" FNPT	75	1.20
	L6C-L02-01-TF	L3C-L02-01-TF	1/4" FNPT	250	4.0
	L6C-L03-01-TF	L3C-L03-01-TF	1/4" FNPT	400	6.5
	L6C-L04-01-TF	L3C-L04-01-TF	1/4" FNPT	500	8.0
	L6C-L05-01-TF	L3C-L05-01-TF	1/4" FNPT	1000	16.0

METER SIZE	MODEL NUMBER		CONNECTION	MAXIMUM FLOW	
	BUILT IN VALVE	NO VALVE		[Lpm] WATER	[gph] WATER
D	L6D-L06-01-TF	L3D-L06-01-TF	3/8" FNPT	2.0	31.0
	L6D-L07-01-TF	L3D-L07-01-TF	3/8" FNPT	2.5	40.0
	L6D-L08-01-TF	L3D-L08-01-TF	3/8" FNPT	3.0	47.5
	L6D-L09-01-TF	L3D-L09-01-TF	3/8" FNPT	5.0	80.0

L STYLE HIGH RANGE METERS

METER SIZE	MODEL NUMBER		CONNECTION	MAXIMUM FLOW	
	BUILT IN VALVE	NO VALVE		[L/min] WATER	[gpm] WATER
E	L6E-L10-01-TF	L3E-L10-01-TF	1/2" FNPT	13	3.4
	L6E-L11-01-TF	L3E-L11-01-TF	1/2" FNPT	20	5.25
F	L6F-L12-01-TF	L3F-L12-01-TF	3/4" FNPT	30	8.0
	L6F-L13-01-TF	L3F-L13-01-TF	3/4" FNPT	40	10.5
	L6F-L14-01-TF	L3F-L14-01-TF	3/4" FNPT	45	12.0

SPECIFICATIONS

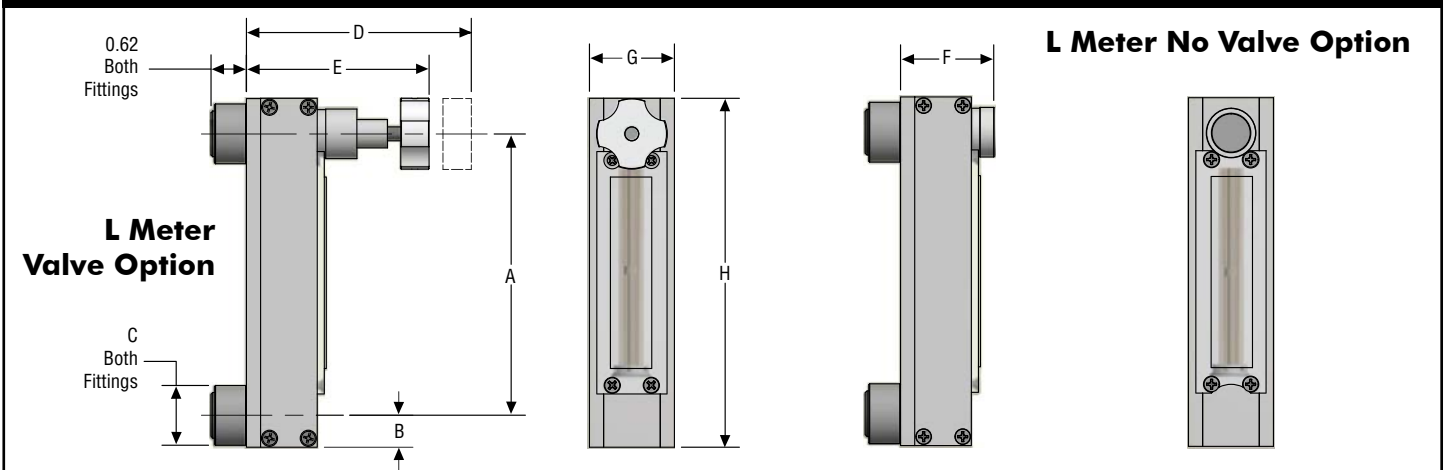
SCALES	Direct reading scales for liquids with 1.0 specific gravity.
ACCURACY	±5% of full scale.
MAXIMUM TEMPERATURE	250 °F (121 °C).
MAXIMUM PRESSURE	100 psig (6.7 bars).
LEAK INTEGRITY	Individually pressure and leak tested and certified to a rating of 1 x 10 ⁻⁷ sccs of Helium.

**MATERIALS OF CONSTRUCTION

FLOW TUBES	PTFE
FITTINGS	PTFE
FLOATS	PTFE (Sapphire for size 01)
GUIDE RODS	PCTFE

***The selection of materials of construction, is the responsibility of the customer. The company accepts no liability.*

MOUNTING DIMENSIONS



DIMENSIONS FOR L STYLE METERS

METER SIZE	A	B	C	D	E	F	G	H	SCALE LENGTH
C	4.97	0.56	0.812	3.42	3.22	1.65	1.50	6.16	75mm
D	4.97	0.56	1.00	4.72	4.32	1.95	1.75	6.16	75mm
E	8.72	0.88	1.50	4.64	4.14	2.25	2.25	10.47	125mm
F	8.47	1.00	1.50	6.00	5.06	2.80	2.50	10.47	125mm

NOTE: Aalborg® reserves the right to change designs and dimensions at its sole discretion at any time without notice. For certified dimensions please contact Aalborg®.