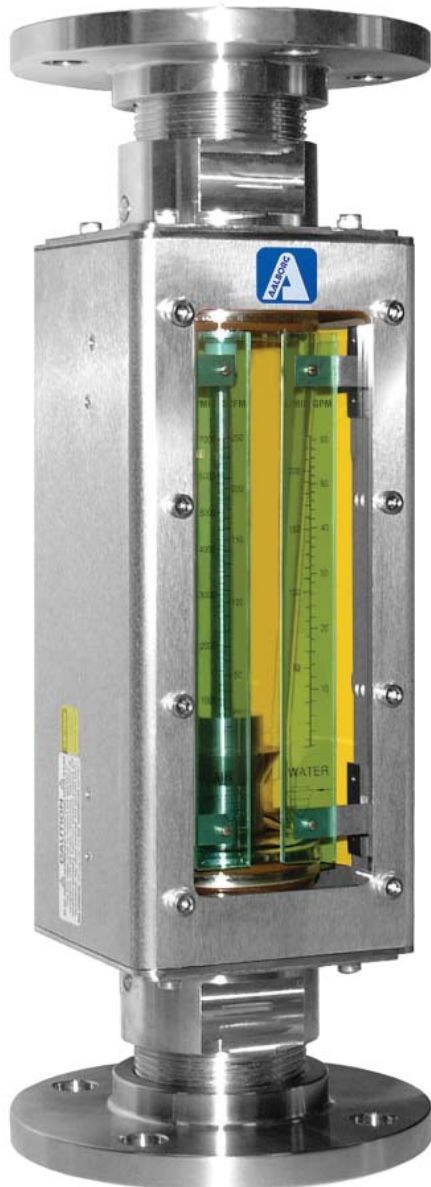


design features

- ✓ Heavy duty stainless steel.
- ✓ Thick polycarbonate safety shields.
- ✓ Fluted or plain tapered tubes.
- ✓ Direct reading metric and English system scales.
- ✓ Unique design facilitates ease of maintenance cleaning processes.

Heavy-duty flow meters are fully enclosed in a brushed stainless steel case. Ideal for industrial applications with flow rates of up to 116 GPM / 440 L/min and 250 SCFM / 7080 L/min. Used for flow measurements of liquids (water) and gases (air).



**Flanged
M Style Meter**

Meters are graduated for direct reading of water and air. Flow meters come with FNPT or flanged end fittings for easy in-line installation. Wetted parts include borosilicate glass flow tubes, Viton® o-rings, and 316 Stainless steel fittings, guide rods, floats and float stops.



**In Line
M Style Meters**

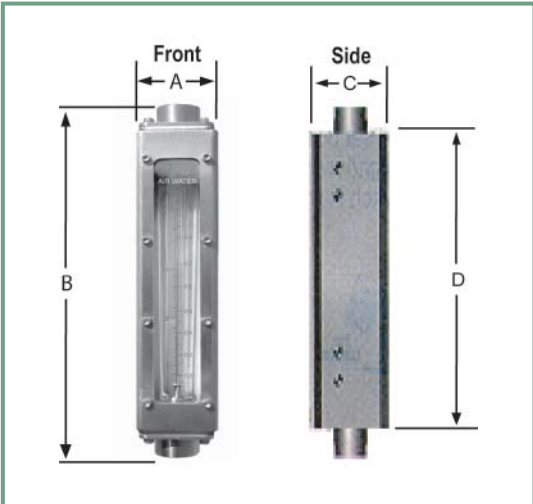
SPECIFICATIONS

ACCURACY	±3% of full scale.
MINIMUM FLOW RATE	Approximately 10% of maximum flow rate.
REPEATABILITY	±0.5% of full scale.
MAXIMUM PRESSURE AT 200 °F (93 °C)	200 PSIG / 13.6 bar gauge (tube size 3, 4, 5 and 6). 125 PSIG / 8.5 bar gauge (tube SIZE 8 and 9).
MAXIMUM OPERATING TEMPERATURE	200 °F (93 °C).

**MATERIALS OF CONSTRUCTION

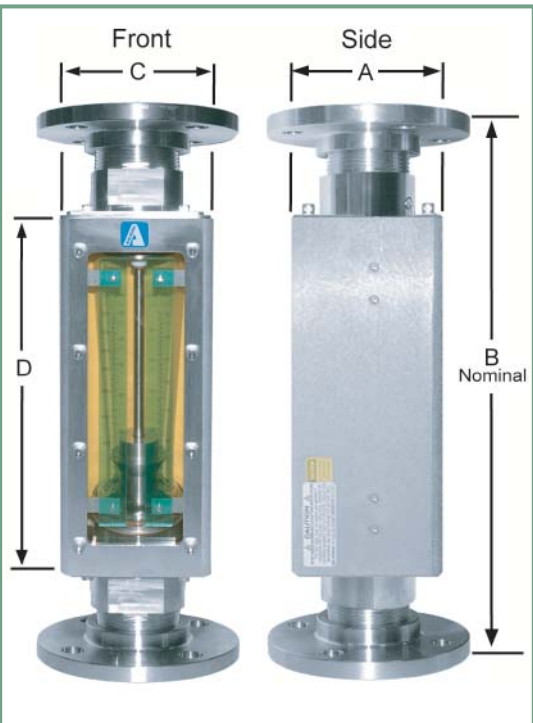
FLOW TUBES	Heavy walled borosilicate glass.
FITTINGS IN CONTACT WITH FLUIDS	316 Stainless Steel.
FRONT SHIELD	Thick clear polycarbonate and white acrylics.
O-RINGS	Viton®.
OPTIONAL	PTFE/ Kalrez®, EPR.
CONNECTIONS	IN LINE: 1/2", 1-1/2", 2", NPT. 150 ANSI FLANGED: 3/4", 1-1/2", 2-1/2".

***The selection of materials of construction, is the responsibility of the customer. The company accepts no liability.*



DIMENSIONS FOR IN-LINE M STYLE METERS

NPT (F)	A	B	C	D
1/2"	2	9.54	2.25	8.04
1"	3.5	13.69	3.75	10.50
2"	5	15.59	5.25	11.55



DIMENSIONS FOR FLANGED M STYLE METERS

Flange Size	A	B (Nominal)	C	D
3/4"	2	9.58	2.25	8.04
1 1/2"	3.5	14.15	3.75	10.50
2 1/2"	5	17.98	5.25	11.55

IN LINE M STYLE METERS

CATALOG NUMBER	MAX FLOW RATE				PRESSURE DROP (OF H ₂ O)	TUBE SIZE	NPT CONNECTION
	WATER [GPM]	AIR [SCFM]	WATER [L/min]	AIR [L/min]			
MS-VJ-M01-02-ST	0.25	1.2	.95	35	3	3	1/2"
MS-VJ-M02-02-ST	0.36	1.9	1.3	54	3	3	
MS-VJ-M03-02-ST	0.76	3.3	3.0	90	7	3	
MS-VJ-M04-02-ST	1.0	4.2	3.8	120	8	4	
MS-VJ-M05-02-ST	1.5	6.5	5.6	180	11	4	
MS-VJ-M06-02-ST	2.2	8.5	8.2	250	14	4	
MS-VK-M07-02-ST	3.8	16	14	480	14	5	1"
MS-VK-M08-02-ST	5.0	22	18	650	20	5	
MS-VK-M09-02-ST	6.0	25	22	725	7	6	
MS-VK-M10-02-ST	7.4	34	27.5	950	8	6	
MS-VK-M11-02-ST	9.6	40	36	1200	14	6	
MS-VK-M12-02-ST	11	47.5	42	1400	18	6	
MS-VK-M13-02-ST	15	62.5	52.5	1800	34	6	2"
MS-VL-M15-02-ST	22	90	85	2550	23	8	
MS-VK-M16-02-ST	25	-	95	-	99	6	1"
MS-VQ-M17-02-ST	41	170	155	4600	7	9	2"
MS-VL-M18-02-ST	44	180	165	5000	42	8	
MS-VQ-M19-02-ST	60	250	230	7000	23	9	
MS-VL-M20-02-ST	62	250	230	7000	70	8	
MS-VQ-M21-02-ST	86	-	320	-	35	9	
MS-VQ-M22-02-ST	116	-	440	-	56	9	

FLANGED M STYLE METERS

CATALOG NUMBER	MAX FLOW RATE				PRESSURE DROP (OF H ₂ O)	TUBE SIZE	FLANGE CONNECTION
	WATER [GPM]	AIR [SCFM]	WATER [L/min]	AIR [L/min]			
MS-VR-M01-02-ST	0.25	1.2	.95	35	3	3	3/4"
MS-VR-M02-02-ST	0.36	1.9	1.3	54	3	3	
MS-VR-M03-02-ST	0.76	3.3	3.0	90	7	3	
MS-VR-M04-02-ST	1.0	4.2	3.8	120	8	4	
MS-VR-M05-02-ST	1.5	6.5	5.6	180	11	4	
MS-VR-M06-02-ST	2.2	8.5	8.2	250	14	4	
MS-VS-M07-02-ST	3.8	16	14	480	14	5	1 1/2"
MS-VS-M08-02-ST	5.0	22	18	650	20	5	
MS-VS-M09-02-ST	6.0	25	22	725	7	6	
MS-VS-M10-02-ST	7.4	34	27.5	950	8	6	
MS-VS-M11-02-ST	9.6	40	36	1200	14	6	
MS-VS-M12-02-ST	11	47.5	42	1400	18	6	
MS-VS-M13-02-ST	15	62.5	52.5	1800	34	6	2 1/2"
MS-VT-M15-02-ST	22	90	85	2550	23	8	
MS-VS-M16-02-ST	25	-	95	-	99	6	1 1/2"
MS-VU-M17-02-ST	41	170	155	4600	7	9	2 1/2"
MS-VT-M18-02-ST	44	180	165	5000	42	8	
MS-VU-M19-02-ST	60	250	230	7000	23	9	
MS-VT-M20-02-ST	62	250	230	7000	70	8	
MS-VU-M21-02-ST	86	-	320	-	35	9	
MS-VU-M22-02-ST	116	-	440	-	56	9	