

Made entirely of PTFE, PFA, and PCTFE, the *Model F* flow meter is excellent for high-purity applications or use with corrosive liquids.

Units are available with a standard valve to monitor and control flow or without a valve to just monitor flow.

Flow meters are individually tested on a Mass Spectrometer Leak Detector and certified to a leak integrity rating of 1×10^{-7} sccs Helium or better.

design features

- ✓ Chemically inert wetted components.
- ✓ Removable protective shield.
- ✓ Individually leak tested.

SPECIFICATIONS

| | |
|----------------------------|---|
| SCALES | 0 to 10 markings. |
| ACCURACY | ±5% of full scale. |
| MAXIMUM TEMPERATURE | 250 °F (121 °C). |
| MAXIMUM PRESSURE | 100 psig (6.7 bars). |
| LEAK INTEGRITY | Individually, leak tested and certified to a rating of 1×10^{-7} sccs of Helium. |

**MATERIALS OF CONSTRUCTION

| | |
|---------------------|---|
| TUBE SHIELDS | Polycarbonate. |
| FLOW TUBES | PFA. |
| FLOATS | PTFE. |
| WETTED PARTS | PTFE end fittings. PCTFE guide rods. |



** The selection of materials of construction, is the responsibility of the customer. The company accepts no liability.

F

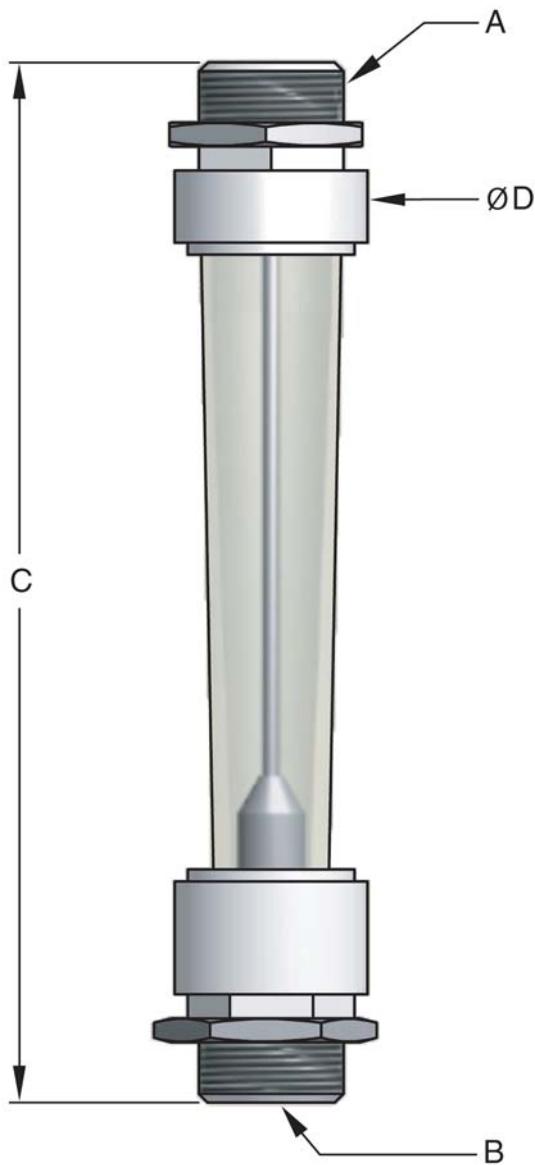
IN LINE PTFE FLOW METER

**F STYLE IN LINE PTFE FLOW METER
DIMENSIONS NO VALVE OPTION**

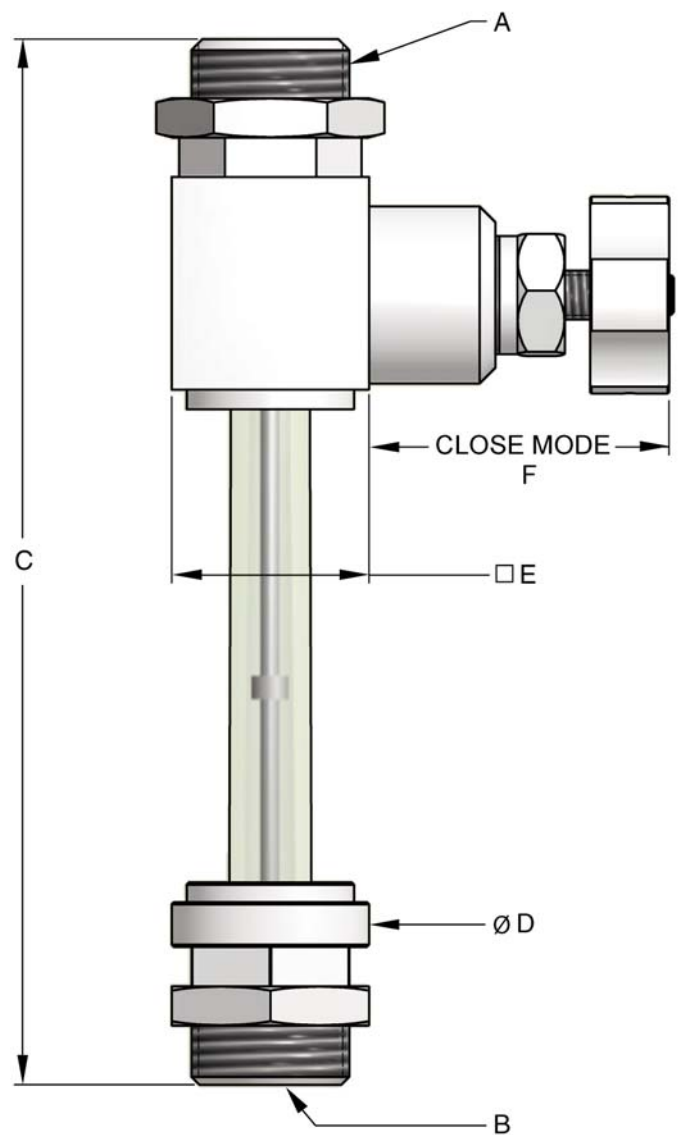
| | A | B | C | D |
|------------|---------------|----------|----------------------|--------------------|
| F3C | 1"-12 UNF | 1/4 FNPT | 5.52" (140,2 mm) | 1.25" (31,8 mm) |
| F3D | 1"-12 UNF | 3/8 FNPT | 5.52" (140,2 mm) | 1.25" (31,8 mm) |
| F3E | 1-1/2"-12 UNF | 1/2 FNPT | 10.81" (274,6 mm) | 2.00" (50,8 mm) |
| F33 | 1-1/2"-12 UNF | 3/4 FNPT | 10.81" (274,6 mm) | 2.00" (50,8 mm) |

**F STYLE IN LINE PTFE FLOW METER
DIMENSIONS VALVE OPTION**

| | A | B | C | D | E | F |
|------------|---------------|----------|----------------------|--------------------|--------------------|--------------------|
| F6C | 1"-12 UNF | 1/4 FNPT | 5.52" (140,2 mm) | 1.25" (31,8 mm) | 1.25" (31,8 mm) | 1.88" (47,8 mm) |
| F6D | 1"-12 UNF | 3/8 FNPT | 5.52" (140,2 mm) | 1.25" (31,8 mm) | 1.25" (31,8 mm) | 1.88" (47,8 mm) |
| F6E | 1-1/2"-12 UNF | 1/2 FNPT | 10.81" (274,6 mm) | 2.00" (50,8 mm) | 2.00" (50,8 mm) | 1.88" (47,8 mm) |
| F6F | 1-1/2"-12 UNF | 3/4 FNPT | 10.81" (274,6 mm) | 2.00" (50,8 mm) | 2.00" (50,8 mm) | 1.88" (47,8 mm) |



**In Line PTFE Flow Meter
No Valve Option**



**In Line PTFE Flow Meter
Valve Option**



F STYLE LOW RANGE METERS

| MODEL NUMBER | | CONNECTION | MAXIMUM FLOW | |
|----------------|---------------|------------|----------------|-------------|
| BUILT IN VALVE | NO VALVE | | [mL/min] WATER | [gpm] WATER |
| F6C-F01-01-TF | F3C-F01-01-TF | 1/4" FNPT | 125 | 1.98 |
| F6C-F02-01-TF | F3C-F02-01-TF | 1/4" FNPT | 125 | 3.96 |
| F6C-F03-01-TF | F3C-F03-01-TF | 1/4" FNPT | 400 | 6.34 |
| F6C-F04-01-TF | F3C-F04-01-TF | 1/4" FNPT | 500 | 7.92 |
| F6C-F05-01-TF | F3C-F05-01-TF | 1/4" FNPT | 1000 | 15.85 |
| F6D-F06-01-TF | F3D-F06-01-TF | 3/8" FNPT | 2000 | 31.69 |
| F6D-F07-01-TF | F3D-F07-01-TF | 3/8" FNPT | 2500 | 39.62 |
| F6D-F08-01-TF | F3D-F08-01-TF | 3/8" FNPT | 3000 | 47.54 |
| F6D-F09-01-TF | F3D-F09-01-TF | 3/8" FNPT | 5000 | 79.23 |

F STYLE HIGH RANGE METERS

| MODEL NUMBER | | CONNECTION | MAXIMUM FLOW | |
|----------------|---------------|------------|---------------|-------------|
| BUILT IN VALVE | NO VALVE | | [L/min] WATER | [gpm] WATER |
| F6E-F10-01-TF | F3E-F10-01-TF | 1/2" FNPT | 13 | 3.43 |
| F6E-F11-01-TF | F3E-F11-01-TF | 1/2" FNPT | 20 | 5.28 |
| F6F-F12-01-TF | F3F-F12-01-TF | 3/4" FNPT | 30 | 7.93 |
| F6F-F13-01-TF | F3F-F13-01-TF | 3/4" FNPT | 40 | 10.57 |
| F6F-F14-01-TF | F3F-F14-01-TF | 3/4" FNPT | 45 | 11.89 |